



警告

- 未成人需成人陪伴操作。
- 使用電動槍時需配戴護目鏡。
- 粗心或濫用電動槍容易造成自己及他人身體上的傷害。
- 不能將槍口對人或動物。
- 操作電動槍前請確實研讀使用說明書。
- 買家及玩家購買,使用電動槍需遵守各國當地法令與規定。
- 槍使用完畢請拔除電池。

- 電池充電完畢後請拔除充電線。
- 請勿靠近火源或高溫處。

TW



WARNING

- Product is intended for adults 18 years and older.
- Wear proper eye protection while shooting.
- Misuse may cause injury or death.
- The muzzle of an airsoft gun should never be pointed at someone to cause injury.
- Read this entire manual to ensure proper usage.
- Buyers and users should obey the laws and rules of the local authority.
- Remove the battery from the product when it is not in use.

- Turn off charger when batteries are fully charged.
- Risk of fire and burns.

EN



ATENCIÓN

- Si el jugador o jugadores tienen menos de 18 años se les requerirá ir acompañados de un mayor de edad que se responsabilice del menor en todo momento.
- Durante la práctica del Airsoft, es obligatorio llevar gafas de protección ocular acorde a las normativas vigentes en todo momento.
- El uso descuidado o indebido del Airsoft puede causar fácilmente daños a sí mismo y a los que le rodean.
- No se debe apuntar a personas o animales.
- Lea bien los manuales que acompañan las réplicas antes de empezar a usarlas para practicar Airsoft.
- Los poseedores de réplicas de Airsoft deben seguir estrictamente las leyes y regulaciones locales vigentes en el país de residencia o uso de las mismas, e informarse debidamente en los puntos de venta o autoridades del país antes de comprar y utilizar cualquier réplica de airsoft.
- Retire la batería del producto cuando no esté en uso.
- Apague el cargador cuando la batería este totalmente cargada.
- Riesgo de incendio y quemaduras.

ES



ATTENTION

- Ce produit est réservé aux utilisateurs de 18 ans et plus.
- Toujours porter des protections oculaires adaptées lors de l'utilisation du produit.
- La mauvaise utilisation de ce produit peut causer des blessures graves ou la mort.
- Ne jamais pointer le canon de la réplique sur quelqu'un pour causer des blessures.
- Lire attentivement le mode d'emploi avant d'utiliser ce produit.
- L'acheteur et l'utilisateur de ce produit doivent se conformer aux lois du pays qui réglementent l'usage et la possession de répliques airsoft.
- Retirez la batterie du produit lorsque vous ne l'utilisez pas.

- Éteignez le chargeur lorsque les batteries sont complètement chargées.
- Risque d'incendie et de brûlures.

FR

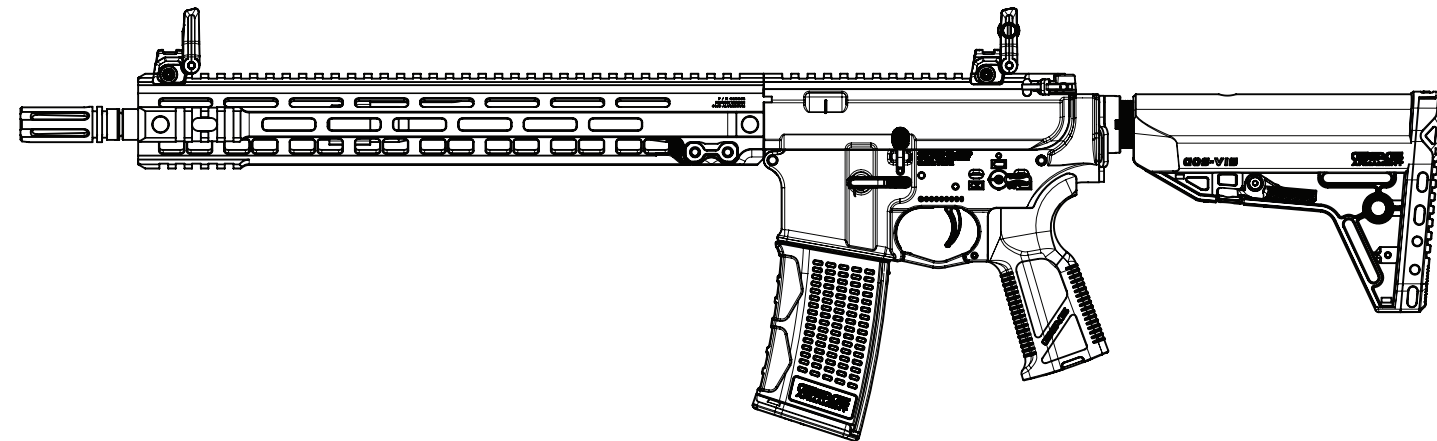


警告

- 対象年齢18才以上。
- 弾を発射する際は、必ず安全なゴーグルを装着してください。
- 不用意に引き金を引くと非常に危険です。
- 50m以内は危険です。
- 取扱説明書は最後まで必ずお読み下さい。
- 購入者及び販売者は、エアガンの使用及び所有に関するすべての現地法律に準ずる。
- ゲームが終わりましたら、バッテリーをコネクターから取り外してください。

- 長い間保管していたバッテリーは、充電前にリフレッシュ充電を行ないましょう。充電器をオフにします。
- 高温を避け、湿度の低い場所に保管します。火災や火傷の危険があります。

JP



# TR16 GMS MK2 15"

TW 說明書 | 01-06 EN Operating Instructions | 07-12 ES Instrucciones de operación | 13-18 FR Mode d'emploi | 19-24 JP 取扱説明書 | 25-30



**G&G**  
ARMAMENT

TAIWAN ChangHua  
(Head Quarter)  
Sales Dept.  
Technology Dept.

Tel : +886-4-798-9000 Fax : +886-4-798-9900  
No.999, Zhonghua Rd. Shengang Township, Changhua County 50952, Taiwan (R.O.C.)  
sales@guay2.com, b2b@guay2.com PR Dept. | pr@guay2.com  
support@guay2.com

G2-202401-00-多



【零件說明】



⚠ 注意事項

- 敬請搭配使用G&G生產之高精密度BB彈，確保槍枝最佳性能。
- 請勿使用無品質保證之廉價BB彈，將導致槍枝不可預期之卡彈、故障、零件損壞。
- 只能使用100%純度矽油保養，使用其他種類保養油可能導致塑膠、橡膠零件腐蝕。
- 請勿自行改造本槍零件，任何不當改造將喪失保固權利，並有可能觸犯法令。
- 射擊前請務必戴上護目鏡。
- 本產品限18歲以上成年人使用。
- 請仔細閱讀本手冊確保正確操作。
- 50m射程以內具有一定的危險性。
- 電池容量過低時請停止射擊。

【GATE ASTER V2 SE使用扳機設定功能】



⚠ 扣板機會擊發一次，請於操作前清槍並拔除彈匣。

1. 進入設定主選單  
將單連發選擇鈕切換成單發模式，扣住扳機7秒，直到發出一聲提示音及震動表示已進入設定主選單。同時在扳機前方也可觀察LED轉為深藍色。



2. 進入設定主選單後，每按一次扳機，會依序更改選單，請參考右方表格，依序選擇。



3. 確認選單後，將單連發選擇鈕切至連發位置並進入模式設定。在模式設定中，每扣一次扳機即會依序變更選項，請參閱右方表格選擇需求的模式。



4. 確認設定模式後，將單連發選擇鈕切至單發位置儲存模式。



5. 將單連發選擇鈕切至保險位置，退出設定主選單。

使用扳機設定

單發位置		連發位置	
中國代表震動次數和LED燈顏色	1 射擊模式	1 保險-單發-連發	1 關
	2 活塞預拉	2 保險-單發-雙動	2 預拉程度低
		3 保險-單發-單發	3 預拉程度中
		4 保險-單發-三點放	4 預拉程度高
		5 GCS 設定**	5 GCS 設定**
3 電池保護	1 關	1 關	
	2 LiPo電池	2 LiPo電池	
	3 LiPo電池在3.2V時警告	3 LiPo電池在3.2V時警告	
	4 GCS 設定**	4 GCS 設定**	
	5 GCS 設定**	5 GCS 設定**	
4 馬達主動煞車	1 自適應	1 自適應	
	2 100%	2 100%	
	3 60%	3 60%	
	4 關	4 關	
	5 GCS 設定**	5 GCS 設定**	
5 進階*	1 故障代碼	1 故障代碼	
	2 清除故障代碼	2 清除故障代碼	
	3 恢復預設設定	3 恢復預設設定	
	4 恢復原廠設定	4 恢復原廠設定	
	5 設定扳機靈敏度	5 設定扳機靈敏度	

\* 進階選單中的模式儲存方式為連發位置扣住扳機3秒以上，待發出確認音後完成，非切至單發位置。在設定扳機靈敏度時，扣住扳機3秒以上，待發出確認音後，再緩扣扳機至發出確認音以及橘色LED時，為現行的扳機行程，依使用者需求將扳機扣至理想位置後同時將單連發選擇鈕切至單發儲存扳機行程，此過程請勿放開扳機，並切至保險離開選單。

\*\* GCS設定為在GCS應用程式中自定義之設定。



線上使用說明



**[射擊模式]**  未射擊前請關上保險。



關保險 - 槍枝無法擊發



半自動 - 單發射擊



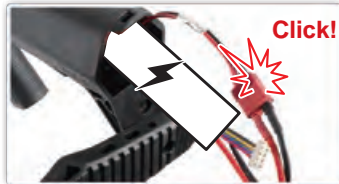
全自動 - 連發射擊

**[安裝電池 & 槍托調整]**

 請勿使用放電係數超過25C的鋰電池。



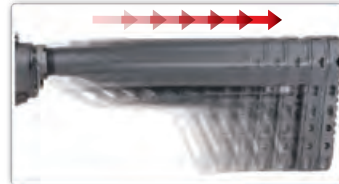
按下槍托後蓋上方的卡榫後逆時針轉後蓋。



確實接上電池接頭。



壓下伸縮托釋放鈕。



調整適合之槍托長度 (可6段調整)。

**[裝填彈匣]**




卸下彈匣。



使用填彈器將BB彈塞入彈匣。



裝入彈匣時確實聽到“喀”一聲。

 敬請搭配使用G&G生產之高精密度BB彈，確保槍枝最佳性能。請勿使用無品質保證之廉價BB彈，將導致槍枝不可預期之卡彈、故障、零件損壞。

**[準星調整]**



上掀或折疊



星尖旋鈕 (上/下調整)




上掀或折疊

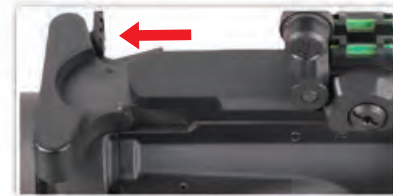


照門旋鈕 (左/右調整)

**[照門調整]**

**[槍機拉柄 & 彈道調整 & 槍機釋放]**

 彈道HOP-UP調整旋鈕位於拋殼孔內，調整時請小心槍機飾片夾傷手指。請勿側面持槍射擊，避免BB彈左右偏離。






槍機拉柄往後拉開槍機防塵蓋。



向上或向下推動內腔調整彈道。



按下按鈕槍機即可歸位。

-  彈著偏高 (朝釋放方向調整彈道至最佳彈著點)
-  最佳彈著
-  彈著偏低 (朝下壓方向調整彈道至最佳彈著點)

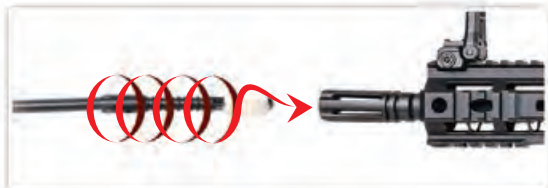




## 【槍管清潔】



1. 將通槍條纏妥清潔布料，滴上砂油數滴。

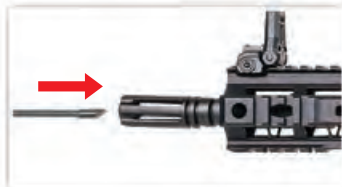


2. 將通槍條插入內管，旋轉通槍條帶出髒汗，重複以上步驟直到內管清潔。

## 【卡彈排除】



取下彈匣。



將HOP下壓撥回釋放位置，由槍管前端插入通槍條。



確認通槍條斜面朝下直插到底，移除堵塞BB彈。

## 【故障排除】



如齒輪發出尖銳聲響  
請使用螺絲起子調整握把底部螺絲。



無作動  
檢查馬達連接線(需卸下底板)。



無作動  
檢查電池是否接受，確認電池已經充飽。

## 【保養維護】



- ▲ 確認槍膛中完全清潔避免卡彈。
- ▲ 正常使用砂油保養下，約射擊2-300發後，Hop-up會略有不穩定，屬正常現象，重新調整即可。
- ▲ 嚴禁使用CRC-556,WD40，或其他具腐蝕性的潤滑油品。

## 【故障排除】

項目	原因	解決方式
完全無作動	射擊選擇鈕置於保險位置。	射擊選擇鈕置於保險位置。
	電池沒有充電。	更換電池。
	電池接頭脫落。	接好接頭。
	電池正負極接反。	確認正負極位置再接上。
馬達作動但無法擊發	超過馬達壽限(約5-6萬發)或馬達線接觸不良。	更換馬達(可直接向當地經銷商或G&G購買)。檢修馬達線接頭。
	BB彈堵塞在彈匣中。 BB彈堵塞在內膛中。	使用通槍條清理彈匣，移除堵塞之BB彈。 使用通槍條移除堵塞之BB彈。
無法全自動操作(自動射擊)	齒輪毀損。	洽詢經銷商或G&G購買新齒輪替換。
	電力不足。	更換電池。
射程變短	彈匣上彈問題。	修復彈匣堵塞。
	接觸不良。	洽詢經銷商或G&G維修保養。
	內膛損壞或磨損。	更換零件(請向經銷商或G&G購買)。
	活塞總成損壞或磨損(O環,活塞彈簧)。	
	內管堵塞。	使用通槍條清理內管。
操作聲變大	不適合的BB彈(太小或太重)。	使用G&G生產之高精度BB彈。
	沒有砂油。	在內膛加入些許砂油。
	過度頻繁的空發導致齒輪問題。	
	齒輪損壞或磨損。	洽詢經銷商或G&G維修保養，更換零件(齒輪...等)。
BB彈自槍管掉出	過度頻繁的空發導致齒輪問題。	
	內膛總成損壞或磨損。	
泡水槍	沒有設置Hop。	調整hop位置。
	不適合的BB彈(太小或太重)。	使用G&G生產之高精度BB彈。

## 【免責聲明】

- ▶ 產品不一定包含照片中所有配件。
- ▶ 未成年人使用時一定要有成年人在旁監督。
- ▶ 買家及使用者必須完全遵守當地關於空氣槍的所有法律規定。

- ▶ 本操作手冊中所有產品僅為仿真造型，無任何真實武器功能性、設計意圖，亦不可與真實武器共同比照。
- ▶ 產品中所有G&G商標，均無接受任何真實武器、彈藥公司贊助、協助，亦無任何關連。
- ▶ 實際產品與照片有落差可能性。

## [COMPONENTS]



### ⚠ WARNING

- We recommend using G&G Armament high precision BB's on all G&G Armament guns to ensure proper feeding and performance.
- Using low quality BBs may jammed the gun and cause malfunction or damage the internal parts.
- For maintenance, apply the silicon oil on air nozzle, do not use other types of corrosive oil.
- Do not adjust the motor without authorization or by a certified technician.
- Always wear safety goggles when using this product.
- Product is intended for adults 18 years and older.
- Read this entire manual to ensure proper usage.
- May be hazardous up to 50 meters.
- Stop shooting when the battery power is low.

## [SETTING GATE ASTER V2 SE WITH TRIGGER]



⚠ Pulling the trigger will fire the gun, please remove the magazine and clear the gun before operation.

1. Entering the Setting Menu  
First switch to SEMI, hold the trigger for 7 sec, when it beeps once & vibrates, it means you've entered the Menu. Also you'll see the LED in front of the trigger turn a deep blue.



2. After entering the Setting Menu, every trigger pull cycles it through the different menus in descending order, as seen on the list on the right.



3. When you've confirmed the Setting Menu you want to enter, switch to AUTO to enter Setting Mode. In Setting Mode, every trigger pull cycles the different Mode options in descending order, as seen on the list on the right.



4. After confirming the selected Mode, switch back to SEMI to save you current option.



5. Switch back to SAFE to leave the Setting Menu.

## PROGRAMMING VIA TRIGGER

SEMI POSITION		AUTO POSITION	
FUNCTION WITH CORRESPONDING NUMBER OF VIBRATIONS AND LED COLOR	1 Fire Mode	1	SAFE-SEMI-AUTO
		2	SAFE-SEMI-BINARY
		3	SAFE-SEMI-SEMI
		4	SAFE-SEMI-BURST
		5	GCS Setting**
2 Pre-Cocking	2	1	OFF
		2	LOW
		3	MID
		4	HIGH
		5	GCS Setting**
3 Battery Protection	3	1	OFF
		2	LiPo
		3	LiPo 3.2V Warning
		4	GCS Setting**
		5	GCS Setting**
4 Active Brake	4	1	Adaptive
		2	100%
		3	60%
		4	OFF
		5	GCS Setting**
5 Advanced*	5	1	DTC
		2	Clear DTC
		3	Restore Default Settings
		4	Restore Factory Settings
		5	Set Trigger Sensitivity

\* To save your current setting in the Advanced Menu, hold the trigger for more than 3sec in AUTO, wait till it beeps to confirm your setting, instead of just switching to SEMI. When setting trigger sensitivity, hold the trigger for more than 3sec, after the confirmation beep, release and slowly pull again, when arriving at the currently set trigger position it will beep and show orange LED, to set your desired trigger sensitivity, press&hold the trigger to the position where you want the threshold to be, then switch to SEMI to save, switch to SAFE to leave the Menu.

\*\* GCS setting is a setting previously defined in GCS app.



SCAN FOR ONLINE INSTRUCTION





### [FIRING MODE & SAFETY]

⚠ Always keep the safety on if not ready to shoot.



**Safety On** - The gun will not fire.



**Semi Auto** - Single shot.



**Full Auto** - Automatic firing.

### [INSTALLING THE BATTERY & STOCK ADJUSTMENT]

⚠ Do not use batteries with discharge rate above 25C.



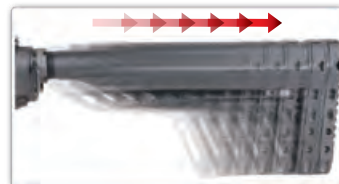
Press the button on the stock tube cap to remove it.



Connect battery until it clicks into place.



Press the stock release lever to unlock.



Adjust the position (6 positions).

### [SETTING MAGAZINE]



Remove the magazine.



Continue load BBs until it is full.



Insert the magazine into the airsoft gun until it clicks into place.

⚠ It is strongly recommended to use G&G Armament high precision BB's only. Using low quality BB pellets will shorten product life and void product warranty.

### [FRONT SIGHT ADJUSTMENT]



Flip up or fold down.



Elevation knob (up / down adjustment).

### [REAR SIGHT ADJUSTMENT]



Flip up or fold down.



Windage knob (left / right adjustment).

### [CHARGING HANDLE & HOP-UP ADJUSTMENT & BOLT RELEASE]

⚠ Don't catch your fingers in the dummy bolt. Never hold the gun sideways as the BB pellets will curve right or left.



Pulling the charging handle will take the bolt back and open the port cover.



Turn the adjustment dial to adjust hop-up.



Press the bolt catch button to release the bolt.

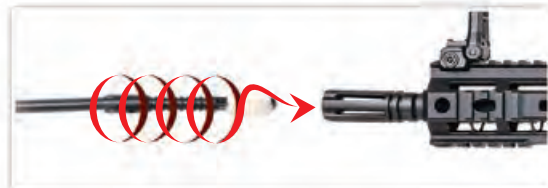
- ⊗ Too much Hop-up ( Turn the adjust lever toward Normal ).
- Best Position
- ⊗ Not enough Hop-up ( Turn the adjust lever toward Hop ).



### [CLEANING THE BARREL]



1. Place a few drops of silicone oil or teflon oil on the cleaning cloth and wind around the rod.

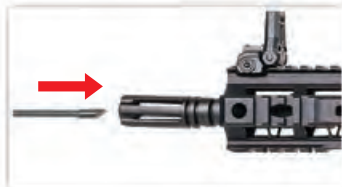


2. Insert the cleaning rod into the inner barrel, turning the rod as you insert. Repeat same steps until barrel is clean.

### [UNJAM]



Remove the magazine.



Return the hop up dial to normal position and insert the cleaning rod from the lead edge of the inner barrel.



Be sure to have the rod facing down and reaching to the end. Remove clogged pellets.

### [TROUBLESHOOTING]



**Adjust screw when the gear noise becomes shrilly.** Use a screwdriver to adjust the screw at the bottom of the grip.



**No operation.** Check the wire set contact on the motor.



**No operation.** Make sure the battery is fully charged.

### [MAINTENANCE]



- ⚠ Make sure no dirt gets into the chamber to avoid clogging of pellets.
- ▶ Hop-up may be unstable for 200 to 300 rounds after using silicone oil. This is the normal operation of the gun.
- ▶ Never use CRC-556, WD40, or other corrosive lubricants.

### [TROUBLESHOOTING]

SYMPTOM	POTENTIAL	CORRECTIVE
No operation at all	Selector lever is set to safety.	Set the selector lever to Semi or Full Auto.
	Battery is not charged.	Charge the battery.
	Battery connector is disconnected.	Connect the connector.
Although motor is revolving, no pellet can be fired	The ⊕ and ⊖ of battery connector is reversed.	Switch the batteries to the correct position.
	Expired motor life (50,000 to 60,000 rounds) or poor electrical connection.	Replace the dead motor (can be purchased from local dealer or directly from G&G). Check and repair the contacts.
	Pellets are clogged inside the magazine.	Insert the charging rod into the magazine and move up and down a few times to remove clogged pellets.
Impossible full-auto operation (automatic firing)	Pellets are clogged in the chamber.	Remove clogged pellets using the cleaning rod.
	Faulty gear.	Purchase the replacement gear from your dealer or G&G and repair.
	Insufficient battery power.	Charge the battery.
Shooting distance becomes shorter	Faulty pellet feed of magazine.	Repair clogging of the magazine.
	Poor electrical connection.	Consult your dealer or G&G for overhaul maintenance or repair.
	Damaged or worn chamber set.	Replace the replacement parts (purchase from your dealer or G&G)
	Damaged or worn piston set (O-ring, piston spring)	
	Something is jammed in the inner barrel	Use the cleaning rod and clean the inner barrel.
Faulty BB pellets (too small or heavy)	Use G&G Armament high precision BB's.	
Too loud operating noise	Shortage of silicone oil	Place a few drops of silicone oil onto the upper chamber.
	Gear problem caused by too many blank firing	Consult your dealer or G&G for overhaul maintenance, part replacement (gear, etc.) or repair.
Pellets being fallen out from barrel end	Worn or damaged gear	
	Gear problem caused by too many blank firing	
If gun gets wet	Damaged or worn chamber set.	Turn the hop adjustment lever toward Hop.
	No hop setting.	Use G&G Armament high precision BB's.
	Faulty BB Pellets (too small or heavy)	

### [DISCLAIMER]

- ▶ Accessories in the pictures are not always included with product.
- ▶ Adult supervision required for users under 18 years of age.
- ▶ The purchaser and user should conform to all laws governing the ownership of airsoft guns.
- ▶ All products in this manual are imitation firearms and are not intended nor represented to be comparable in design, appearance, or function to any actual firearm offered by other manufacturers.
- ▶ Product names are trademarks of G&G, which has no affiliation to, and is not associated, or sponsored by any manufacturer of actual or imitation firearms.
- ▶ Products may vary from those pictured.





**[COMPONENTES]**



**⚠️ ADVERTENCIA**

- Recomendamos usar balines G&G de alta precisión para asegurar la adecuada alimentación y desempeño.
- Usando balines de baja calidad puede causar atascos, mal funcionamiento o causar daños en las partes internas.
- Use solo Aceite de Silicona 100% para mantenimiento, otros aceites pueden contener ingredientes corrosivos los cuales pueden dañar los componentes de plástico y gomas.
- No ajuste el motor sin la debida autorización de un técnico certificado.
- Siempre use gafas de protección cuando maneje este producto.
- Este producto está diseñado para mayores de 18 años.
- Lea completamente el manual para asegurar su buen uso.
- Puede ser dañino a menos de 50 metros.
- Deje de disparar cuando la batería esté baja.

**[SETTING GATE ASTER V2 SE WITH TRIGGER]**



**⚠️** Pulling the trigger will fire the gun, please remove the magazine and clear the gun before operation.

1. Entering the Setting Menu  
First switch to SEMI, hold the trigger for 7 sec, when it beeps once & vibrates, it means you've entered the Menu. Also you'll see the LED in front of the trigger turn a deep blue.



2. After entering the Setting Menu, every trigger pull cycles it through the different menus in descending order, as seen on the list on the right.



3. When you've confirmed the Setting Menu you want to enter, switch to AUTO to enter Setting Mode. In Setting Mode, every trigger pull cycles the different Mode options in descending order, as seen on the list on the right.



4. After confirming the selected Mode, switch back to SEMI to save you current option.



5. Switch back to SAFE to leave the Setting Menu.

**PROGRAMMING VIA TRIGGER**

SEMI POSITION		AUTO POSITION	
FUNCTION WITH CORRESPONDING NUMBER OF VIBRATIONS AND LED COLOR	1 Fire Mode	OPTION WITH CORRESPONDING NUMBER OF VIBRATIONS AND LED COLOR	1 SAFE-SEMI-AUTO
			2 SAFE-SEMI-BINARY
			3 SAFE-SEMI-SEMI
			4 SAFE-SEMI-BURST
			5 GCS Setting**
2 Pre-Cocking	1 OFF		
	2 LOW		
	3 MID		
	4 HIGH		
	5 GCS Setting**		
3 Battery Protection	1 OFF		
	2 LiPo		
	3 LiPo 3.2V Warning		
	4 GCS Setting**		
	5 GCS Setting**		
4 Active Brake	1 Adaptive		
	2 100%		
	3 60%		
	4 OFF		
	5 GCS Setting**		
5 Advanced*	1 DTC		
	2 Clear DTC		
	3 Restore Default Settings		
	4 Restore Factory Settings		
	5 Set Trigger Sensitivity		

\* To save your current setting in the Advanced Menu, hold the trigger for more than 3sec in AUTO, wait till it beeps to confirm your setting, instead of just switching to SEMI. When setting trigger sensitivity, hold the trigger for more than 3sec, after the confirmation beep, release and slowly pull again, when arriving at the currently set trigger position it will beep and show orange LED, to set your desired trigger sensitivity, press&hold the trigger to the position where you want the threshold to be, then switch to SEMI to save, switch to SAFE to leave the Menu.

\*\* GCS setting is a setting previously defined in GCS app.



SCAN FOR ONLINE INSTRUCTION





### [MODOS DISPAROS Y SEGURO]

⚠ Siempre coloque en modo seguro si no está listo para disparar.



Modo seguro - La réplica no dispara



Semi Auto - Disparo sencillo



Automático - Disparo automático

### [AJUSTES DE CULATA & INSTALANDO LA BATERÍA]

⚠ No use baterías con velocidad de descargas sobre los 25C.



Presione el botón en la tapa del tubo de la culata para quitarlo.



Conecte la batería hasta escuchar un sonido "Click".



Presione el liberador para destrabar.



Ajuste la posición (6 posiciones).

### [AJUSTES DE CARGADOR]



Retire el cargador.



Llene el cargador con bolas.



Inserte el cargador hasta que escuche click.



Es altamente recomendado el uso de balines de precisión de G&G solamente. Usando balines de baja calidad puede acortar la vida del producto y eliminar la garantía.

### [AJUSTES DE MIRA DELANTERA]



Plegar y desplegar.



Perilla de elevación (ajuste hacia arriba y hacia abajo).



Plegar y desplegar.



Perilla corta vientos (Ajuste Izq./Der.)

### [AJUSTES MANIJA DE CARGA Y CERRANDO LA TAPA DEL PUERTO DE EYECCION Y AJUSTES HOP-UP]



Halando la manija de carga llevará el cerrojo atrás y abrirá la cubierta.



Gire el dial de ajuste hacia la izquierda o hacia la derecha para ajustar hop-up.



Botón para agarrar y liberar el cerrojo.

Dirección correcta.

❌ Mucho Hop-up (Gire el dial a normal).

❌ No mucho hop-up (Gire el dial a Hop).



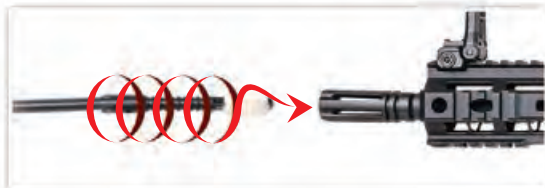
Trate de no aprisionar sus dedos en la imitación de cerrojo. Nunca dispare el arma de lado ya que los balines pueden curvar a la izquierda o derecha.



## [LIMPIANDO EL CAÑÓN]



1. Coloque algunas gotas de aceite de Silicona o aceite de teflón en un paño limpio e introduzca en la varilla.

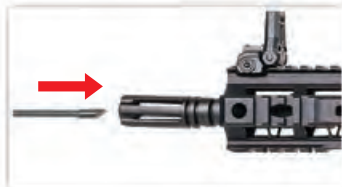


2. Inserte la varilla de limpieza dentro del cañón, girando cuando lo inserte. Repita hasta que esté limpio.

## [DESBLOQUEANDO]



Remueva el cargador.



Gire el dial de Hop-up a posición normal e inserte la varilla por la bocacha dentro del cañón.



Asegúrese de introducir la varilla con la parte segmentada hacia abajo. Remueva los balines atascados.

## [SOLUCIÓN DE PROBLEMAS]



**Ajuste el tornillo cuando los engranajes chirrien.**

Use un destornillador para ajustar el tornillo debajo de la empuñadura.



**No funciona.**

Revise los contactos del motor.



**No funciona.**

Asegúrese de que la batería tiene carga suficiente.

## [MANTENIMIENTO]



- ▶ Asegúrese de que la recámara no está sucia para evitar el atasco de balines.
- ▶ El Hop-up puede estar inestable por 200 o 300 rondas luego de usar el aceite de Silicona. Esto es normal en la operación de la réplica.
- ▶ Nunca use CRC'556, WD40 u otro lubricante corrosivo.

## [SOLUCIÓN DE PROBLEMAS]

SÍNTOMA	PROBLEMA POTENCIAL	POSIBLE SOLUCIÓN
No funciona	El selector puede estar colocado en modo seguro.	Coloque el selector en Semi o en Automático.
	La batería no está cargada.	Cargue la batería.
	Los conectores están desconectados.	Ajuste los conectores.
A pesar de que el motor funciona, no se pueden disparar los balines	El + y - de la batería están mal conectados.	Coloque los conectores correctamente (Revise el fusible).
	Motor agotado (50,000 o 60,000 rondas) o pobre conexión eléctrica.	Reemplace el motor dañado (puede ser comprado en su distribuidor local o directamente en G&G. Revise y repare los contactos.
	Balines atascados en el cargador.	Inserte la varilla de carga dentro del cargador y mueva hacia arriba y abajo varias veces para remover los balines atascados.
No opera el automático	Balines atascados en la recámara.	Remueva los balines atascados usando la varilla de limpieza.
	Caja de engranajes defectuosa.	Compre el reemplazo del engranaje en su distribuidor local o en G&G y repare.
	Insuficiente carga de batería.	Cargue la batería.
La distancia de disparo se hace corta	Llenado incorrecto del cargador.	Repare el atasco del cargador.
	Pobre conexión eléctrica.	Consulte su distribuidor o a G&G para mantenimiento general o reparación.
	Conjunto de recámara defectuoso o dañado.	Reemplace las partes (comprándolas en su distribuidor local o en G&G).
Ruido de operación alto	Conjunto de Pistón dañado o defectuoso (Sellos, Spring)	Use la varilla de limpieza y limpie el cañón interior.
	Algo atascado en el cañón interior.	Use balines genuinos G&G.
	Balines defectuosos (muy pequeños o pesados)	Eche varias gotas de aceite de silicona por encima de la recámara.
Balines fallan y salen por el cañón	Escasez de aceite de silicona.	
	Problemas de la caja de engranajes por disparos en seco.	
	Caja de engranajes dañada o defectuosa.	Consulte su distribuidor o a G&G para mantenimiento general, reemplazo de piezas (Engranajes, etc.) o reparación.
Si la réplica se moja	Problemas en la caja de engranajes por muchos disparos en seco.	
	Conjunto de recámara dañada o defectuosa.	
	No ajuste del hop.	Gire el dial de ajuste del hop-up hacia Hop.
	Balines defectuosos (muy pequeños o pesados)	Use los balines G&G.
	Detenga la operación inmediatamente, desconecte la batería, seque todas las partes internas y la batería. Después de completar el secado, trate de disparar. Si la unidad no funciona por favor contacte su distribuidor local para reparación.	

## [DESCARGO]

- ▶ Los accesorios en las fotos no siempre están incluidos con el producto.
- ▶ La supervisión de un adulto es requerida para usuarios menores de 18 años.
- ▶ El comprador y el usuario final deben obedecer todas las leyes y reglamentos locales acerca de la propiedad de réplicas de armas.
- ▶ Todos los productos en este manual son imitaciones de armas reales y no está representada a ser comparada en diseño, apariencia o funciones con ninguna arma actual ofrecida por otros fabricantes.
- ▶ Los nombres de los productos son marcas registradas de G&G, los cuales no tienen afiliación ni están asociados o patrocinados por ningún fabricante de imitaciones de armas.
- ▶ Productos pueden variar en la forma a los presentados en las fotos.





## [COMPOSANTS]



### ⚠️ PRECAUTION

- Il est fortement recommandé d'utiliser uniquement des billes de précision G&G.
- L'utilisation de billes de mauvaise qualité peut entraîner un bourrage, un dysfonctionnement ou l'endommagement des pièces internes.
- Pour l'entretien, appliquez de l'huile de silicone sur le nozzle et n'utilisez pas d'autres types d'huile corrosive.
- Ne réglez pas le moteur sans autorisation ou sans l'aide d'un technicien certifié.
- Portez toujours des protections oculaires adaptées lorsque vous utilisez ce produit.
- Ce produit est réservé aux utilisateurs de 18 ans et plus.
- Lisez attentivement le mode d'emploi avant d'utiliser ce produit.
- Risque de danger à moins de 50 mètres.
- Arrêtez de tirer lorsque la batterie est faible.

## [RÉGLAGE DU GATE ASTER V2 SE AVEC DÉTENTE]



⚠️ Pulling the trigger will fire the gun, please remove the magazine and clear the gun before operation.

1. Accès au menu de configuration  
 Passez d'abord en mode SEMI, maintenez appuyé la queue de détente pendant 7 secondes, lorsqu'elle émet un bip et vibre, cela signifie que vous êtes entré dans le menu. Vous verrez également la LED devant la queue de détente devenir bleu foncé.



2. Après être entré dans le menu de configuration, chaque pression sur la queue de détente fait défiler les différents menus par ordre décroissant, comme le montre la liste de droite.



3. Lorsque vous avez confirmé le menu de configuration auquel vous souhaitez accéder, passez en mode AUTO pour accéder au mode de configuration. En mode réglage, chaque pression sur la queue de détente fait défiler les différentes options de mode par ordre décroissant, comme indiqué dans la liste de droite.



4. Après avoir confirmé le mode sélectionné, revenez en mode SEMI pour enregistrer votre option actuelle.



5. Revenez en mode SÉCURITÉ pour quitter le menu de configuration.

## PROGRAMMATION AVEC LA QUEUE DE DÉTENTE

POSITION SEMI		POSITION AUTO		
FONCTION AVEC NOMBRE DE VIBRATION ET COULEUR DE LED CORRESPONDANT	1	Mode de tir	1	SÉCURITÉ-SEMI-AUTO
			2	SÉCURITÉ-SEMI-BINAIRE
			3	SÉCURITÉ-SEMI-SEMI
			4	SÉCURITÉ-SEMI-RAFALE
			5	Réglage GCS**
2	Pre-chargement	1	OFF	
		2	FAIBLE	
		3	MOYEN	
		4	ÉLEVÉ	
		5	Réglage GCS**	
3	Protection batterie	1	OFF	
		2	LiPo	
		3	LiPo 3.2V avertissement	
		4	Réglage GCS**	
		5	Réglage GCS**	
4	Frein actif	1	Adaptatif	
		2	100%	
		3	60%	
		4	OFF	
		5	Réglage GCS**	
5	Avancé*	1	DTC	
		2	Effacer DTC	
		3	Restaurer les paramètres par défaut	
		4	Restaurer les paramètres d'usine	
		5	Régler la sensibilité de la détente	

\* Pour enregistrer votre paramètre actuel dans le menu avancé, maintenez la queue de détente appuyée pendant plus de 3 secondes en mode AUTO, attendez le bip sonore pour confirmer votre paramètre, au lieu de simplement passer en mode SEMI. Lors du réglage de la sensibilité de la détente, maintenez la queue de détente appuyée pendant plus de 3 secondes, après le bip de confirmation, relâchez et tirez lentement à nouveau, lorsque vous arrivez à la position de détente actuellement définie, il émettra un bip et affichera une LED orange, pour régler la sensibilité de détente souhaitée, appuyez et maintenez la détente à la position où vous souhaitez que le seuil soit, puis passez sur mode SEMI pour enregistrer, passez sur mode SAFE pour quitter le menu.

\*\* Le paramètre GCS est un paramètre préalablement défini dans l'application GCS.



SCANNER POUR LES INSTRUCTIONS EN LIGNE



### [MODE DE TIR ET SECURITE]

⚠️ Toujours garder la sécurité active si vous n'êtes pas prêt à tirer.



Sécurité - ne tire pas



Semi Auto - tir coup par coup



Full Auto - tir en rafale

### [INSTALLATION BATTERIE ET REGLAGE CROSSE]

⚠️ N'utilisez pas de batterie avec un taux de décharge supérieur à 25C.



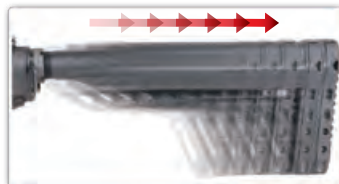
Appuyez sur le bouton pour retirer le talon de crosse.



Branchez la batterie jusqu'à entendre un clic.



Appuyer sur le levier d'ajustement de la crosse pour déverrouiller.



Régler la crosse (6 positions).

### [UTILISATION CHARGEUR]



Retirez le chargeur.



Versez les billes dans le chargeur.



Insérez le chargeur jusqu'à entendre un clic.

⚠️ Il est fortement recommandé d'utiliser uniquement des billes de haute précision G&G Armament. L'utilisation de billes d'une qualité inférieure réduira la durée de vie de votre réplique et annulera la garantie.

### [REGLAGE GUIDON]



Elevez ou abaissez.



Elévation (réglage haut / bas).

### [REGLAGE HAUSSE]



Elevez ou abaissez.



Dérive (réglage gauche / droite).

### [LEVIER DE CHARGEMENT ET FERMETURE DU CAPOT D'EJECTION ET REGLAGE HOP-UP]



Tirer sur le levier de chargement va tirer la culasse en arrière et ouvrir le capot latéral.



Tournez la molette de réglage pour ajuster le hop-up.



Appuyez sur l'arrêtoir pour libérer la culasse.

- ⊗ Trop de hop-up. ( Tournez la molette vers Normal )
- Position optimale.
- ⊗ Pas assez de hop-up. ( tournez la molette vers Hop )

⚠️ Ne vous coincez pas les doigts dans la culasse factice. Ne jamais tenir la réplique inclinée sinon la trajectoire des billes partira vers la droite ou la gauche.

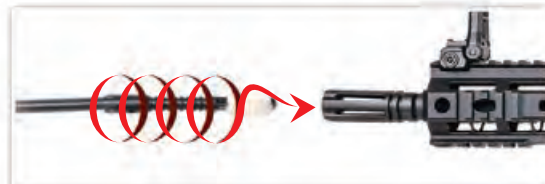




## [NETTOYAGE CANON]



1. Versez quelques gouttes d'huile de silicone ou de téflon sur un morceau de tissu que vous accrocherez sur la tige de débouillage. en un paño limpio e introduzca en la varilla.

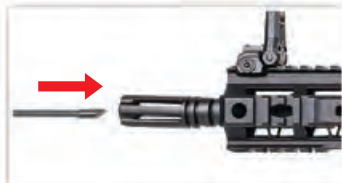


2. Insérez la tige de débouillage dans le canon et tournez en même temps. Répétez la même opération jusqu'à ce que le canon soit propre.

## [DEBOURRAGE]



1. Appuyez sur l'arrêt. 2. Retirez le chargeur.



Réglez la molette du hop-up à zéro sur la position Normal et insérez la tige de débouillage dans le canon.



Assurez-vous que l'extrémité de la tige soit orientée vers le bas et touche bien le fond du canon pour retirer toutes les billes.

## [EN CAS DE PANNE]



### Les gears sont trop bruyants

Utilisez un tournevis pour régler la vis située sur le talon de la poignée lorsque les gears sont trop bruyants.



### Ne fonctionne pas

Vérifiez le branchement du moteur.



### Ne fonctionne pas

Assurez-vous que la batterie soit chargée au maximum.

## [ENTRETIEN]



- ▶ Vérifiez qu'il n'y ait aucune impureté dans la chambre hop-up pour éviter tout bourrage.
- ▶ Le hop-up peut être instable pendant 200 ou 300 coups après avoir utilisé l'huile de silicone.
- Ceci fait parti du fonctionnement normal de la réplique.
- ▶ Ne jamais utiliser de CRC-556, WD40 ou tout autre lubrifiant corrosif.

## [EN CAS DE PANNE]

SYMPTOME	CAUSE	SOLUTION
Ne fonctionne pas	Le levier est en mode de sécurité.	Positionnez le sélecteur de tir sur le mode Semi-auto.
	La batterie est déchargée.	Rechargez la batterie.
	La batterie est débranchée.	Rebranchez la batterie.
	Les bornes et de la batterie sont inversés.	Branchez les bornes correctement (vérifiez le fusible).
Le moteur tourne mais impossible de tirer	Moteur en fin de vie (entre 50000 et 60000 billes) ou mauvais branchement électrique.	Remplacer le moteur en fin de vie (disponible chez votre revendeur local ou G&G directement). Vérifiez et réparez les branchements.
	Des billes sont coincées dans le chargeur.	Insérez la tige de débouillage dans le chargeur et remuez de haut en bas pour retirer les billes coincées.
Impossible d'utiliser le mode full auto	Des billes sont coincées dans la chambre.	Retirez les billes coincées en utilisant la tige de débouillage.
	Gears défectueux.	Achetez de nouveaux Gears chez votre revendeur local ou G&G directement.
La portée de tir diminue	Batterie trop faible.	Rechargez la batterie.
	Billes défectueuses dans le chargeur.	Retirez les billes coincées dans le chargeur.
	Mauvais branchement électrique.	Consultez votre revendeur local ou G&G directement.
	Chambre endommagée ou usée.	Remplacez les pièces (disponible chez votre revendeur local ou G&G directement).
Fonctionnement trop bruyant	Ensemble piston endommagé ou usé (O-ring, ressort de piston).	Utilisez la tige de débouillage pour nettoyer le canon interne.
	Quelque chose est coincé dans le canon interne.	Utilisez les billes de qualité supérieure G&G.
	Pas assez d'huile de silicone.	Vaporisez de l'huile de silicone sur la chambre.
Les billes s'échappent par la bouche du canon	Problème de Gear à cause de tirs à blanc trop fréquent.	Contactez votre revendeur local ou G&G pour effectuer un entretien complet, une réparation ou un changement de pièces.
	Gears endommagés ou usés.	
Si la réplique est mouillée.	Problème de Gear à cause de tirs à blanc trop fréquent.	
	Ensemble de la chambre endommagé ou usé.	Tournez la molette du Hop-Up vers Hop.
	Aucun réglage du Hop-Up effectué au préalable.	Utilisez les billes de qualité supérieur G&G.
	Billes défectueuses (trop petites ou trop lourdes).	
	Arrêtez immédiatement d'utiliser votre réplique, débranchez la batterie, essuyez l'eau restée dans le corps ainsi que la batterie. Après séchage complet, faites un essai de tir. Si la réplique ne fonctionne toujours pas, veuillez contacter votre revendeur pour réparation.	

## [RECLAMATION]

- ▶ Les accessoires sur les photos ne sont pas toujours inclus avec la réplique.
- ▶ La surveillance d'un adulte est obligatoire pour les utilisateurs de moins de 18 ans.
- ▶ L'acheteur et l'utilisateur doivent se conformer aux lois du pays concernant la possession d'une réplique airsoft
- ▶ Tous les produits dans ce mode d'emploi sont des imitations d'armes à feu et ne sont en aucun cas destinées ou représentées à être comparées par la conception, par l'apparence ou par le fonctionnement à toutes armes à feu produites par d'autres fabricants.
- ▶ Le nom des produits et les marques déposées G&G n'ont aucune affiliation et ne sont pas associés ou sponsorisés par aucun fabricant d'armes à feu ou d'imitations d'armes à feu.



【構成要素】



警告

- 不完全なBB弾の使用は、弾詰まりや製品の不調、内部部品の損傷を引き起こしたりします。
- オイルによっては腐食性成分を含んでいる為、プラスチックとゴム製品に損傷を引き起こす可能性がありますので、メンテナンスの際は、100%シリコンオイルのみをお使いください。
- すべてのG&Gエアソフトガンには、G&Gの高精度BB弾を推奨します。
- この製品をご使用になるときは、常時安全なゴーグルを装着してください。
- この製品は、18才以上のユーザーを対象とします。
- この製品をご使用になる前に、取扱説明書を全部お読みください。
- 本製品はBB弾を50m以上先まで到達させる能力がありますので、ご注意ください。
- バッテリーのパワーが低いときは、撃つのを止めてください。

【SETTING GATE ASTER V2 SE WITH TRIGGER】



⚠ Pulling the trigger will fire the gun, please remove the magazine and clear the gun before operation.

1. Entering the Setting Menu  
First switch to SEMI, hold the trigger for 7 sec, when it beeps once & vibrates, it means you've entered the Menu. Also you'll see the LED in front of the trigger turn a deep blue.



2. After entering the Setting Menu, every trigger pull cycles it through the different menus in descending order, as seen on the list on the right.



3. When you've confirmed the Setting Menu you want to enter, switch to AUTO to enter Setting Mode. In Setting Mode, every trigger pull cycles the different Mode options in descending order, as seen on the list on the right.



4. After confirming the selected Mode, switch back to SEMI to save you current option.



5. Switch back to SAFE to leave the Setting Menu.

PROGRAMMING VIA TRIGGER

SEMI POSITION		AUTO POSITION	
FUNCTION WITH CORRESPONDING NUMBER OF VIBRATIONS AND LED COLOR	1 Fire Mode	OPTION WITH CORRESPONDING NUMBER OF VIBRATIONS AND LED COLOR	1 SAFE-SEMI-AUTO
			2 SAFE-SEMI-BINARY
			3 SAFE-SEMI-SEMI
			4 SAFE-SEMI-BURST
			5 GCS Setting**
2 Pre-Cocking	OPTION WITH CORRESPONDING NUMBER OF VIBRATIONS AND LED COLOR	1 OFF	
		2 LOW	
		3 MID	
		4 HIGH	
		5 GCS Setting**	
3 Battery Protection	OPTION WITH CORRESPONDING NUMBER OF VIBRATIONS AND LED COLOR	1 OFF	
		2 LiPo	
		3 LiPo 3.2V Warning	
		4 GCS Setting**	
		5 GCS Setting**	
4 Active Brake	OPTION WITH CORRESPONDING NUMBER OF VIBRATIONS AND LED COLOR	1 Adaptive	
		2 100%	
		3 60%	
		4 OFF	
		5 GCS Setting**	
5 Advanced*	OPTION WITH CORRESPONDING NUMBER OF VIBRATIONS AND LED COLOR	1 DTC	
		2 Clear DTC	
		3 Restore Default Settings	
		4 Restore Factory Settings	
		5 Set Trigger Sensitivity	

\* To save your current setting in the Advanced Menu, hold the trigger for more than 3sec in AUTO, wait till it beeps to confirm your setting, instead of just switching to SEMI. When setting trigger sensitivity, hold the trigger for more than 3sec, after the confirmation beep, release and slowly pull again, when arriving at the currently set trigger position it will beep and show orange LED, to set your desired trigger sensitivity, press&hold the trigger to the position where you want the threshold to be, then switch to SEMI to save, switch to SAFE to leave the Menu.

\*\* GCS setting is a setting previously defined in GCS app.



SCAN FOR ONLINE INSTRUCTION





**[発射モード & セーフティ]** ⚠️ 撃たないときは、常にセーフティにしてください。



セーフティオン - 発射できません



セミオート - 単発



フルオート - 連発

**[バッテリー挿入 & フォールディングストック調整]** ⚠️ 25Cを上回る放電率のバッテリーを使わないでください。



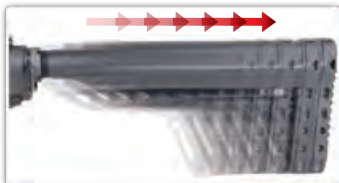
ストック後端のボタンを押し、カバーを外します。



バッテリー端子をカチンというまで差し込んでください。



ストックセレクターボタンを押し解除してください。



位置を調整してください。(6段階)

**[マガジン装着]**



マガジンを外してください。



別売りのBBローダーに、G&G BB弾を入れ、マガジンをエアソフトガンにカチンというまで、挿入してください。



マガジンをエアソフトガンにカチンというまで、挿入してください。

⚠️ G&G 高精度BB弾だけを使うことを強くお勧めします。低品質のBB弾を使うと、製品寿命を短くし、製品保証も無効になります。

**[フロントサイト調整]**



フロントサイトを上下に動かしてください。



高さ調整(上/下)

**[リアサイト調整]**



リアサイトを上下に動かしてください。



偏差つまみ(左/右調整)。

**[チャージングハンドル & エジェクションポートカバーを閉める方法 & ホップアップ調整]**



チャージングハンドルを引いて、ポートカバーを開きます。



ホップダイヤルを上に戻すと、ホップがかかります。



ボルトリリースレバーを押し、ボルトキャッチを解放します。

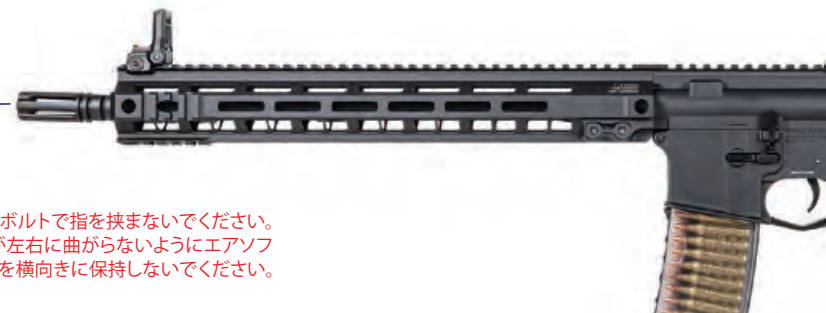
❌ ホップアップのかけ過ぎ。(ノーマル方向に回してください)

ベストポジション

ⓐ

❌ ホップアップの不足。(ホップ方向に回してください)

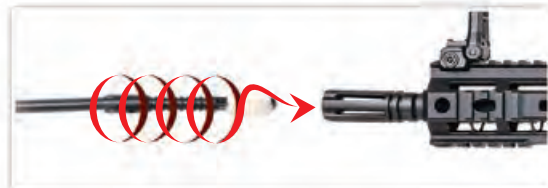
⚠️ ダミーボルトで指を挟まないでください。BB弾が左右に曲がらないようにエアソフトガンを横向きに保持しないでください。



## 【バレルクリーニング】



1.数滴のシリコンオイルまたは、テフロンオイルを布に付けて、ロッドに巻きつけてください。

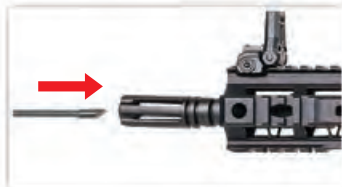


2.クリーニングロッドをインナーバレルに挿入して、ロッドを回してください。バレルがきれいになるまで、同じことを繰り返してください。

## 【弾詰まり】



マガジンを外してください。



ホップアップダイヤルをノーマルの位置に戻して、インナーバレル先端部から、クリーニングロッドを挿入してください。



必ずロッドを下方向に向けて、奥まで延ばしてください。詰まったBB弾を取り除いてください。

## 【トラブルシューティング】



モーター音が気になる際は、グリップ底部のネジで、モーター位置調整を行います。



動かなくなった場合は、モーターピンが正しく接続されているか、チェックしてください。



動かなくなった場合は、バッテリーが完全に接続されているか確認してください。

## 【メンテナンス】



## 【トラブルシューティング】

銃の状態	可能性	対処方法
全く動かない	セレクターレバーがセーフティになっている。	セレクターレバーをセミオートかフルオートにする。
	バッテリーが充電されていない。	バッテリーを充電する。
	バッテリーのコネクターが外れている。	コネクターをつなぐ。
モーターが回転しているが、BB弾が発射できない	バッテリーのコネクターが⊕と⊖が逆になっている。	バッテリーを正しい位置に切り替える。
	モーターの寿命(50,000~60,000発)、または、接点不良。	古くなったモーターを交換する。(購入した販売店がG&Gサポートで購入する)チェックして修理する。
	マガジン内にBB弾が引っかかっている。	チャージング・ロッドをマガジンに挿入して、数回上下に動かしてつまったBB弾を除去する。
フルオート射撃ができない(連射)	チャンバー内にBB弾がつまっている。	クリーニング・ロッドを使って、つまったBB弾を除去する。
	ギアトラブル。	交換するギアを購入した販売店がG&Gサポートから購入して、修理する。
	バッテリーのパワー不足。	バッテリーを充電する。
飛距離が短くなった	マガジンの供給不良。	マガジンのつまりを直す。
	電気接続不良。	オーバーホール・メンテナンスか修理のために購入した販売店がG&Gサポートに相談する。
	チャンバーの損傷か摩耗。 ピストンの損傷か摩耗。(O-リング、ピストン・スプリング)	交換部品を購入する。(購入した販売店がG&Gサポートから購入)
作動音が異常になった	インナーバレルに何かがつまった。	クリーニング・ロッドを使って、インナーバレルをきれいにする。
	BB弾の不良。(小さいか重い)	精密度のG&G BB弾を使う。
	シリコンオイルの不足。	チャンバーの上部に数滴のシリコンオイルを塗布する。
銃口からBB弾がこぼれる	空撃ちのしすぎによるギアトラブル。	オーバーホール、メンテナンス、部品交換(ギアなど)または修理のために購入した販売店またはG&Gに相談してください。
	ギアの損傷か摩耗。	
	空撃ちのしすぎによるギアトラブル。	
銃を濡らした	チャンバーの損傷か摩耗。	ホップ調整レバーをホップ方向に廻す。
	ホップがかかっている。	G&G BB弾を使う。
	BB弾の不良。(小さいか重い)	
	すぐに作動を止めて、バッテリーを外して、本体内とバッテリーの中から、水分をふき取る。銃が完全に乾いたあとに試射をする。作動ができなければ、修理のために購入した販売店に連絡する。	

## 【保固説明】

- ▶ GATE ASTAR由供應商GATE提供12個月保固。
- ▶ G&G只提供由G&G廠內組裝之GATE ASTAR的産品保固服務。
- ▶ G&G提供的12個月保固服務不包含已改裝或是使用者自行拆裝齒輪箱後的産品、或是使用不當産生的故障。

- ▶ 若GATE ASTAR發生故障,但使用者已改裝或是自行拆裝齒輪箱,請直接聯繫GATE協助處理。
- ▶ 日本地區保固問題請聯繫授權經銷商WHITE HOUSE CO.,LTD.

## 【免責】

- ▶ 写真の中のアクセサリが製品に必ずしも含まれるわけではありません。
- ▶ 18才未満のユーザーには、大人の監督下での利用を要求します。
- ▶ 購入者と使用者は、エアソフトガンの所有を定めているすべての法律に従わなければなりません。

- ▶ このマニュアルの中のすべての製品は、イミテーション銃で、他メーカーの銃にも、実際の銃にもデザイン、外見、機能面で意図もなく相当するものではありません。
- ▶ 製品名はG&Gの商標であり、実銃であるか模造銃であるかを含め、あらゆるメーカーとの関係はありません。
- ▶ 実際の製品は、画像と異なる場合があります。



# TR16 GMS MK2 15"

訂購零件時請註明型號及顏色 / Please notify model and color when purchase parts / Indique el modelo y el color cuando compre las piezas. / Veuillez indiquer le modèle et la couleur lors de l'achat de pièces / パーツを注文する際に品番と色を指定してください。

**TR16 GMS MK2 15" GSO-A01 - A** 專用齒輪箱尾頂桿拆裝工具 & 通槍條 & 槍托 & 彈匣 / Exclusive Gearbox Spring Guide Tool & Cleaning Rod & Stock & Magazine / Herramienta exclusiva de guía de resorte de caja de cambios, varilla de limpieza, culata y cargador / Outil guide de ressort exclusif, tige de débouillage, crosse et chargeur / ストック & マガジン

**TR16 GMS MK2 15" GSO-A02 - B** 下槍身總成 / Lower Receiver Set / Set de recibidor inferior / Ens. corps inférieur / ロアレシーバーセット

**TR16 GMS MK2 15" GSN-A03 - A** 前槍身總成 / Front End set / Set de parte delantera / Ens. avant / フロントエンドセット

**TR16 GMS MK2 15" GDP-A37 - A** 下槍身模組 / Lower Receiver / Set de recibidor inferior / Corps inférieur / ロアレシーバー

**TR16 GMS MK2 15" GIU-A11 - A** 上槍身模組 / Upper Receiver Set / Set de recibidor superior / Ens. corps supérieur / アッパーレシーバーセット

**TR16 GMS MK2 15" GFY-A03 - 01** 槍機拉柄 / Charging Handle / Manijad e carga / Levier de chargement / チャージングハンドル

**TW** 細部分解圖中的所有零件都可向怪怪貿易股份有限公司訂購。

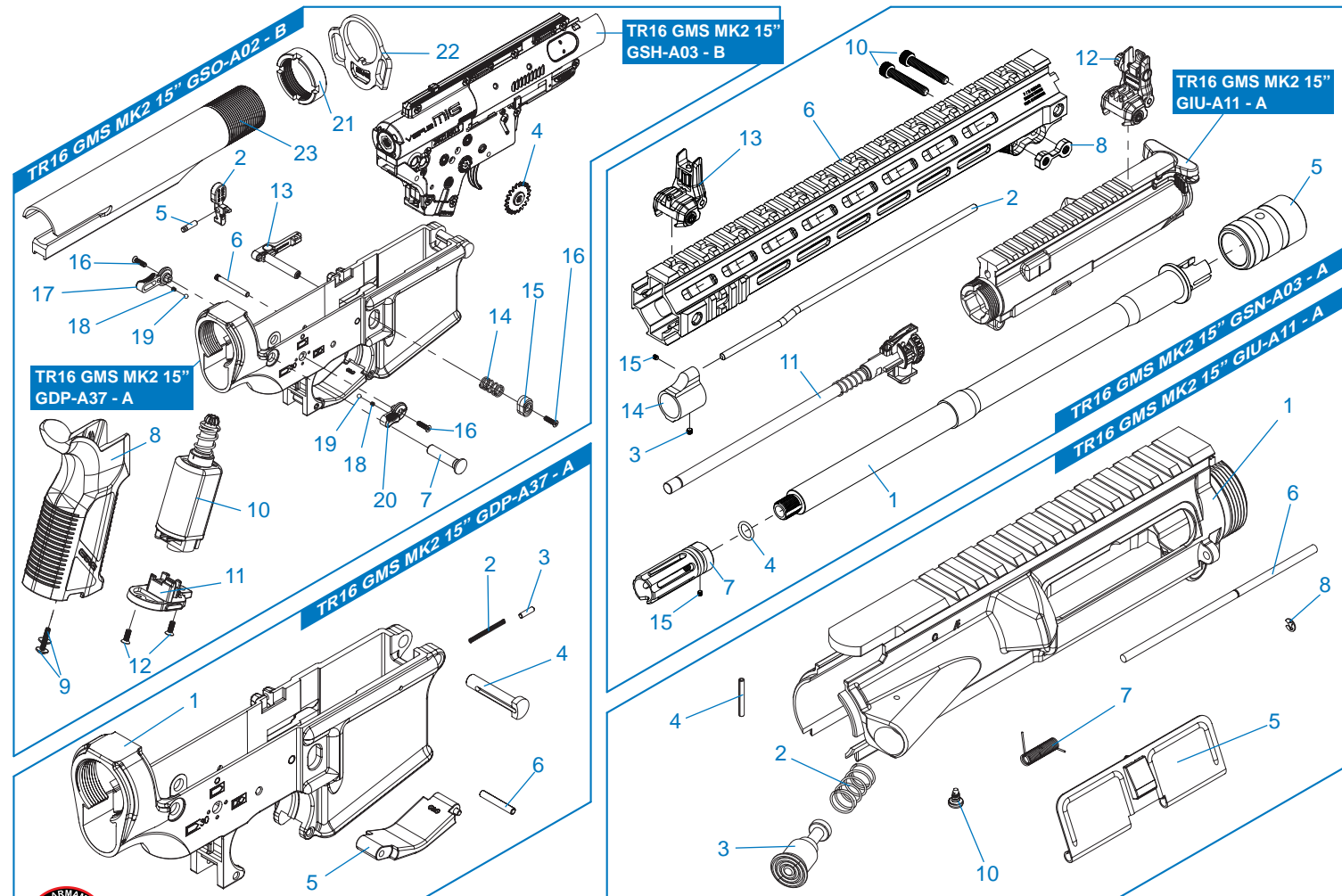
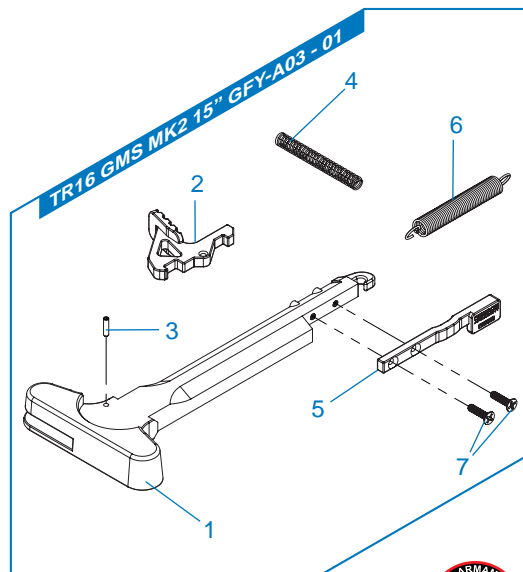
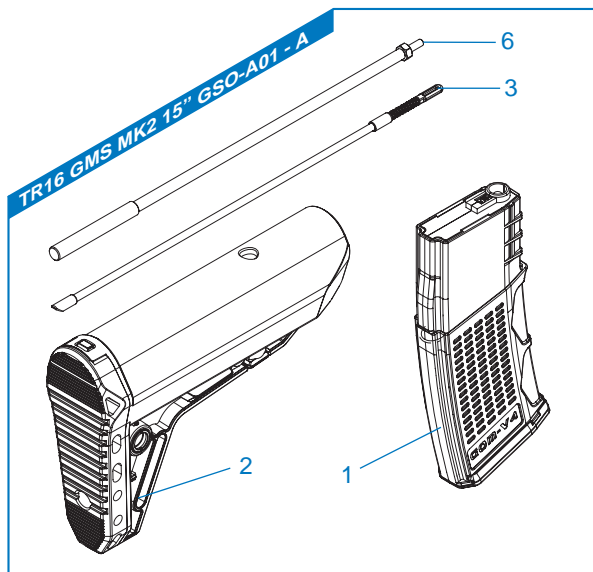
**EN** The grouped parts may all be purchased from the G&G Support Department.

**ES** Todas las partes pueden ser compradas en el departamento de Soporte de G&G.

**FR** Vous pouvez acheter ces pièces en contactant le service après-vente G&G.

**JP** グループパーツのすべては、G&G サポートから購入できます。

E-Mail: [support@guay2com](mailto:support@guay2com)

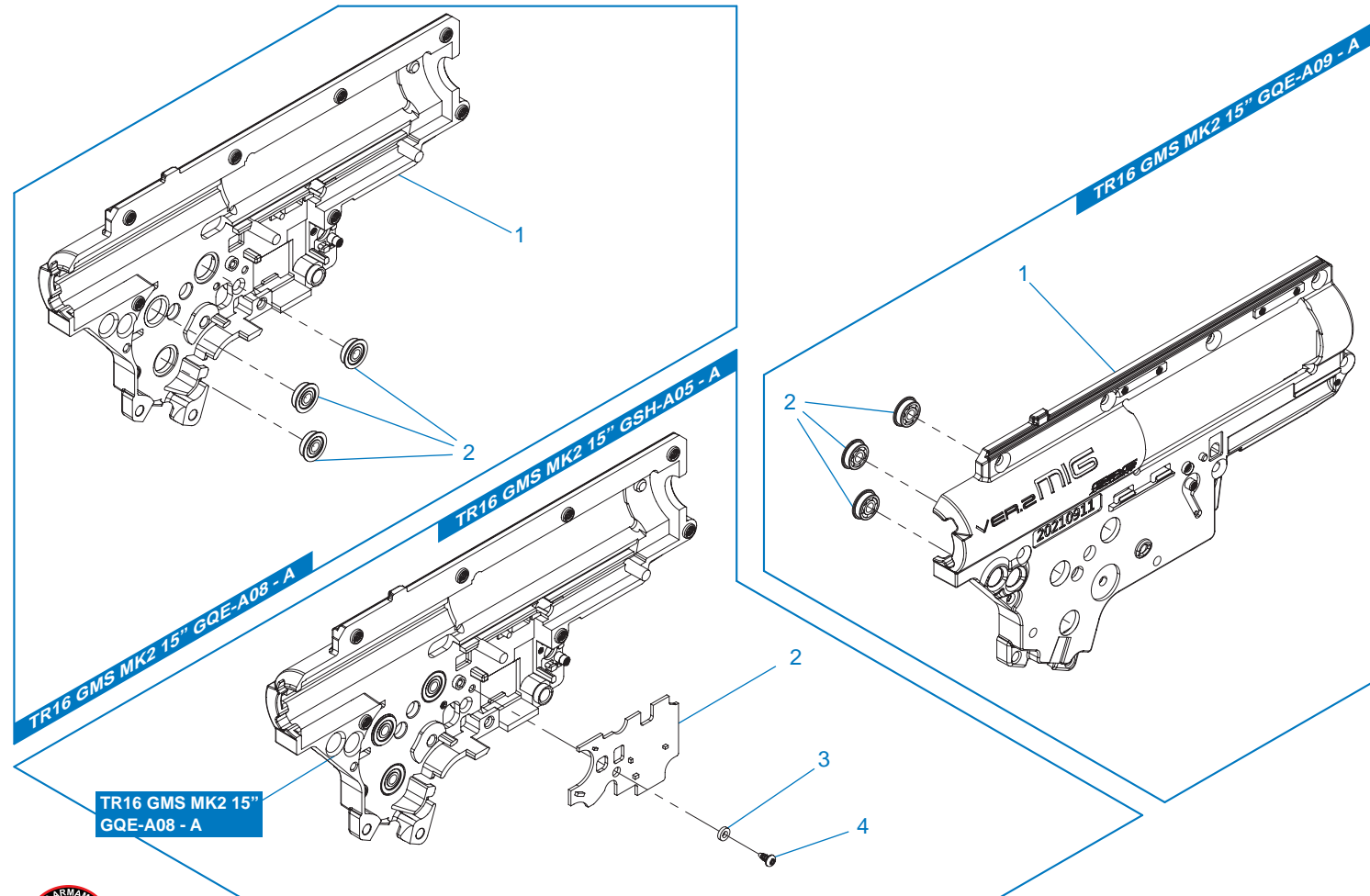
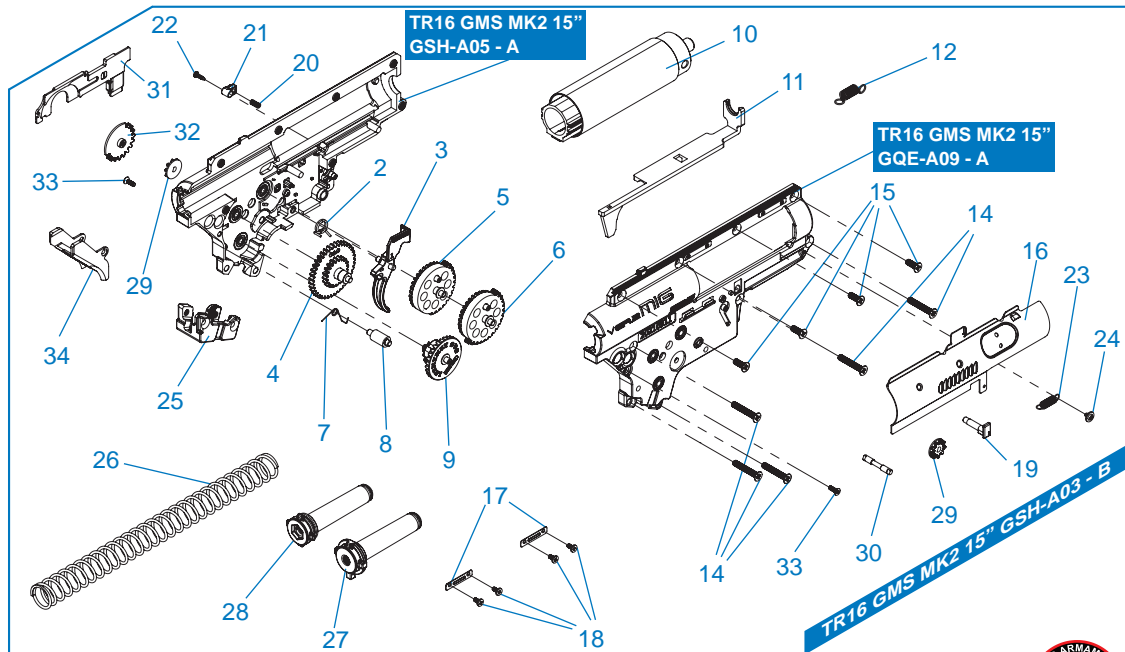


# TR16 GMS MK2 15"

訂購零件時請註明型號及顏色 / Please notify model and color when purchase parts / Indique el modelo y el color cuando compre las piezas. /  
 Veuillez indiquer le modèle et la couleur lors de l'achat de pièces / パーツを注文する際に品番と色を指定してください。

- TR16 GMS MK2 15" GQE-A08 - A** 左齒輪箱殼 / Left gearbox shell / La tapa izquierda de caja engranaje / Coque gearbox gauche / 左ギアボックスシェル
- TR16 GMS MK2 15" GQE-A09 - A** 右齒輪箱殼 / Right gearbox shell / La tapa derecha de caja engranaje / Coque gearbox droite / 右ギアボックスシェル
- TR16 GMS MK2 15" GSH-A03 - B** 齒輪箱模組 / Gear box / Caja de engranaje / Gearbox / ギアボックス
- TR16 GMS MK2 15" GSH-A05 - A** 齒輪箱左側模組及電子板機開關 / Left gearbox & ETU assembly / Lado izquierda de caja y set de ETU / Ens. gearbox gauche et ETU / 左ギアボックスとETUアセンブリ

- TW** ▶ 細部分解圖中的所有零件都可向怪怪貿易股份有限公司訂購。
- EN** ▶ The grouped parts may all be purchased from the G&G Support Department.
- ES** ▶ Todas las partes pueden ser compradas en el departamento de Soporte de G&G.
- FR** ▶ Vous pouvez acheter ces pièces en contactant le service après-vente G&G.
- JP** ▶ グループパーツのすべては、G&G サポートから購入できます。
- ▶ E-Mail: [support@guay2com](mailto:support@guay2com)





- ▶ 即使你只是開玩笑對他人射擊，你也必須為他人與公物受到的傷害負完全的責任。請在法規的範圍內玩射擊遊戲。
- ▶ 攜帶槍枝時，請將槍口套上安全套，關上保險位置，並把槍放入槍盒或槍袋中。
- ▶ 安全規範：1. 在槍口套上安全套 2. 將選擇鈕設於安全位置 3. 移除彈匣 4. 將電池拆下。
- ▶ 請選擇一個周邊沒有人 and 車的安全地點玩軟氣槍。
- ▶ 當在玩射擊遊戲或練習射擊時，請佩戴護目鏡，並注意彈跳物。最重要的不要傷害到周邊其他的人。
- ▶ 將槍口套上安全套，放入槍袋或槍盒中，並且放在孩童取不到的地方。
- ▶ 不要將槍口指向人，動物或者造成第三人的傷害，危險。
- ▶ 射擊以外的時間，為避免BB彈造成意外危險及防止灰塵掉入槍管，請確實將槍口套上安全套。當槍管套上安全套時，不要扣扳機。
- ▶ 看槍口確認是否有BB彈滯留於槍管中是十分危險的。你的眼睛可能會被BB彈打傷，有失明的可能性。
- ▶ 射擊時不留意是十分危險的。不要將手指放在扳機上，除非你已取下安全套，準備開始射擊。
- ▶ 有些情況是在取下彈匣後發現還有BB彈滯留在槍身內，所以取下彈匣後請對空中或安全的地方射擊，無殘留後再套上安全套。
- ▶ 私自拆解或改裝軟氣槍會造成危險，甚至會有違法的可能性。

**TW**

- ▶ You may be liable for damaging public or personal property or for injuring a person or an animal even if you only meant to shoot as a "practical joke". Always observe good manners and enjoy fun sport shooting.
- ▶ When you carry the air gun, attach the safety cap, set the selector lever to the safety position and always put the air gun in a case or bag.
- ▶ Safety procedures: 1. Attach the safety cap to the muzzle. 2. Set the selector lever to the safety position. 3. Remove the magazine. 4. Remove the battery
- ▶ Select a safe place for operating the air gun, avoid places where people and cars are around.
- ▶ When shooting the air guns for target practice or in a game situation, You and all participants must wear safety goggles or other eye protective gear. Also pay attention to ricochet. It is very important to pay attention to third parties other than the participants.
- ▶ Always attach the safety cap to the muzzle, remove the battery and store the air gun in a case or bag and at a place that is out of reach by children.
- ▶ Never direct the muzzle towards a person, animal or in any direction. That may cause harm or damage to the third party.
- ▶ Make sure to put the barrel and safety cap on the muzzle, except when you are shooting. Do this to prevent accident, discharge of BB's and also for dust protection purpose. Never pull the trigger while the barrel and the safety cap is attached.
- ▶ Looking into the muzzle is extremely dangerous regardless of BB's having been loaded or not. If you get hit in the eye by a BB pellet, you may in worst case, lose your eye sight.
- ▶ Activating the trigger carelessly is extremely dangerous. Never put your finger on the trigger unless the safety cap is removed and you are ready to shoot a target.
- ▶ There may be cases where some BB's remain in the gun after the magazine has been removed. After removal of the magazine, direct the muzzle towards a safe direction and pull the trigger to confirm that there are no BB's remain in the gun, then attach the safety cap.
- ▶ Disassembling or modifying the gun may adversely affect the performance and make it dangerous. "It may be against the Law."

**EN**

- ▶ Usted puede ser responsable por daño de propiedad pública o privada al herir a una persona o animal incluso sin que fuese intencional o como una "broma pesada". Siempre tenga buenos modales y disfrute de la diversión de tiro deportivo.
- ▶ Cuando transporte la pistola, utilice una cobertura de cañón, coloque la pistola en modo seguro y siempre ponga la pistola en una bolsa o una caja.
- ▶ Procedimientos de Seguridad:
  1. Utilice una cobertura de cañón. 2. Coloque el selector en modo seguro. 3. Quite los cargadores. 4. Quite la batería.
- ▶ Seleccione un lugar seguro para usar el rifle de aire, evite lugares donde se encuentren personas y coches alrededor.
- ▶ Al disparar los rifles de aire en prácticas de tiro o en juegos, usted y todos los participantes deberán llevar gafas de seguridad u otras gafas protectoras. También preste atención al rebote. Es muy importante prestar atención no solo a los participantes sino también a terceros.
- ▶ Siempre utilice una cobertura de cañón, retire la batería y almacene el rifle de aire en una caja o bolsa. Fuera del alcance de los niños.
- ▶ Nunca dirija el cañón hacia una persona, un animal o en cualquier dirección. Puede causar daño o perjuicio a la terceros.
- ▶ Asegúrese de colocar siempre la cobertura de cañón en la boca, a excepción de cuando esté disparando. Para evitar accidentes por disparo de balines accidentales y proteger el rifle contra el polvo. Nunca tire del gatillo mientras la cobertura del cañón este en el barril.
- ▶ Mirar dentro el cañón es extremadamente peligroso a pesar de que los balines no hayan sido cargados. Si recibe un golpe directo en el ojo por un balín puede perder su vista permanentemente.
- ▶ Activar el gatillo sin cuidado es extremadamente peligroso. Nunca ponga el dedo en el gatillo a menos que la cobertura del cañón haya sido retirada y esté preparado para disparar al objetivo.
- ▶ Puede haber casos en los balines se queden dentro del rifle después de que el cargador haya sido retirado. Después de la extracción del cargador, dirija la boca del cañón hacia una dirección segura y apriete el gatillo para confirmar no haya quedado ningún balín dentro del rifle, por último coloque la cobertura del cañón.
- ▶ Al modificar o desmontar el rifle puede afectar el rendimiento de la réplica y convertirlo en algo peligroso. "Puede estar en contra de la ley".


**ES**


- ▶ Vous pouvez être tenu responsable pour tout dommage de propriété publique ou personnelle, ou blessure sur une personne ou un animal. Faites preuve de fair-play pour profiter pleinement de l'Airsoft.
- ▶ Mettre le capuchon de sécurité sur le cache-flamme, le sélecteur de tir sur la position sécurité et la réplique dans un sac lors de son transport.
- ▶ Procédure de sécurité: 1. Mettre le capuchon de sécurité sur le cache-flamme. 2. Mettre le sélecteur de tir sur la position sécurité. 3. Retirer le chargeur. 4. Retirer la batterie.
- ▶ Choisissez un endroit sûr pour utiliser la réplique, et évitez tout endroit entouré d'automobile ou de personne.
- ▶ Lors de l'utilisation de la réplique, tout participant se doit de porter des lunettes de protection. Faites attention au ricochet des projectiles et aux passants.
- ▶ Toujours mettre le capuchon de sécurité sur le cache-flamme, retirer la batterie et garder la réplique dans un sac à l'abri des enfants.
- ▶ Ne jamais pointer le canon de la réplique sur quelqu'un ou quelque chose pour causer des blessures ou des dommages.
- ▶ Assurez-vous de mettre le bouchon de sécurité sur le cache-flamme. sauf si vous tirez évidemment. Procédez ainsi pour éviter tout accident et protéger la réplique de la poussière.
- ▶ Regarder dans le canon est extrêmement dangereux même s'il ne reste plus de billes dans la réplique. Si vous êtes touché par une bille, vous risquez de perdre l'usage de votre oeil.
- ▶ Presser la queue de détente sans aucune précaution est extrêmement dangereux. Ne déposez jamais votre doigt sur la queue de détente si vous n'avez pas au préalable retiré le capuchon de sécurité et si vous n'êtes pas prêt à tirer.
- ▶ Dans certains cas il est possible que des billes soient restées dans la réplique après avoir retiré le chargeur. Lorsque le chargeur est retiré, pointez votre réplique vers une direction sans danger pour autrui et tirez pour vous assurer qu'il ne reste pas de billes à l'intérieur, puis mettez capuchon de sécurité sur le cache-flamme.
- ▶ Démontez ou modifiez la réplique vous même peut affecter défavorablement ses performances, la rendre dangereuse et vous mettre hors la loi.


**FR**


- ▶ たとえイタズラのもりでも、共有物や他人の財産を撃って破損させたり、人や生き物を撃って怪我をさせたりすると、器物破損罪や傷害罪などで処罰される場合があります。
- ▶ エアガンを持ち歩く場合は、銃口に保護キャップをして、セレクターレバーをセーフティの位置にし、必ずケースやバッグに入れて運んでください。
- ▶ 安全手順 1.銃口に保護キャップを装着する。2.切り替えレバー(セレクターレバー)をセーフティの位置にする。3.マガジンを取り外す。4.バッテリーをエアガンから取りはずす。
- ▶ エアガンを撃つ際は、安全に配慮し、人や動物又は危険な場所には向けないでください。また、周囲に人がいるような場所での射撃は絶対にしないでください。
- ▶ 弾を発射する時やゲームなどの場合は、跳弾にも注意し、コーゲルなどの眼の保護具を本人と参加者全員が必ず装着して行ってください。(参加者以外の第三者に弾が当たらないように十分ご注意ください。)
- ▶ 対象年齢以外の子供がイタズラをして怪我などを起こさないように、必ず銃口に保護キャップをしてケースやバックに入れて子供が手の届かない所に保管してください。
- ▶ エアガンで人や動物を狙ったり、撃つたりしないでください。標的を撃つ時以外は銃口に保護キャップを必ず装着してください。
- ▶ 万が一の暴発を防ぐと共に防塵のために、発射時以外は必ず銃口に保護キャップを装着してください。
- ▶ 銃口は、弾が入っている入っていないにかかわらず、絶対にのぞかないでください。BB弾が眼に当たった場所、最悪失明の恐れがあり大変危険です。
- ▶ 標的に向けて発射する時以外は、引き金に指をかけないでください。引き金に指をかけた状態では、何らかのはずみで引き金を引いてしまう恐れがあり大変危険です。
- ▶ マガジンを抜いてもガン内部に弾が残っている場合があり、不用意に引き金を引くと弾が発射され大変危険です。マガジンを抜いた後、銃口を安全な方向に向けて撃ち、弾が残っていない事を確認してから、銃口に保護キャップをして保管してください。
- ▶ このエアガンは、最適な性能、操作性を考慮して製造されています。むやみな分解、改造は、危険性を誘発したり性能を著しく損なう場合がありますので、絶対にお止めください。

**JP**

	<b>TW</b> 請選擇有合格認證(CE)的電池，避免損害產品。 <b>ES</b> Por favor seleccione la batería de calidad con la aprobación del CE, para evitar daños innecesarios en el producto. <b>FR</b> Utilisez des batteries certifiées CE afin d'éviter tout dommage sur le produit. <b>JP</b> 品質の良いバッテリーを選択してください。(CE認証)アンペア数の異常に高い製品や粗悪なバッテリーなどはメカBOXが破損しますので絶対使用しないでください。	<b>EN</b> Please select quality battery with the CE approval, to avoid any unnecessary damage on the product.
---	--	---

	<b>TW</b> 請使用說明書上建議的電池伏特數，使用錯誤的伏特數將損害產品。 <b>EN</b> Please use suggested battery in the manual, if different voltage used, it might damage the product. <b>ES</b> Por favor utilice la batería que se sugiere en el manual si utiliza un voltaje diferente, podría dañar el producto. <b>FR</b> Utilisez les batteries recommandées dans le manuel. Une différence de voltage peut endommager le produit. <b>JP</b> 指定以外のバッテリーの使用による事故、故障などについて、当社は一切の責任を負いません。
---	--

	<b>TW</b> 不使用產品時請將電池拔除。 <b>EN</b> Remove the battery from the product when it is not in use. <b>ES</b> Retire la batería del producto cuando no esté en uso. <b>FR</b> Retirez la batterie du produit lorsque vous ne l'utilisez pas. <b>JP</b> バッテリーをコネクターから取り外してください。
--	---

	<b>TW</b> 電池請遠離潮濕和火源，請勿破壞電池。 <b>EN</b> Do not wet nor incinerate the battery, nor to deform terminal. <b>ES</b> No moje ni incinere la batería. Tampoco deforme el terminal. <b>FR</b> Ne mouillez pas ou ne chauffez pas la batterie sinon vous risquez de déformer le connecteur. <b>JP</b> バッテリーを濡らしたり、火の周りに近づけたりしないでください。また、バッテリーの外観を損傷しないでください。
---	--

