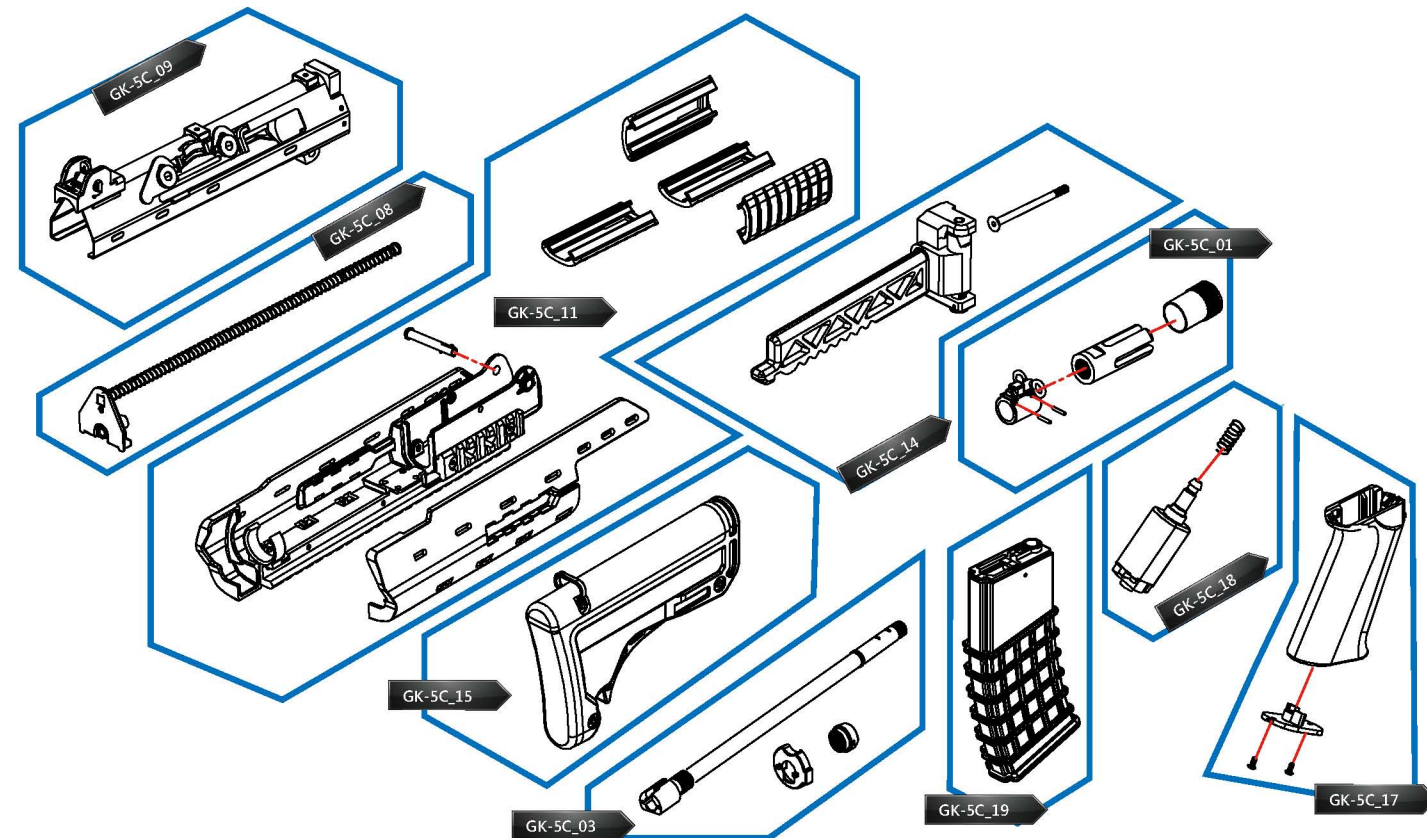
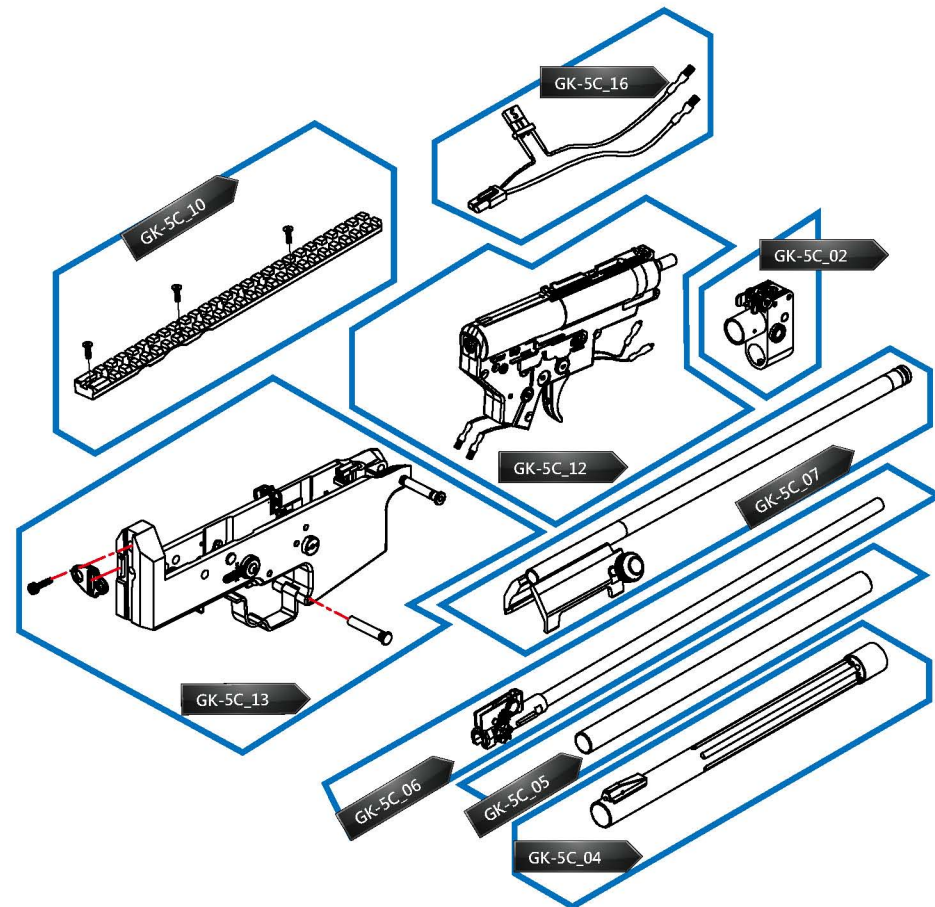
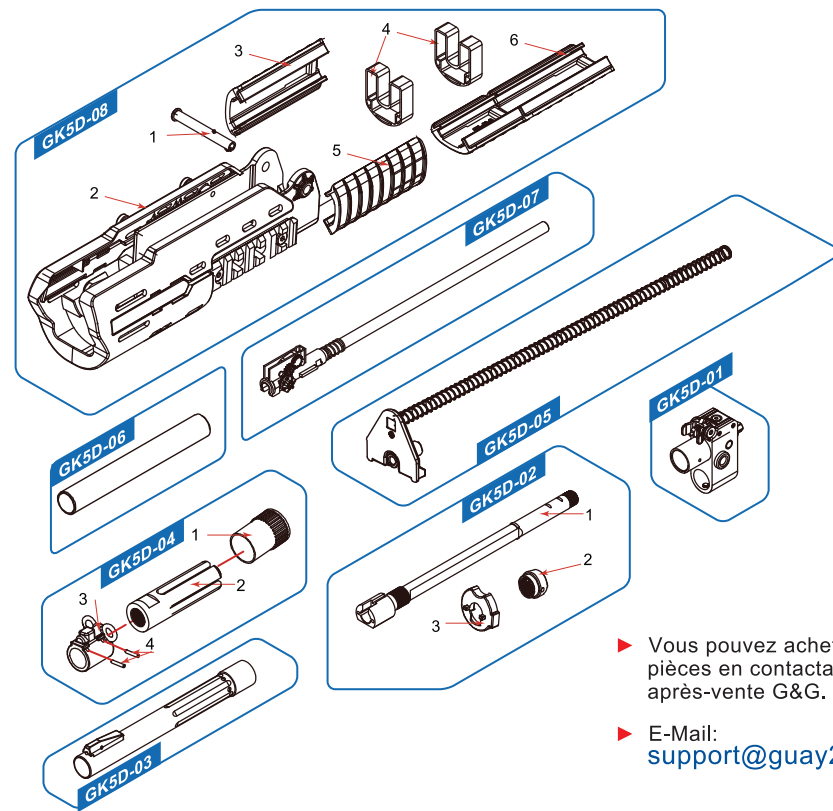
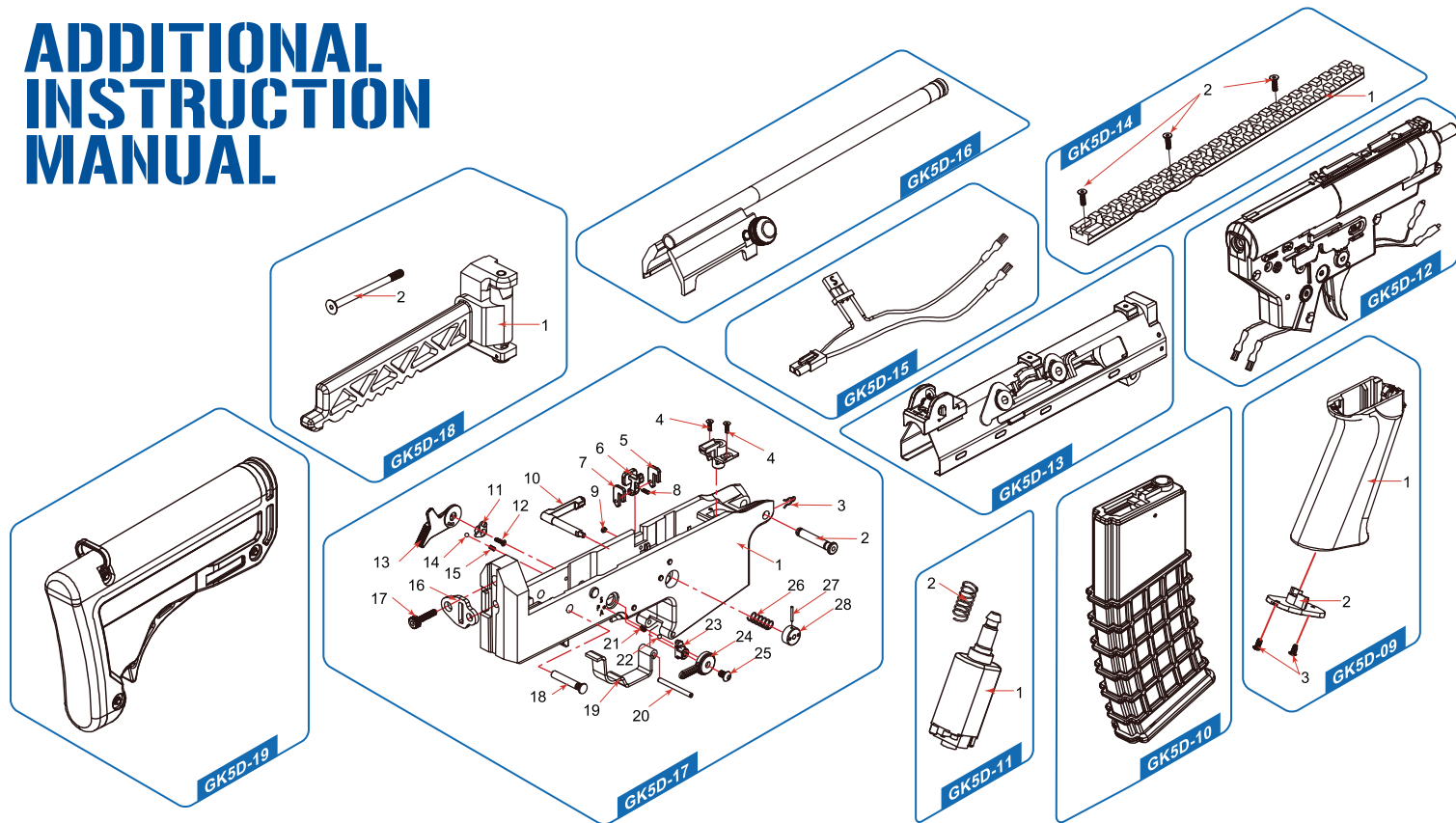


PARTS LIST

| No. | Parts Name |
|----------|-----------------------|
| GK-5C_01 | Flash Hider |
| GK-5C_02 | Gas Block |
| GK-5C_03 | Outer Barrel Set |
| GK-5C_04 | Gas Tube |
| GK-5C_05 | Gas Nozzle Sleeve |
| GK-5C_06 | Inner Barrel & Hop Up |
| GK-5C_07 | Charging Handle |
| GK-5C_08 | Recoil Spring |
| GK-5C_09 | Upper Receiver |
| GK-5C_10 | Upper Rail |
| GK-5C_11 | Handguard |
| GK-5C_12 | Gear Box |
| GK-5C_13 | Lower Receiver |
| GK-5C_14 | Folding Stock Latch |
| GK-5C_15 | Stock |
| GK-5C_16 | Front Wire |
| GK-5C_17 | Pistol Grip |
| GK-5C_18 | Motor |
| GK-5C_19 | Magazine |



ADDITIONAL INSTRUCTION MANUAL



▶ Vous pouvez acheter ces pièces en contactant le service après-vente G&G.
▶ E-Mail: support@guay2.com

- GK5D-01** Gas Block
- GK5D-02** Outer Barrel Set
- GK5D-03** Gas Tube
- GK5D-04** Flash Hider Set
- GK5D-05** Charging Handle Spring & Spring guide
- GK5D-06** Gas Nozzle Sleeve
- GK5D-07** Inner Barrel & Hop Up
- GK5D-08** Handguard Set
- GK5D-09** Grip Set
- GK5D-10** Magazine
- GK5D-11** Motor Set
- GK5D-12** Gear Box Set
- GK5D-13** Upper Receiver Set
- GK5D-14** Upper Rail Set
- GK5D-15** Front Wire
- GK5D-16** Charging Handle
- GK5D-17** Lower Receiver Set
- GK5D-18** Folding Stock Latch
- GK5D-19** Stock