



WWW.GUAY2.COM
G&G ARMAMENT
 AIRSOFT GUNS & ACCESSORIES

TAIWAN

ChangHua (Head Quarter) Tel : +886-4-798-9000 Fax: +886-4-798-9900
 No.999, Zhonghua Rd., Shengang Township,
 Changhua County 50955, Taiwan (R.O.C.)

Taipei Tel : +886-2-2692-2000 Fax: +886-2-2692-4000
 11F-3., No.27, Lane 169, Kangning St. Shijr City,
 Taipei County 22180, Taiwan (R.O.C.)

Sales Dept. sales@guay2.com, b2b@guay2.com
Technology Dept. support@guay2.com
PR Dept. pr@guay2.com

U.S.A.

Los Angeles Tel : +1-626-581-0101
 Fax: +1-626-581-1011
 1122 Coiner Court City of Industry,
 CA91748 (U.S.A.)
 sales101@guay2.com



AKSC1
 Manual

G2-201210-05 英



TOP FIVE
 FUTURE INNOVATION
 FINEST QUALITY
 FAST SERVICE
 FREE ITEMS
 AIR PRICE



AKSC1
 Manual



- ▲ With all products that employ high precision 6.03 mm inner barrel use precision 5.95mm BB pellets. Damage to the product due by faulty BB pellets voids the warranty.
- ▲ The buyer and the user of this product shall adhere to all local laws regulating the usage and the ownership of airsoft guns.

- ▲ This product is intended for users 18 years or older.
- ▲ Read all instructions before using this product.
- ▲ Adult supervision required.
- ▲ Always wear safety goggles when using this product.
- ▲ Misuse or careless handling of this product may cause injury.
- ▲ May be hazardous up to 50 meters.

- Orange tip disclaimer :**
- ▲ All G&G Airsoft products come with a permanent fixed orange tip required by law, which grants Airsoft legal usage in the United States and complied with the United States laws.
 - ▲ If you alter, remove, modify, or abuse the orange tip, all warranty will be void.

Warning

For more product information please visit our website www.guay2.com



You may be liable for damaging public or personal property or for injuring a person or an animal. Always observe good manners and enjoy fun sport shooting.



Never direct the muzzle towards a person, animal or in any direction that may cause harm or damage to the third party.



When you carry the air gun, attach the safety cap, set the selector lever to the safety position, and always put the air gun in a case or bag.



Activating the trigger carelessly is extremely dangerous. Never put your finger on the trigger unless the safety cap is removed and you are ready to shoot a target.



Select a safe place for operating the air gun, Avoid places where people and cars are around.



Make sure to put the safety cap on the muzzle, except when you are shooting. Do this to prevent accident, discharge of BB's, and for dust protection purposes. Never pull the trigger while the safety cap are attached.



When shooting the air guns for target practice or in a game situation, you and all participants must wear safety goggles or other eye protective gear. Also, pay attention to ricochets. It is very important to pay attention to third parties other than the participants.



There may be cases where some BBs remain in the gun after the magazine has been removed. After removal of the magazine, direct the muzzle towards a safe direction and pull the trigger to confirm that there are no BBs remain in the gun, then attach the safety cap.



Safety procedures:
 1. Attach the safety cap to the muzzle.
 2. Set the selector lever to the safety position.
 3. Remove the magazine.
 4. Remove the battery.



Looking into the muzzle is extremely dangerous, regardless if BB's are loaded or not. If you get hit in the eye by a BB pellet, worst case scenario may result in permanent damage to your eye sight.



Always attach the safety cap to the muzzle, remove the battery, and store the air gun in a case or bag and at a place that is out of reach of children.



Disassembling or modifying the gun may adversely affect the performance and make it dangerous. It may be against the Law."

WARNING **P01.02**

COMPONENTS **P03**

SELECTOR & SAFETY SETTING **P04**

FOLDING FRONT SIGHT **P05**

INSTALLING RAIL COVER **P05**

INSTALLING / REMOVING HANDGUARD **P06**

BOLT/CHARGING HANDLE OPERATION **P06**

INSTALLING MAGAZINE **P07**

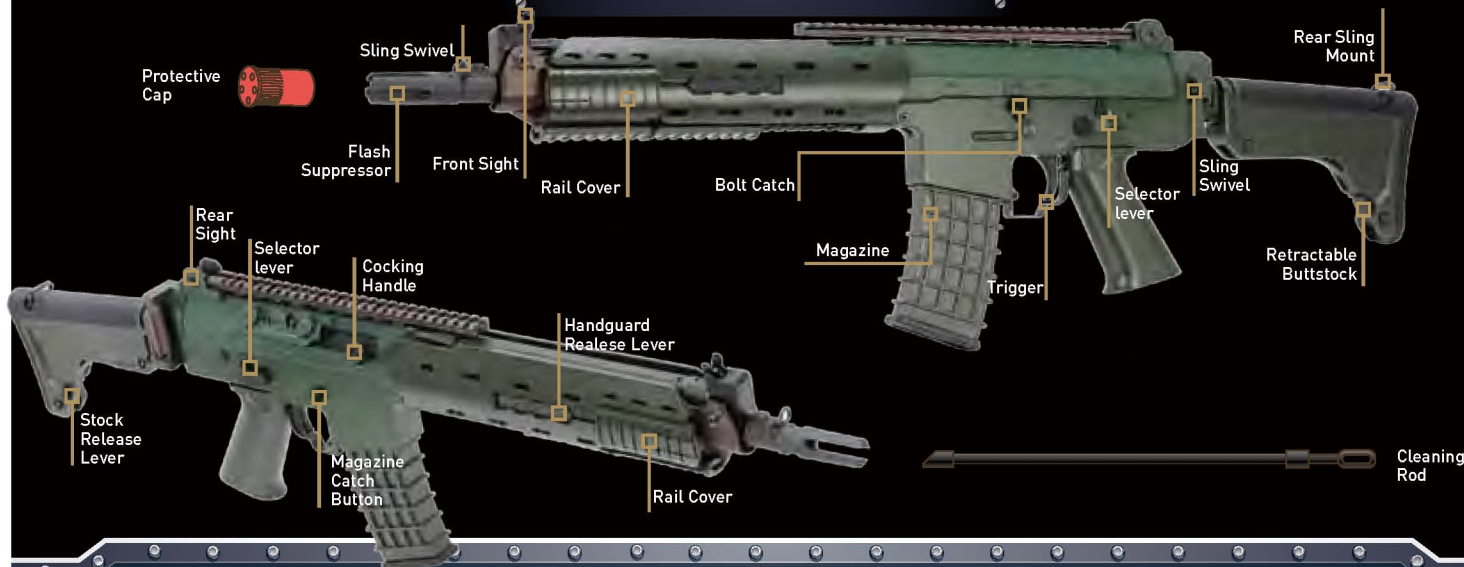
HOW TO ADJUST BUTT STOCK **P08**

BATTLESIGHT MAINTENANCE **P09**

HOP-UP ADJUSTMENT **P10**

PARTS LIST **P11**

COMPONENTS



SELECTOR & SAFETY SETTING



Safety On

When the gun is not in use or in storage, make sure the selector switch is set to the 'S' position and attach the protective cap onto the muzzle.



Semi Auto

Set the selector switch to the 'P' position. The gun will fire once per trigger pull.



Full Auto

Set the selector to the 'A' position. The gun will continuously fire while the trigger remains being pulled.

CAUTION Never operate the selector lever while pulling the trigger. Pulling the trigger with the selector being set at safe mode may damage the air gun.

CAUTION Set the selector in the correct position; otherwise, a malfunction may occur.



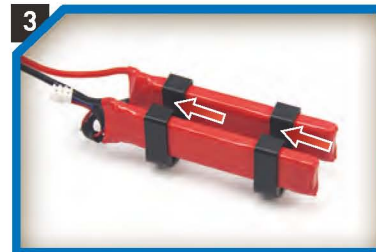
BATTERY SETTING for GK5D



1 Pull the handguard locking pin out.



2 Take off the handguard.



3 Assembly the battery with the rings.

CAUTION

Before install the battery:
1. Turn the selector to the Safety position.
2. Remove the magazine.



4 Connect battery plug with the connector and insert the battery into the handguard.



5 Reassembly the handguard.

RECOMMENDED BATTERY TYPE

G-11-082
G-Power LI-PO 7.4V 1100 mAh
(Two-piece)



CAUTION

Use only the G&G battery purchased from your local dealer.

FOLDING FRONT SIGHT

UP



DOWN



HOW TO INSTALL RAIL COVER

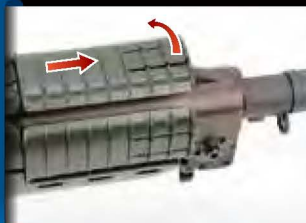
Installing the Rail Cover

Slide in rail cover as shown in the picture.



Removing the Rail Cover

Pull the center piece as shown in the picture. Slide the cover out.



HOW TO INSTALL | REMOVE HANDGUARD

Removing the handguard

1. Push the lever as shown in the picture.
2. Remove the handguard

Installing the Handguard

3. Install the handguard as shown in the picture.
4. Push the lever to secure the handguard.



Installing the battery

Connect the battery plug with the connector, then insert the battery into the handguard.



HOW TO OPERATE BOLT | CHARGING HANDLE

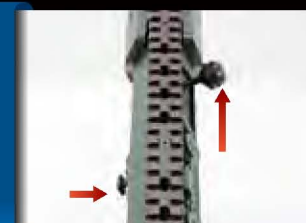
Bolt Catch

Pull the charging handle toward the butt stock to catch the bolt.



Bolt Release

Press the bolt release button to release the bolt.



Loading the BBs

Slide open the loading chamber and pour in the BBs to load the magazine up.



Installing the Magazine

Insert the magazine into the mag wall.



Installing the Magazine

Push the mag in until you hear a "click" sound.



Removing the Magazine

Push the magazine release button to release the magazine.



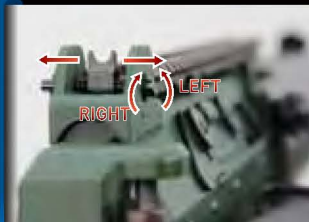
Loading the BBs

After the BB pellets have been loaded, close the cover and wind the gear on the bottom of the magazine until you spot a BB in the feeding chamber.



Adjusting the Rear Sight

To zero windage: Turn clockwise or counter clockwise



HOW TO ADJUST BUTT STOCK

Adjusting the Butt Stock

Press the nub as shown in the picture to unlock the lever. Extend or collapse after unlocking.



Pull back the locking lever to secure the desired position.



Folding the butt Stock

Press the butt stock down as shown in the picture to release folding stock catch.



Fold to the side of the receiver when stock catch is free.



BATTLE SIGHT [FLIP MANUALLY]

For standard.



For Precision .

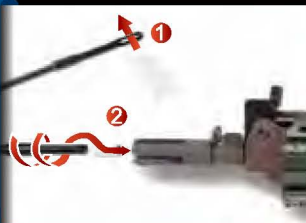


Do not jam the cleaning rod into the barrel by force. Should the BBs remains inside the barrel after following the instructions from above, with the protection cap over the barrel, point the gun to a safe direction and discharge any loosened BBs in semi-automatic mode.

MAINTENANCE

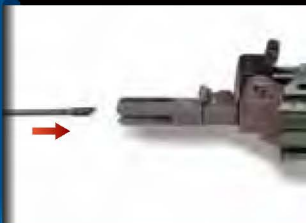
Maintenance When Bullet Speed Becomes Low

1. Place a few drops of silicone oil or teflon oil from the pellet entrance. Insert BB pellets into the magazine and fire around 1 to 2 magazines.
2. To complete the cleaning, use the cleaning rod (with cotton), to remove excess oil.



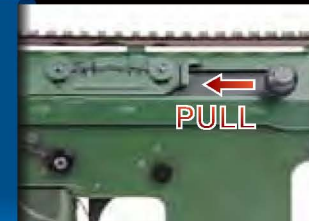
Removing Clogged Bullets

1. Return the hop-up dial to the zero position and insert the cleaning rod from the lead edge of the barrel.
2. To remove clogged BB's, carefully insert the cleaning rod inside the barrel with the flat tip facing down as shown below.



HOP - UP ADJUSTMENT

Pull the cocking handle backwards. Turning the hop-up dial can help you achieve your ideal flight pattern of the BB pellet.
 The hop-up dial can only be turned a certain amount. Turning too much will damage the unit.



Too much Hop-Up.
 (Return the lever toward **NORMAL**)

Best position. **O**

Not enough Hop-Up. (Move the lever toward **HOP**)



CAUTION

Never hold the gun sideways as the BB pellets will curve right or left. This is due to the Hop-Up system.

After Operation

After removing the magazine, direct the muzzle towards a safe direction and fire the gun a few times in semi-auto. Set the selector to the safe position.

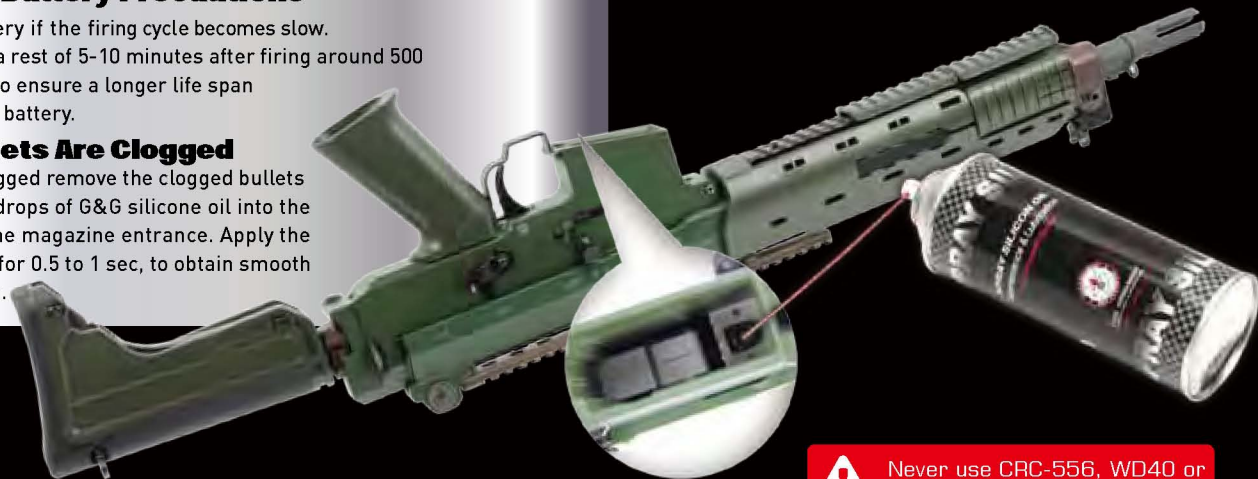
Always disconnect the battery and attach the protective cap whenever you do not operate the air gun.

Motor and Battery Precautions

Charge the battery if the firing cycle becomes slow. Give the air gun a rest of 5-10 minutes after firing around 500 rounds in order to ensure a longer life span of the motor and battery.

When Bullets Are Clogged

If bullets are clogged remove the clogged bullets and apply a few drops of G&G silicone oil into the chamber from the magazine entrance. Apply the G&G silicone oil for 0.5 to 1 sec, to obtain smooth continuous firing.



CAUTION

Make sure no dirt gets into the chamber to avoid clogging of bullets. The hopping up operation may be unstable for 200 to 300 rounds after using silicone oil, this is the normal operation for the gun.

! Never use CRC-556, WD40 or other corrosive lubricants.

TROUBLESHOOTING

SYMPTOM	POTENTIAL	CORRECTIVE
No operation at all	Selector lever is set to safety.	Set the selector lever to Semi or Full Auto.
	Battery is not charged.	Charge the battery.
	Battery connector is disconnected.	Connect the connector.
	The + and - of battery connector is reversed.	Reverse the battery connector to the correct spots.
	Expired motor life (50,000 to 60,000 rounds) or poor electrical connection.	Replace the dead motor (can be purchased from local dealer or directly from G&G). Check and repair the contacts.
Although motor is revolving, no pellet can be fired	Pellets are clogged inside the magazine.	Insert the charging rod into the magazine and move up and down a few times to remove clogged pellets.
	Pellets are clogged in the chamber.	Remove clogged pellets using the cleaning rod.
	Faulty gear.	Purchase the replacement gear from your dealer or G&G and repair.
Impossible full-auto operation(automatic firing)	Insufficient battery power.	Charge the battery.
	Faulty pellet feed of magazine.	Repair clogging of the magazine.
	Poor electrical connection.	Consult your local dealer or G&G for overhaul maintenance repair.
Shooting distance becomes shorter	Damaged or worn chamber set.	Replace the replacement parts(Purchase from your local dealer or G&G)
	Damaged or worn piston set (O-ring,piston spring)	
	Something is jammed in the inner barrel	Use the cleaning rod and clean the inner barrel.
	Faulty BB pellets (too small or heavy)	Use genuine G&G Pellets.
	Shortage of silicone oil	Place a few drops of silicone oil from upper the chamber.
Too loud operating noise	Worn or damaged gear	Consult your local dealer or G&G for overhaul maintenance, part replacement (gear,etc.) or repair.
	Gear problem caused by too many blank firing	
Pellets being fallen out from barrel end	Damaged or worn chamber set.	Turn the hop adjustment lever toward Hop. Consult your local dealer or G&G for the correct BB pellet size
	No hop setting.	
Pellets being fallen out from barrel end	Faulty BB Pellets (too small or heavy)	
If gun gets wet	Stop operation immediately, disconnect the battery, wipe off the water inside the main body and the battery. After completely drying the gun, carry out trial firing. If the unit is not operational, please contact your local dealer for repair.	

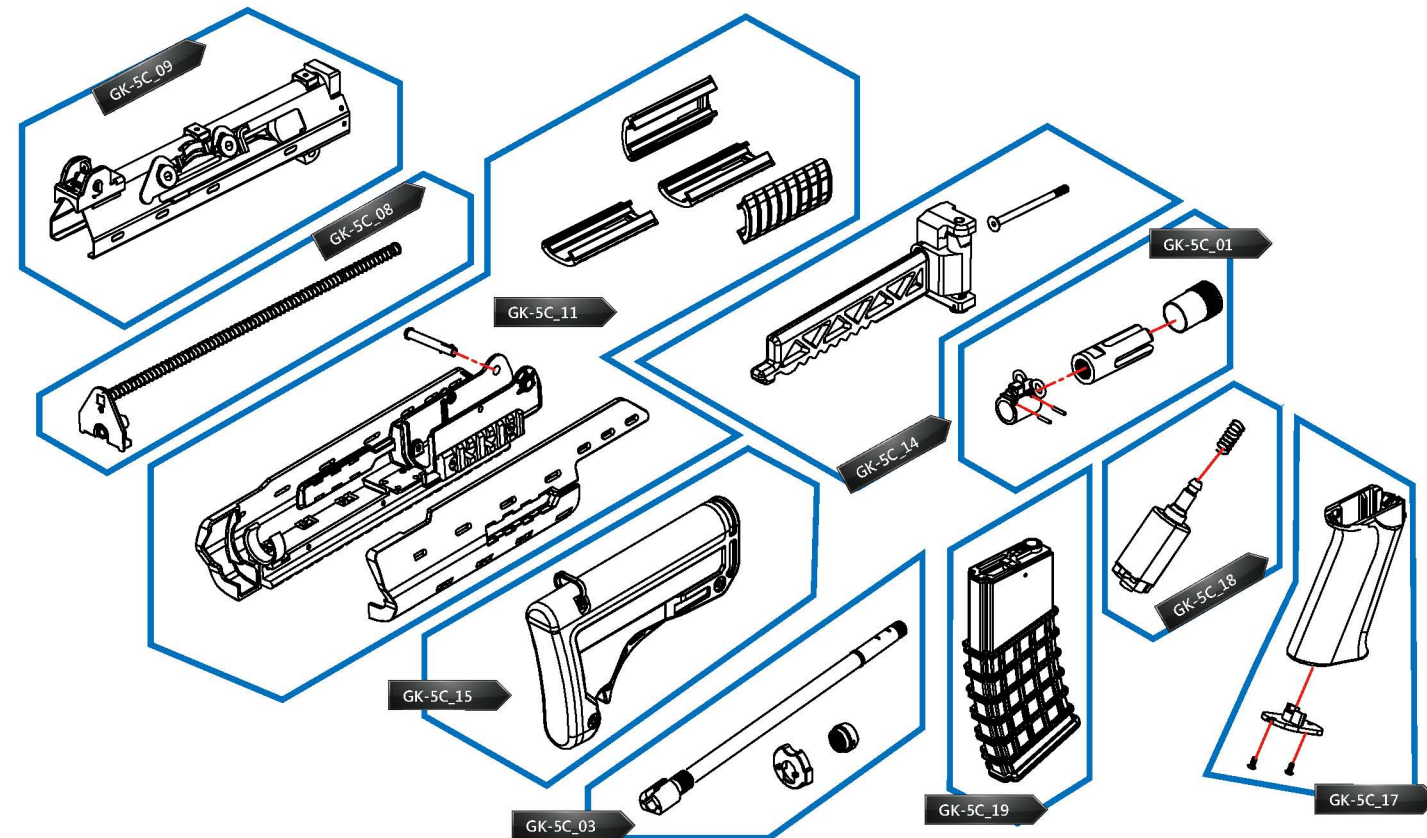
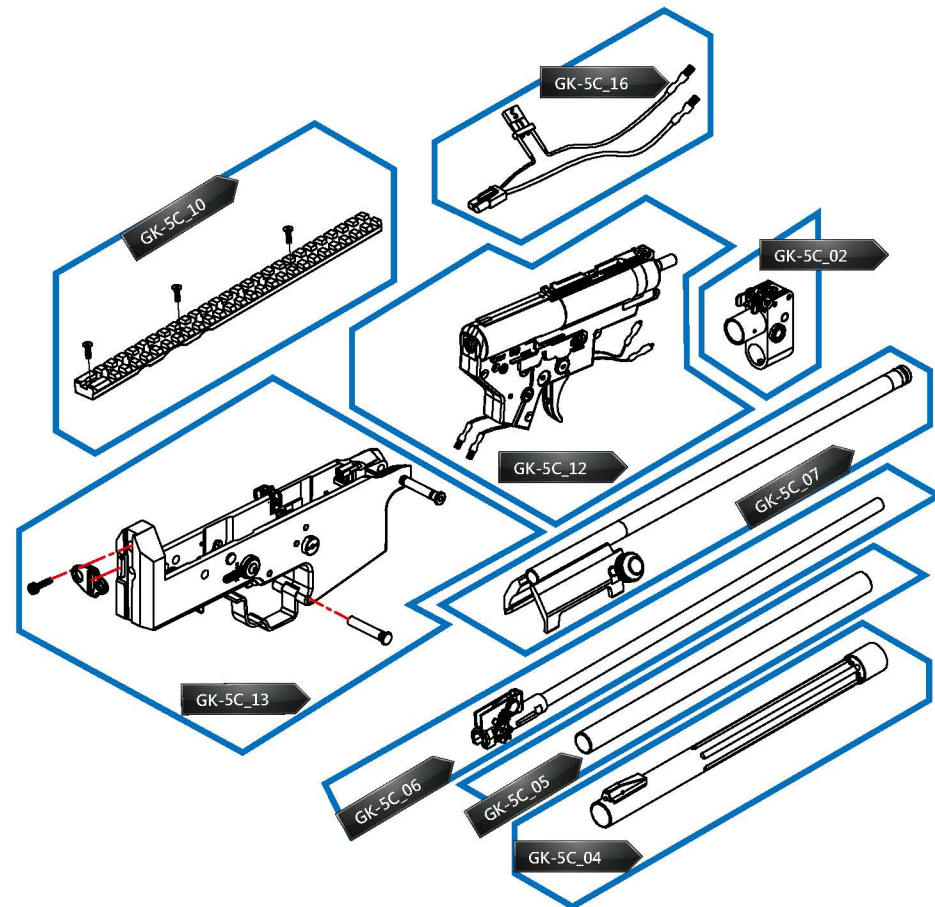
DISCLAIMER

- Accessories shown in the pictures are not always included with the product.
- Adult supervision required for users under 18 years of age.
- The purchaser and user should conform to all laws governing the ownership of airsoft guns.
- All products in this manual are imitation firearms and are not intended nor represented to be comparable in design, appearance, or function to any actual firearm offered by other manufacturers.
- Product names are trademarks of G&G, which has no affiliation to, and is not associated, or sponsored by any manufacturer of actual or imitation firearms. Products may vary from the pictures.

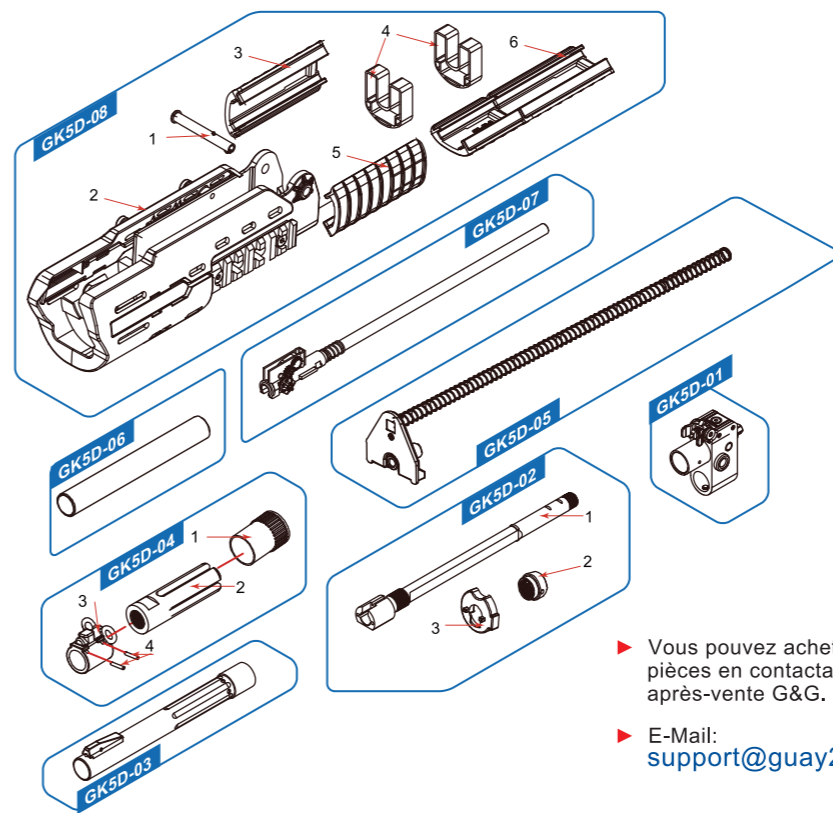
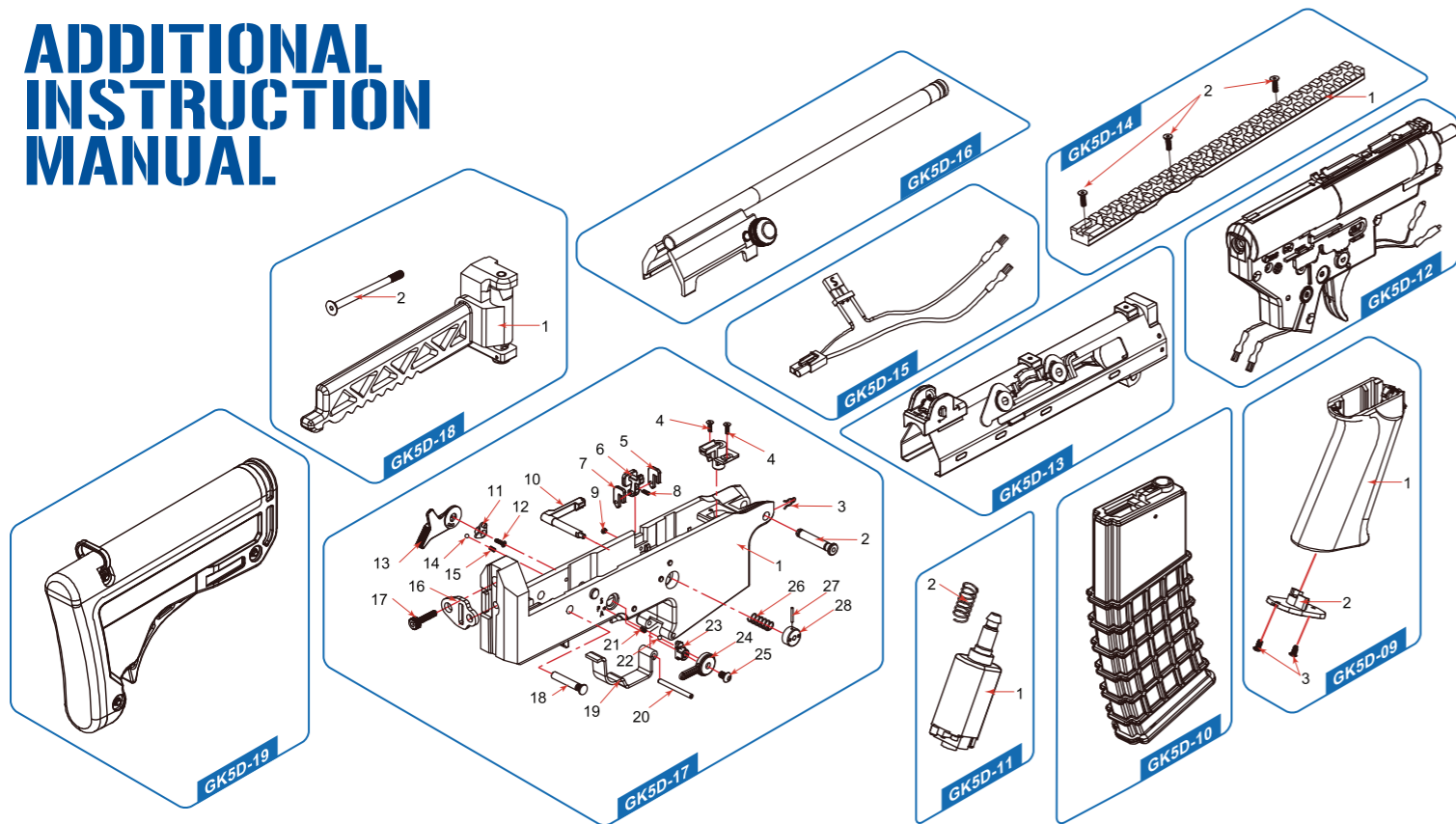
CAUTION When a problem occurs, please check the steps above. If any other problems occur, please contact your local dealer or G&G.

PARTS LIST

No.	Parts Name
GK-5C_01	Flash Hider
GK-5C_02	Gas Block
GK-5C_03	Outer Barrel Set
GK-5C_04	Gas Tube
GK-5C_05	Gas Nozzle Sleeve
GK-5C_06	Inner Barrel & Hop Up
GK-5C_07	Charging Handle
GK-5C_08	Recoil Spring
GK-5C_09	Upper Receiver
GK-5C_10	Upper Rail
GK-5C_11	Handguard
GK-5C_12	Gear Box
GK-5C_13	Lower Receiver
GK-5C_14	Folding Stock Latch
GK-5C_15	Stock
GK-5C_16	Front Wire
GK-5C_17	Pistol Grip
GK-5C_18	Motor
GK-5C_19	Magazine



ADDITIONAL INSTRUCTION MANUAL



- GK5D-01** Gas Block
- GK5D-02** Outer Barrel Set
- GK5D-03** Gas Tube
- GK5D-04** Flash Hider Set
- GK5D-05** Charging Handle Spring & Spring guide
- GK5D-06** Gas Nozzle Sleeve
- GK5D-07** Inner Barrel & Hop Up
- GK5D-08** Handguard Set
- GK5D-09** Grip Set
- GK5D-10** Magazine
- GK5D-11** Motor Set
- GK5D-12** Gear Box Set
- GK5D-13** Upper Receiver Set
- GK5D-14** Upper Rail Set
- GK5D-15** Front Wire
- GK5D-16** Charging Handle
- GK5D-17** Lower Receiver Set
- GK5D-18** Folding Stock Latch
- GK5D-19** Stock

▶ Vous pouvez acheter ces pièces en contactant le service après-vente G&G.

▶ E-Mail: support@guay2.com