

LUCKY DRAW 2023 GRAND PRIZE

GMG42



**SELL G&G AND WIN G&G
 BUY G&G AND WIN G&G**

Register your gun tag for a chance to win a free rifle.



TAIWAN Sales Dept. sales@guay2.com , b2b@guay2.com
 Customer Support Dept. support@guay2.com
 PR Dept. pr@guay2.com
 G3-202301-02 英

ChangHua Tel : +886-4-798-9000 Fax : +886-4-798-9900
 (Headquarter) No.999, Zhonghua Rd. Shengang Township,
 Changhua County 50952, Taiwan (R.O.C.)

Dealer



2023 NEW PRODUCT CATALOG

G&G WWW.GUAY2.COM **ARMAMENT**



GPM92 Receiver
GAS-GPM-92F-BBB-ECM

GPM92 Light Weight 55R Magazine
G-08-215 (CO2)
G-08-216 (GAS)



92-PCK Hop-Up Adjustment tool



SS-50 Mock Suppressor-Black 14mm
G-01-015 (14mm CCW)
G-01-015-1 (14mm CW)

Folding Stock

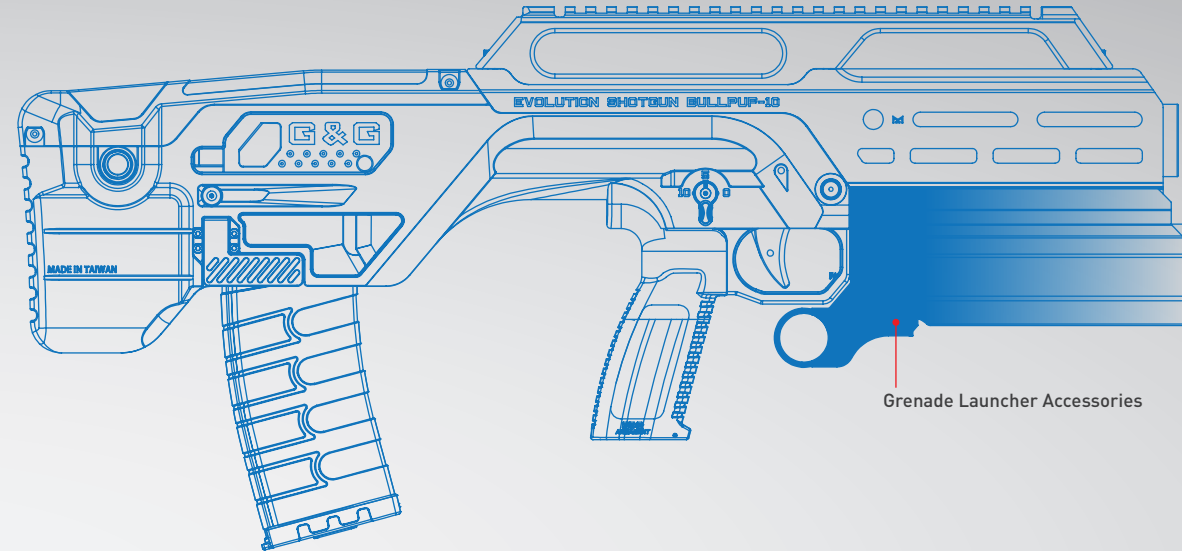
92-PCK

GAS-PCK-92M-BBB-ECM

LENGTH / 620 mm
MAGAZINE / 50 Rounds
INNER BARREL / 220 mm



COMING SOON



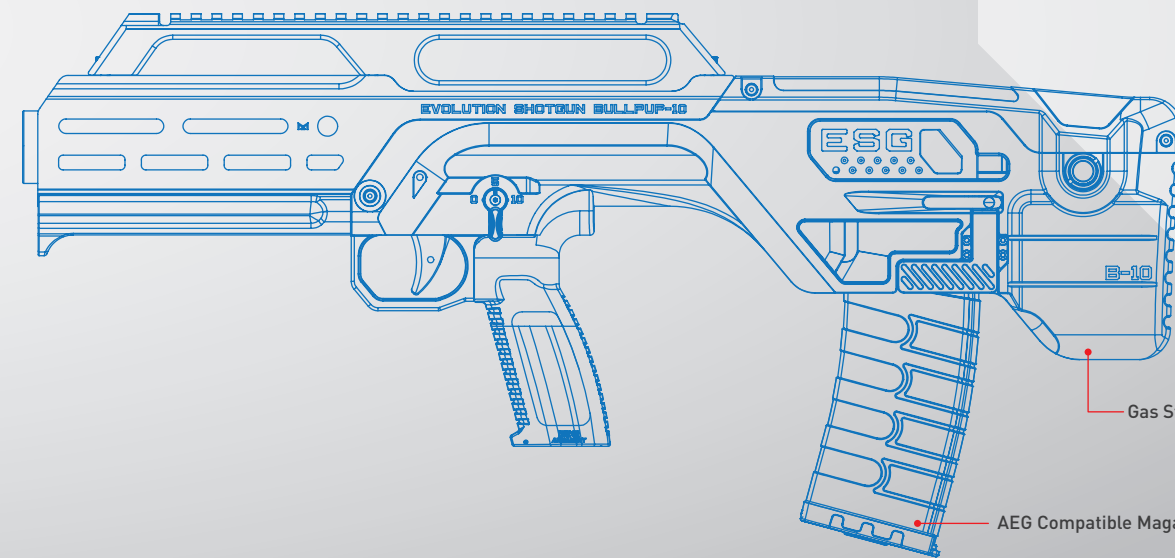
Grenade Launcher Accessories



Grenade Launcher Rifling

ESG B-10

GAS-ESG-B10-BBB-ECM



Gas Storage

AEG Compatible Magazine



COMING SOON



675mm



FAR - 9

EGC-FAR-9MM-BNB-NCM

LENGTH / 675 mm
MAGAZINE / 68 Rounds
INNER BARREL / 205 mm

COMING SOON

252.8mm



FOLDING AR 9MM



682.6mm



FAR - 556

EGC-FAR-556-BNB-NCM

LENGTH / 682.6 mm
MAGAZINE / 105 Rounds
INNER BARREL / 168 mm

COMING SOON

252.8mm



FOLDING AR 5.56MM





709.6mm



COMING SOON



525.8mm

G&G MCP



MCP - 556

EGC-MCP-556-BNB-NCM

LENGTH / 709.6 mm

WEIGHT / 2650 g

MAGAZINE / 105 Rounds

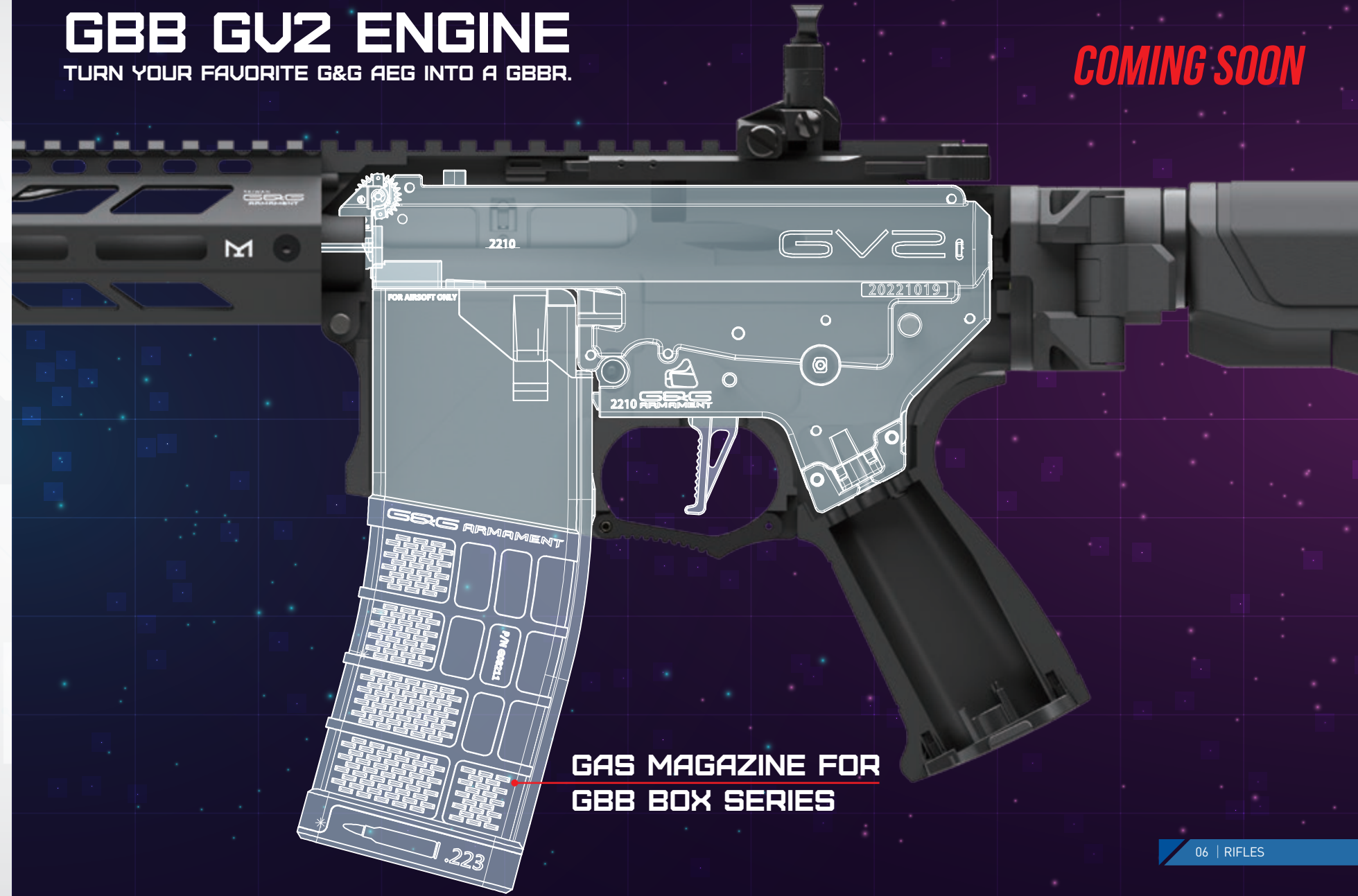
INNER BARREL / 233 mm



GBB GV2 ENGINE

TURN YOUR FAVORITE G&G AEG INTO A GBBR.

COMING SOON



GAS MAGAZINE FOR
GBB BOX SERIES



120 Click Hop-Up Adjustment

Precision Tuned

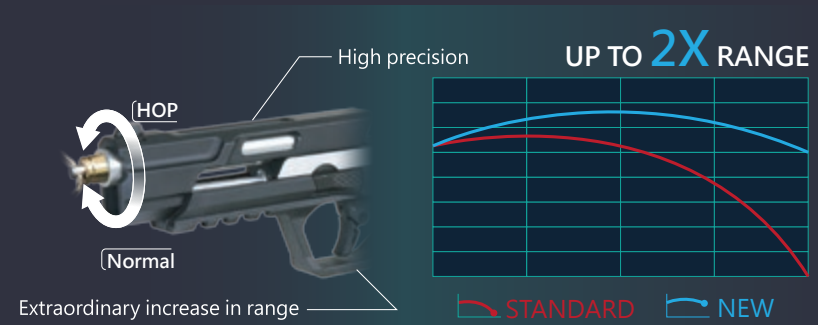
Enlarged Gas Valve

Superior Gas Efficiency

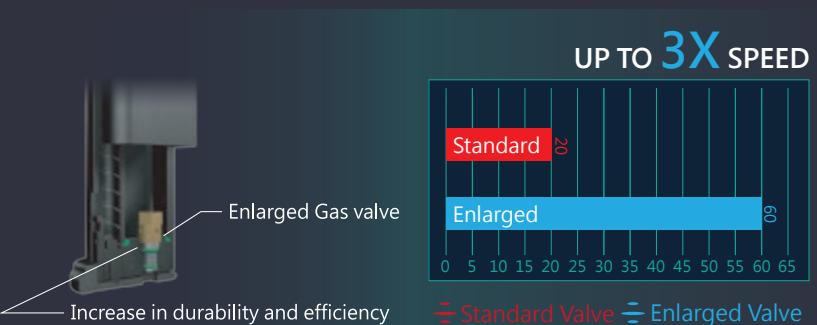
Whirl Cylinder Technology

Long-Lasting Performance

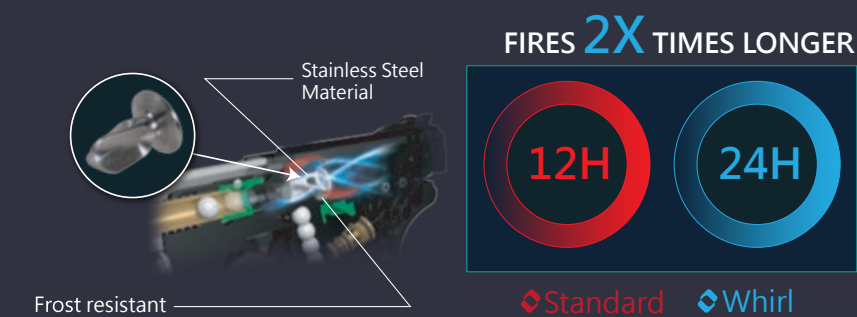
Special Bullet shaped Hop Up tool
120 clicks of Hop Up adjustment.



Three times more efficient when loading gas.
Three times more durable.
Complete Air Seal.



Stainless Cylinder Spinning Valve reduces frost build-up inside cylinder.



3 Major Technological Breakthroughs

G&G ARMAMENT | 100% MADE IN TAIWAN

3 Major Technological Breakthroughs

1. 120 clicks of Hop Up adjustment.
2. Three times more efficient when loading gas. Three times more durable. Complete Air Seal.
3. Stainless Cylinder Spinning Valve reduces frost build-up inside cylinder.



GPM1911 CP MACARON BLUE

GAS-CPP-MAC-IBB-ECM

IT'S A WORK OF ART...



 **CO2 MAGAZINE COMPATIBLE**



**GPM1911 CP
COMPETITION RED**
GAS-GPM-19C-RBB-ECM



**GPM1911 CP
MACARON BLUE & GOLD**

PRECISION STAINLESS CERA-COATING



CO2 MAGAZINE

CO2 MAGAZINE COMPATIBLE MODELS



PATENTED CO2 OUTPUT VALVE

Patented CO2 output valve constructed from stainless steel for ultimate durability. Newly designed valve body ensures consistent output flow for stable performance.

BALL BEARING END CAP

New CO2 magazine comes with a ball bearing end cap for easier installation of CO2 cartridge.



GPM1911 GP2

CO2-GPM-191-BBB-ECM



GPM1911 CP

CO2-GPM-M19-BBB-ECM



GPM92 GP2

CO2-M92-GP2-BBB-ECM



GPM9 MK3

CO2-GPM-9A3-BBB-ECM

G-08-194

GPM1911 CO2 26R MAGAZINE

G-08-195

GPM1911 CP CO2 30R MAGAZINE

G-08-191

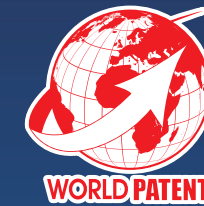
GPM92 CO2 27R MAGAZINE





G3 SYSTEM

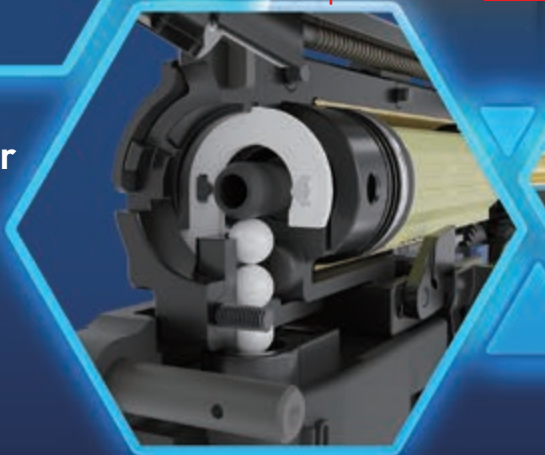
- G&G's first split gearbox design
- Optic sensor module
- **Patented power-cut system**
- Modular QD electronic board
- Pre-cocking mode
- Adjustable trigger travel
- Progressive trigger mode
- Innovative hop-up chamber module



Split Gearbox Design



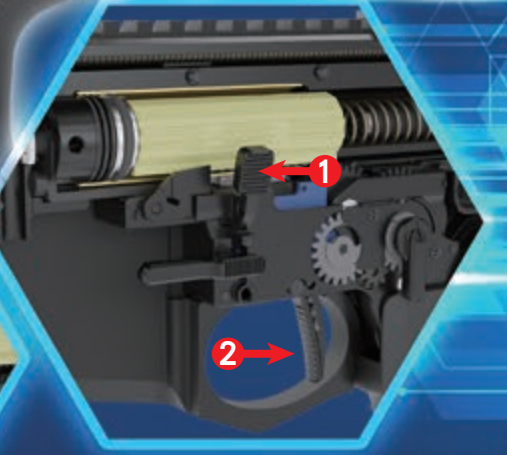
Lock-in Hop-up chamber



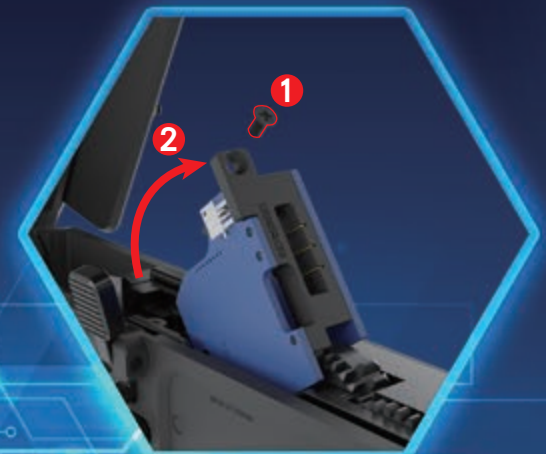
Power-cut off when chamber is empty



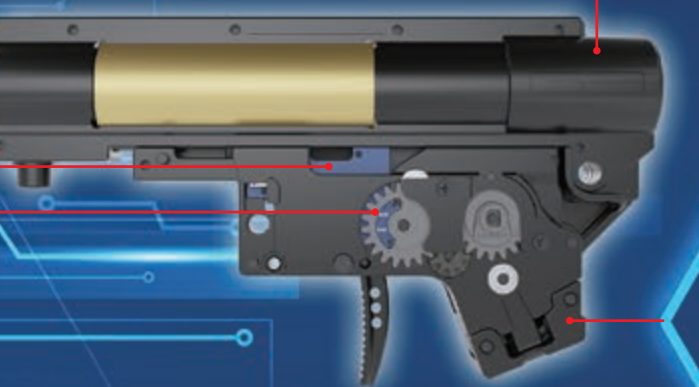
Pre-cocking feature



After magazine reload, press bolt release button to resume fire



Modular electronic board for easy replacement



Optical burst control module



Quick change Spring guide



Split gearbox design



Replaceable motor-angle plate



SGR 556
TGR-SGR-556-BNB-NCM

LENGTH / 796 mm
WEIGHT / 3036 g
MAGAZINE / 120 Rounds
INNER BARREL / 330 mm



G3 MOSFET Standard Remote Controller
G-12-047



G3 MOSFET Master Remote Controller
G-12-047-1

G3 SYSTEM REMOTE CONTROLLER

- White Remote controller for programming the electronic trigger with single push of a button.
- Black MASTER Remote controller for programming multiple SGR 556 and locking feature for field restriction purposes.

- Power-Cut On/Off
- Reset
- Burst Mode
- Trigger Travel Setting
- Function Key
- Lock (Black Remote Only)
- Pre-Cocking Setting
- Self Diagnostic



Stock with dual adjustment levers

Ergonomic vertical grip

Enlarged magazine catch

9" M-LOK rail system with anti-rotation tab



ADJUSTABLE CHEEK REST

ADJUSTABLE STOCK KNOB

[WORLD PATENT] CONDUCTIVE - HINGE FOLDING STOCK

STOCK MONOPOD

ADJUSTABLE STOCK PAD



GOS-VIZ



TR80 DMR

TGR-TR8-DMR-BNB-NCM

LENGTH / 1002.2 mm

WEIGHT / 3300 g

MAGAZINE / 48 Rounds

INNER BARREL / 475 mm



G3 MOSFET Standard Remote Controller
G-12-047

POWER MAINTAINS CONNECTION IN ANY STOCK POSITION.



COMING SOON



BAMF RECON
EGC-BAM-REC-BNB-NCM

LENGTH / 782 mm
WEIGHT / 2967 g
MAGAZINE / 90 Rounds
INNER BARREL / 330 mm

BAMF RECON DST
EGC-BAM-REC-DNB-NCM

LENGTH / 782 mm
WEIGHT / 2967 g
MAGAZINE / 90 Rounds
INNER BARREL / 330 mm

BAMF STEALTH
EGC-BAM-STL-BNB-NCM

LENGTH / 660 mm
WEIGHT / 2646 g
MAGAZINE / 90 Rounds
INNER BARREL / 233 mm

COBALT
KINETICS
FULLY LICENSED

SPORT LINE POLYMER LIGHT WEIGHT RECEIVER



COMBAT
MACHINE
AIRSOFT GUNS



New GOS V9 Stock

[G-05-061]



GOS-V9 EXTENSION KIT
[G-05-062]

RAPID DEPLOYMENT

5 RETRACTABLE
POSITIONS

COMPATIBLE
WITH CM LOWER

EXTENSION UNIT AVAILABLE
[G-05-062]



WORLD PATENT

TGM R5 ETU



TGM R5 ETU

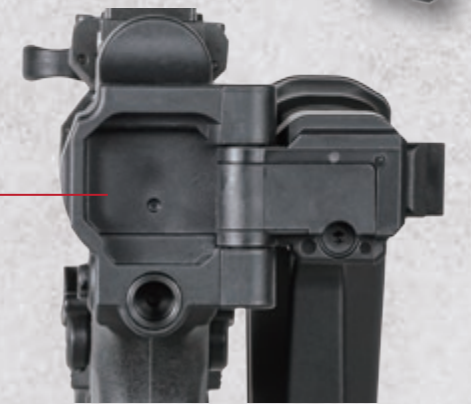
TGP-R05-FLD-BNB-NCM

LENGTH / 684.1 mm
WEIGHT / 2820 g
MAGAZINE / 130 Rounds
INNER BARREL / 233 mm

TGM(MP5) 130R Magazine
G-08-204



FCCM
Four
Channel
Converging
Magazine



▲ POWER MAINTAINS CONNECTION IN ANY STOCK POSITION.



LEE ENFIELD NO.4 MKI



LE4 MKI-P

GGs-LE4-GAS-IWS-ECM

LENGTH / 1135 mm

WEIGHT / 3402 g

MAGAZINE / 10 Rounds

INNER BARREL / 625 mm



CNC ASH WOOD STOCK SERIES



LE4 MKI

GGs-LE4-GAS-WNB-UCM



LE4 MKI SNIPER

GGs-LE4-SNP-WNB-UCM

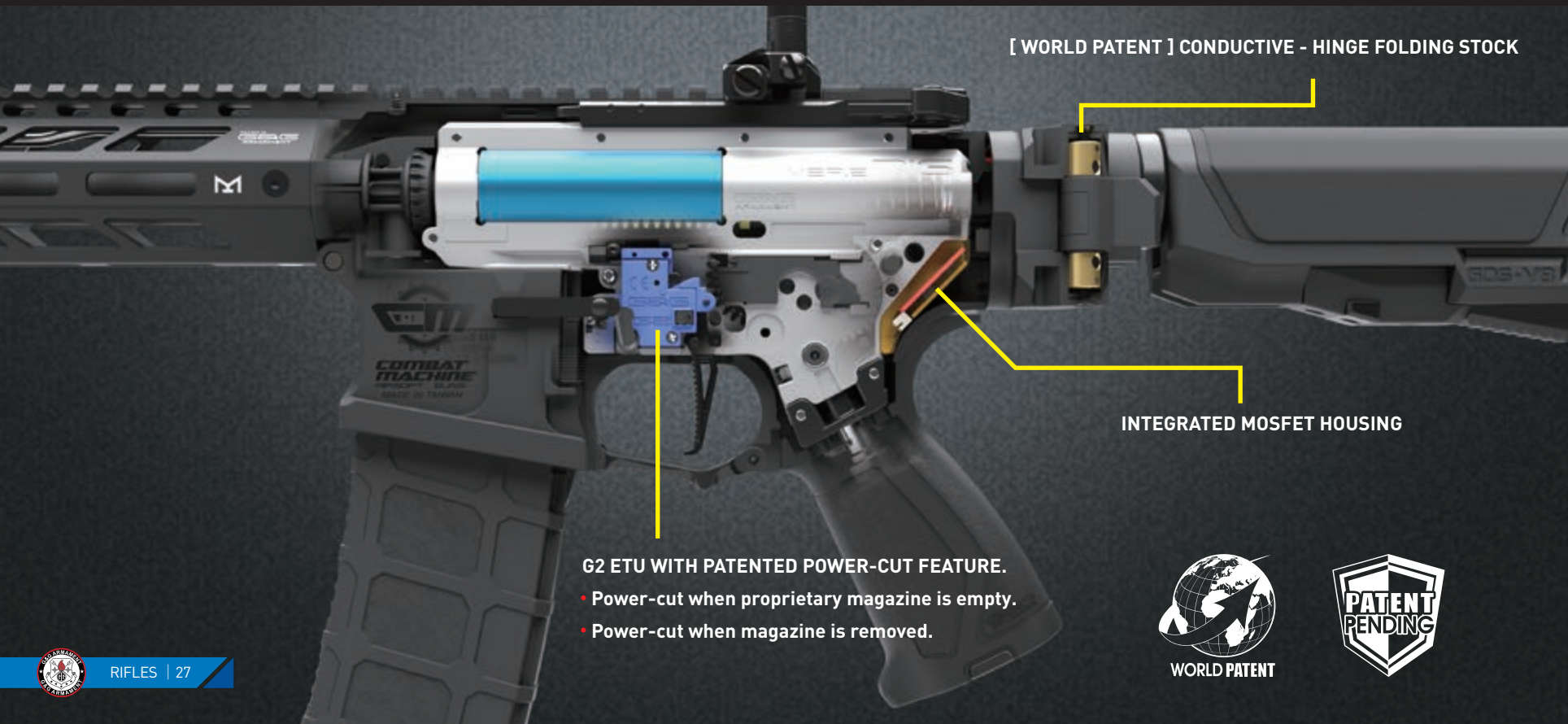
COMING SOON



MIG ENHANCED

FOR
COMBAT MACHINE

- MOSFET INTEGRATED GEARBOX.
- PATENTED POWER-CUT FEATURE.
- PATENTED STOCK ELIMINATES WIRE EXPOSURE WHEN STOCK IS FOLDED.
- POWER MAINTAINS CONNECTION IN ANY STOCK POSITION.
- SEALED COVER PREVENTS HAZARD FROM ELECTRICAL SHOCK.
- HIGH STRENGTH, NYLON FIBER-REINFORCED, INJECTION-MOLDED POLYMER HINGE.



[WORLD PATENT] CONDUCTIVE - HINGE FOLDING STOCK

INTEGRATED MOSFET HOUSING

G2 ETU WITH PATENTED POWER-CUT FEATURE.

- Power-cut when proprietary magazine is empty.
- Power-cut when magazine is removed.



CM16 SRF 9"
EGC-16P-09F-BNB-NCM



CM16 SRF 16"
EGC-16P-16F-BNB-NCM

◀ POWER MAINTAINS CONNECTION IN ANY STOCK POSITION.

CM16 SRF	RECEIVER	LENGTH	WEIGHT	BEARINGS	MAGAZINE	TYPE	INNER BARREL	ELECTRONIC TRIGGER	MOSFET
9"	Polymer	758.3mm	2535g	8mm	90R	AEG	260mm	Yes	Yes
16"	Polymer	953.6mm	2850g	8mm	90R	AEG	463mm	Yes	Yes



[WORLD PATENT] CONDUCTIVE - HINGE FOLDING STOCK



- ELIMINATES WIRE EXPOSURE WHEN STOCK IS FOLDED.
- POWER MAINTAINS CONNECTION IN ANY STOCK POSITION.
- SEALED COVER PREVENTS HAZARD FROM ELECTRICAL SHOCK.
- HIGH STRENGTH, NYLON FIBER-REINFORCED, INJECTION-MOLDED POLYMER.
- COMPATIBLE WITH G&G PCC45 LOWER RECEIVER.

[WORLD PATENT] MID CAPACITY 130R SPRING MAGAZINE



- SILENT WHEN LOADED. (NO WINDING)
- SUPPORTS HEAVY-WEIGHT BBS. (UP TO 0.4g)
- SUPPORTS HIGH-CYCLE ROF. (UP TO 32RPS)
- HIGH STRENGTH, NYLON FIBER-REINFORCED, INJECTION-MOLDED POLYMER.
- VIEWING WINDOW TRACKS BB CAPACITY.
- COMPATIBLE WITH G&G PCC45 LOWER RECEIVER.





MXC9 ENHANCED VERSION

EGC-MXC-EV9-BNB-NCM

LENGTH / 605 mm
WEIGHT / 2180 g
MAGAZINE / 130 Round
INNER BARREL / 128 mm



METAL HANDGUARD



MXC - 9

EGC-MXC-9MM-BNB-NCM

LENGTH / 605 mm
WEIGHT / 2060 g
MAGAZINE / 130 Round
INNER BARREL / 128 mm



POLYMER HANDGUARD

MXC 9

MULTI-CALIBER XTREME COMPACT LIGHTWEIGHT

PATENTED



CM16 SRS M-LOK

EGC-16P-RSM-BNB-NCM

Length / 630 mm
Weight / 2300 g
Magazine / 105 Rounds
Inner Barrel / 205 mm



CM16 SRL M-LOK

EGC-16P-RLM-BNB-NCM

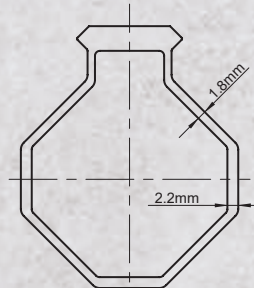
Length / 718 mm
Weight / 2395 g
Magazine / 105 Rounds
Inner Barrel / 260 mm



CM16 SRXL M-LOK

EGC-16P-XLM-BNB-NCM

Length / 792.5 mm
Weight / 2495 g
Magazine / 105 Rounds
Inner Barrel / 330 mm



NEW ALUMINUM ALLOY M-LOK RAIL SYSTEM WITH 2mm+ THICKNESS.





POLYMER HANDGUARD



METAL HANDGUARD



ARP9 3.0P

EGC-ARP-V3P-BNB-NCM

LENGTH / 582.5 mm
WEIGHT / 1900 g
MAGAZINE / 68 Rounds
INNER BARREL / 128 mm



ARP9 3.0

EGC-ARP-9V3-BNB-NCM

LENGTH / 582.5 mm
WEIGHT / 1940 g
MAGAZINE / 68 Rounds
INNER BARREL / 128 mm



WORLD PATENT



PATENT PENDING



CHFS CONDUCTIVE HINGE FOLDING STOCK

- POWER MAINTAINS CONNECTION IN ANY STOCK POSITION.
- SEALED, NYLON FIBER-REINFORCED POLYMER HINGE.

- ULTRA COMPACT DESIGN
- MOSFET INTEGRATED GEARBOX.
- MAXIMUM CAPACITY 68R SHORT MAGAZINE



ARP9 2.0ST

M-LOK Handguard.
Combat Machine Airsoft Gun.
New GOS-V9 Retractable Stock.



ARP9 2.0ST

EGC-ARP-9V2-SST-NCM

LENGTH / 597.8 mm
WEIGHT / 1964 g
MAGAZINE / 170 Rounds
INNER BARREL / 168 mm



5 RETRACTABLE POSITIONS



RAPID DEPLOYMENT



EXTENSION UNIT AVAILABLE [G-05-062]





ARP 9 2.0

EGC-ARP-9V2-BNB-NCM

LENGTH / 597.8 mm

WEIGHT / 1964 g

MAGAZINE / 170 Rounds

INNER BARREL / 168 mm



ARP556 2.0

EGC-556-V02-BNB-NCM

LENGTH / 597.8 mm

WEIGHT / 2071 g

MAGAZINE / 300 Rounds

INNER BARREL / 168 mm



CM16 PREDATOR M-LOK

EGC-16P-PMK-BNB-NCM

LENGTH / 721 mm

WEIGHT / 2550 g

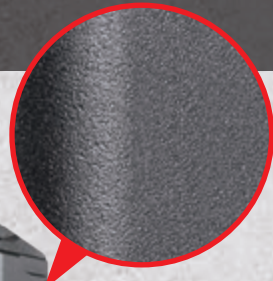
MAGAZINE / 105 Rounds

INNER BARREL / 260 mm



- ◆ **LIGHT-WEIGHT** ALUMINUM ALLOY CONSTRUCTION
- ◆ **DURABLE HARD-ANODIZED FINISH**

G&G Light Weight Gas/CO2 pistol magazine series comes with aluminum alloy body to reduce the overall weight on your pistol. Increase your magazine capacity to 50/55 rounds without bearing the weight.



GTP9 CO2 Light Weight 50R Hi-Cap Magazine
G-08-199

GTP9 Ver.2 Light Weight 50R Gas Magazine
G-08-200

GLK CO2 Light Weight 50R Magazine (Marui GLOCK Compatible)
G-08-206

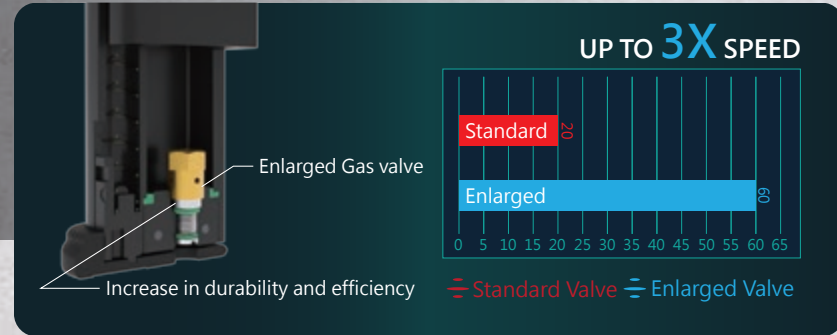
GLK GAS Light Weight 50R Magazine (Marui GLOCK Compatible)
G-08-207

GPM92 CO2 Light Weight 55R Magazine
G-08-215

GPM92 GAS Light Weight 55R Magazine
G-08-216

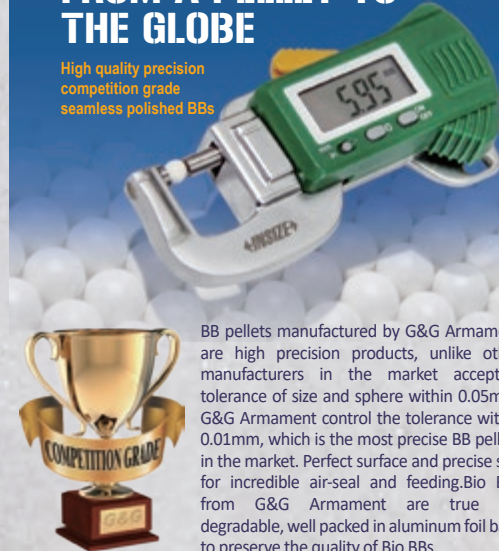


★ Three times more efficient when loading gas. Three times more durable. Complete Air Seal.



FROM A PELLET TO THE GLOBE

High quality precision competition grade seamless polished BBs



BB pellets manufactured by G&G Armament are high precision products, unlike other manufacturers in the market accepting tolerance of size and sphere within 0.05mm, G&G Armament control the tolerance within 0.01mm, which is the most precise BB pellets in the market. Perfect surface and precise size for incredible air-seal and feeding. Bio BBs from G&G Armament are true bio degradable, well packed in aluminum foil bags to preserve the quality of Bio BBs.

G&G Armament's BB pellets are well known for the best choice for high precision barrels and jam free BB pellets. 100% Made in Taiwan and highest quality guaranteed.

BIO



0.20G >

G-07-103
(WHITE) 5000Shots



0.25G >

G-07-126
(WHITE) 4000Shots



0.28G >

G-07-127
(WHITE) 3571Shots

Tracer BB

2700 SHOTS BOTTLE >



G-07-266
(RED) 0.20g



G-07-267
(RED) 0.25g



G-07-264
(GREEN) 0.20g



G-07-265
(GREEN) 0.25g



G-07-268
(GREEN) 0.28g

2700 SHOTS BOTTLE >



G-07-215
(WHITE) 0.20g



G-07-218
(WHITE) 0.25g



G-07-221
(WHITE) 0.28g



G-07-269
(GRAY) 0.40g

ABS

0.20G >



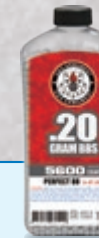
G-07-096
(WHITE) 5000Shots

0.25G >



G-07-097
(WHITE) 4000Shots

5600 SHOTS CAN >



G-07-232
(WHITE) 0.20g



G-07-233
(WHITE) 0.25g



G-07-234
(WHITE) 0.28g



G-07-242
(GRAY) 0.30g



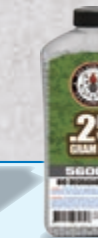
G-07-238
(WHITE) 0.20g



G-07-240
(WHITE) 0.25g



G-07-243
(WHITE) 0.28g



G-07-244
(GRAY) 0.33g

Bio BB is biodegradable under specific compost environment (ISO 14855-1)

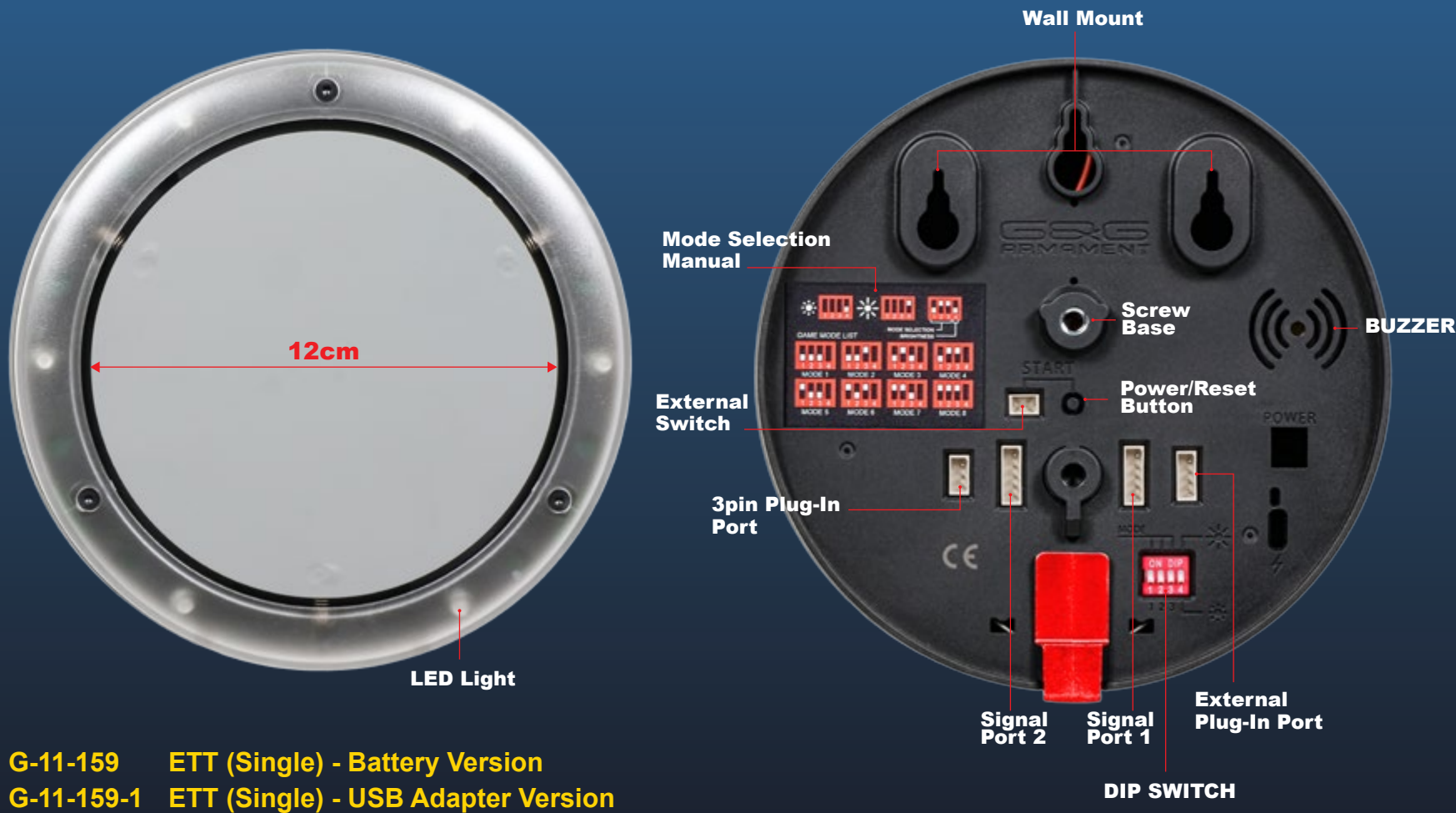
For more BBs, please visit > www.guay2.com





E.T.T. ELECTRONIC TRAINING TARGET

I.R.E.T.T.



G-11-159 ETT (Single) - Battery Version
 G-11-159-1 ETT (Single) - USB Adapter Version



G-11-160 ETT IR (Single) - Battery Version
 G-11-160 -1 ETT IR (Single) - USB Adapter Version





1 3X2 TARGET SYSTEM
(TIMER EXCLUDED)
G-11-169 (75x101x61cm)



2 3X2 TARGET SYSTEM
(TIMER INCLUDED)
G-11-169-1 (75x101x61cm)



5 5X5 TARGET SYSTEM
(TIMER EXCLUDED)
G-11-165 (120x180x82cm)



6 5X5 TARGET SYSTEM
(TIMER INCLUDED)
G-11-165-1 (120x180x82cm)



3 3X3 TARGET SYSTEM
(TIMER EXCLUDED)
G-11-167 (75x127x61cm)



4 3X3 TARGET SYSTEM
(TIMER INCLUDED)
G-11-167-1 (75x127x61cm)



G-11-161
ETT Precision Shooting Cover - 2cm



G-11-162
ETT Precision Shooting Cover - 4cm



G-11-163
ETT Precision Shooting Cover - 8cm

8 CHALLENGE MODES

Different challenge mode can only be selected when 2 or more ETTs are connected.

1) Competition Mode

After Mode 1 selected, press the [Start Button] to start the challenge. In this mode, ETT will stand-by with green lights on. When the ETT received the shot, lights will turn red and stay in red until reset by pressing the [Start button] again. This mode is suggested in "quick draw" style competition.

2) Versus Mode

After Mode 2 selected, press the [Start Button] to start the challenge. In this mode, ETT will flash in green lights and count down 5 seconds by flashing once per second. After 5 seconds passed, the ETT will stay in green and ready to receive the shot. After ETT being shot, the lights will turn red and stay in red until reset by pressing the [Start Button] again. This mode is suggested in "showdown" style competition.

3) Search & Destroy Mode

After Mode 3 selected, press the [Start Button] to start the challenge. In this mode, ETT will stay in green lights and emit sounds. The sound will stop and ETT turns red after received a shot then switch on another ETT in random order if connected with others. This mode is suggested to set up with multiple ETTs and place them in random locations for shooters to find the ETTs.

4) Practice Mode

After Mode 4 selected, press the [Start Button] to start the challenge. In this mode, ETT will stay in green lights and ready to receive shots. The ETT will turn red and emit one sound after received a shot. If the range is set up with multiple ETTs, the last ETT will flash in red three times and emit a sound after received a shot to signal this challenge is over. This mode is suggested in any style of competition when shooters can easily spot the ETT.

5) Random Mode

After Mode 5 selected, press the [Start Button] to start the challenge. In this mode, ETT will stay in green lights and ready to receive shots. The ETT will turn red after received a shot and one of the other ETTs will light up in random order. If the ETT has not received any shot under 1.5 seconds, then lights off and one of the other ETTs will light up in random order. When the last ETT received a shot, then it will flash red three times and turns off. This mode is suggested in any style of competition when shooters can easily spot the ETT.

6) Hostage Rescue Mode

After Mode 6 selected, press the [Start Button] to start the challenge. In this mode, ETT will change between green and red lights within 1.5 seconds. When ETT received a shot under green lights, it will emit a sound then turns off, but when it received a shot under red lights, it will stay in red without emit any sound. If ETT was connected with others, then the last ETT received a shot under green light will flash three times and the challenge is over. To start another run, press [Start Button] again to reset the game. This mode is suggested in "hostage scenario simulation" style competition.

7) Time Bomb Mode

After Mode 7 selected, press the [Start Button] to start the challenge. In this mode, ETT will change from green to red lights then turns off after received a shot, then randomly switch on another ETT if connected with others. If any ETT has not received a shot within 3 seconds, then ETT will turn red and stays in red to signal this challenge is over, until reset by pressing [Start Button] again. This mode is suggested in "extreme time limit" style competition.

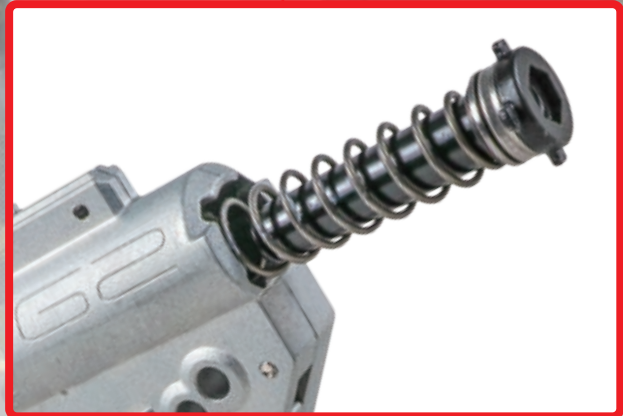
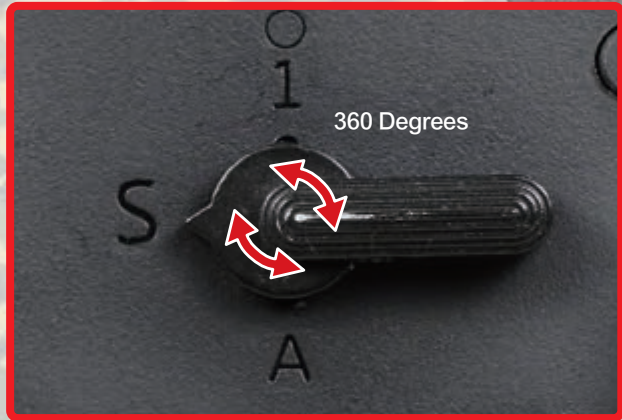
8) Twins Mode

After Mode 8 selected, press the [Start Button] to start the challenge. In this mode, Random two ETTs will stay in green lights and ready to receive shots. These two ETTs must receive a shot under 1.5 seconds or they will switch to any other two ETTs in random order. When the last ETT received a shot, then it will flash three times with red lights to signal this challenge is over. This mode is suggested in any style of competition if there are two or more shooters.

STAY TUNED FOR MORE UPCOMING ACCESSORIES.



G&G ARMAMENT TRAINING DEVELOPMENT UNIT



Switch to semi-auto, hold trigger down for 5 seconds
(NOTE: this will fire one shot).
[BEEP] 3 times then release the trigger to enter the program mode.



Before program the MOSFET, magazine must be loaded with BBs and installed into the gun.
After entering the program mode, setting must be completed within 5 seconds, or the system will exist the program.
Entering wrong command will exist the program.

After entered program mode:

[Default Setting]

Hold trigger down for 3 seconds, continue [BEEP] sound until the trigger released to complete the program.

[Pre-cocking]

Pull trigger twice and hold the trigger on the second pull for 3 seconds, continue [BEEP] until trigger released to complete program.

[3-Round Burst]

Pull trigger three times and hold the trigger on the third pull for 3 seconds, continue [BEEP] until trigger released to complete program. Now full-auto has been programmed to 3-round burst mode.

[5-Round Burst]

Pull trigger five times and hold the trigger on the fifth pull for 3 seconds, continue [BEEP] until trigger released to complete program. Now full-auto has been programmed to 5-round burst mode.



T91 TRAINING RIFLE

EGC-16P-T91-BNB-NCM

LENGTH / 810 mm

WEIGHT / 3300 g

MAGAZNE / 30/100 Rounds

INNER BARREL / 400 mm



T91 TRAINING RIFLE M/L

TGR-T91-TML-BNB-NCM

LENGTH / 815.2 mm

WEIGHT / 3300 g

MAGAZNE / 30 Rounds

INNER BARREL / 400 mm



Rear wire design for easier access to batteries.



G&G ARMAMENT TRAINING DEVELOPMENT UNIT

G&G cooperated with Taiwanese Army training command and developed GTW91 for correct weight distribution an operation of the training rifle.



GTW91
EGC-16P-T91-BNB-NCM

LENGTH / 810 mm
WEIGHT / 2530 g

MAGAZNE / 450 Rounds
INNER BARREL / 400 mm



Specifications

SEARCH & DESTORY 5 PCS SET

G-11-098

SEARCH & DESTORY 10 PCS SET

G-11-099

SEARCH & DESTORY 15 PCS SET

G-11-100

1. MET(5/10/15pcs)
2. USB Power Cable for MET(5M)(2/3/5pcs)
3. USB Adapter for MET(US/EU)(2/3/5pcs)
4. Wire set for MET(5M)(2/6/9pcs)
5. 4-digi Timekeeper(1pcs)
6. PS-1 stop cable for timekeeper(1pcs)
7. Start button for timekeeper(15M)(1pcs)
8. Start button stand (100cm shaft+base)(1pcs)

高雄鳳山 陸軍步兵訓練指揮部
步兵戰鬥體能訓練





November 2023

4th WORLD CUP CQB SHOOTING COMPETITION

WORLD CUP EXTREME SHOOTING COMPETITION is organized by G&G Armament and held in Taiwan. As the largest international shooting competition, G&G has been promoting the competition around the world since 2012.

70 competitors from 25 different countries qualified for the third World Cup competition in 2019, including USA, Canada, Chile, Brazil, Mexico, Bolivia, Colombia, UK, France, Germany, Spain, Poland, Romania, Switzerland, Netherlands, Finland, Italy, Denmark, Sweden, Czech Republic, Israel, New Zealand, Hong Kong, Japan and Taiwan.

The 4th World Cup Final will be held in November 2023 in Taiwan. We are expecting more than 80 competitors from 30 different countries attending this year's momentous match.



2019 CHAMPION - JAPAN
 KONDO YUMA [近藤 悠馬]
 WATANABE TAKUMI [渡辺 匠]



2019 WOMEN'S DIVISION - CHILE
 Maca Atenas
 Paula González



2017 CHAMPION - CHILE
 Fernando Rogers Gomez Valdes
 Jesus Ariel Gomez Valdes



2015 CHAMPION - TAIWAN
 GUO JIN KAI [郭晉愷]
 WANG SHEN YUAN [王伸元]

World Cup CQB Record



2015 CQB Record 1'18"99 郭晉愷 王信彭 Team Taiwan
 2017 CQB Record 1'39"32 Fernando Rogers Gomez Valdes Team Chile
 2019 CQB Record 1'19"76 Luuk Stappaerts Mark Van Ooijen Team Netherlands



G&G CEO, James Liao took picture with R.O.C President, TSAI ING-WEN.



Former R.O.C President, MA YING-JIU tried out Military / Law Enforcement Training System

G&G CEO, James Liao promotes airsoft gun for years. During 2019 World Cup of CQB shooting competition, he brought all players to visit Presidential Office and had a picture with vice-president, CHEN JIAN-REN.



SHOW YOURSELF 2022

Photo Contest

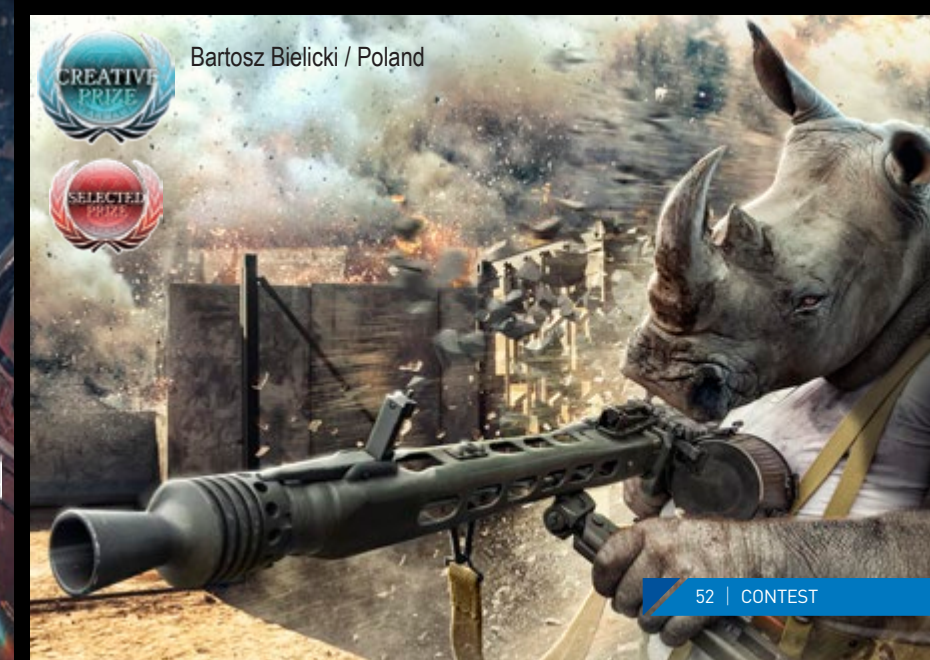
Racoon Squad / AUSTRIA



White Horse Cavalry II / Russia



Andreas Weissgerber / Austria



Bartosz Bielicki / Poland





M4 VARIANT PRIZE
Jaroslaw Trzpil / Poland



Denis Silveira Maia / Brazil

SHOW YOURSELF 2022

Photo Contest



Sergio Santamaria / Spain



Culto di Mitra / Italy



Stark Balázs / Hungary



Michał Kociarz / Poland

SPRAY & PREY

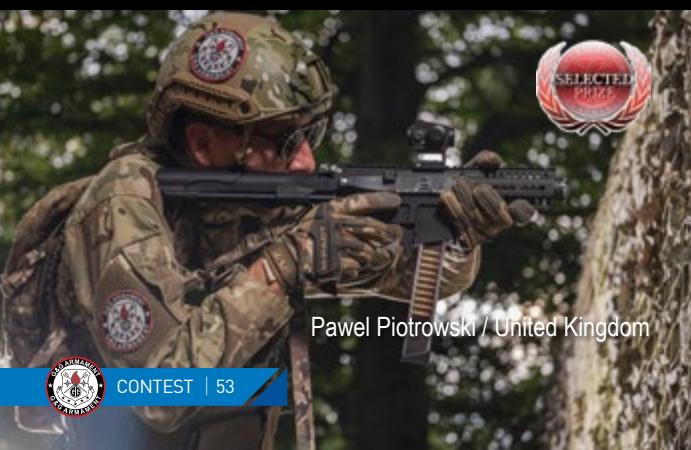


Grzegorz Pędziński / Poland

... FRAGS UNLIMITED



Enem Down Team / United Kingdom



Pawel Piotrowski / United Kingdom



MISFITS AIRSOFT POPAYAN / Colombia



Paul Sutcliffe / United Kingdom



10a LEGION HALCONES / Italy



TITLE | ANSWER APPLICANT | ADAM ALJOVIĆ COUNTRY | POLAND



Sasugo
SSG-1 custom
We are G&G ARMAMENT Armor's | Sasugo(Yusuke Toyoda) | JAPAN



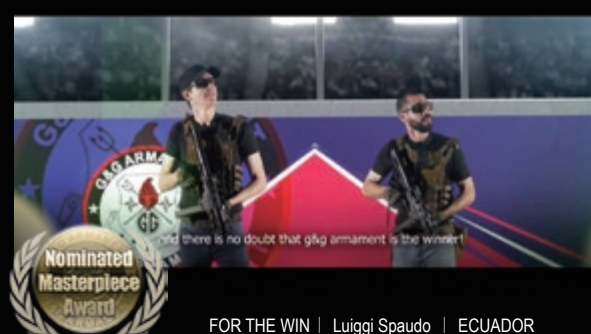
MISSION DOUBLE G | Adolfo Arturo Garcia Avila | ITALY



EXTREME SOLUTIONS | Szymon Kamiński | POLAND



TITLE | THE GAME APPLICANT | BARTOSZ BIELICKI COUNTRY | POLAND



FOR THE WIN | Luiggi Spaulo | ECUADOR



MAKE NO MISTAKES | Adam Aljović | POLAND



IMMORTAL ELEGANCE | Maksymilian Bednarz | POLAND



TITLE | UNSTOPPABLE APPLICANT | BALÁZS STARK COUNTRY | HUNGARY



RELIABILITY | Michał Kociarz | POLAND

YOUR GREATEST GLORY 2022
Video Contest

MF106T

Muzzle Flash Tracer Unit

G-01-063

NEW PRODUCT



- Compact Size: Diameter 27mm (1.06"), Length 57.6mm(2.27")
- Lightweight: 38g
- High Battery Capacity: 360 mAh (Rechargeable LiPo)
- 3 Different Modes: Tracer + Muzzle Flash, Tracer Only, Muzzle Flash Only
- 14mm CCW Negative Threads
- Power-Saving Mode
- Auto Wake-Up Feature



Green Tracer BBs Only!



NEW PATENDED MAGAZINE

[WORLD PATENT] MID CAPACITY 130R SPRING MAGAZINE
MXC9 130R Magazine G-08-203

- SILENT WHEN LOADED. (NO WINDING)
- SUPPORTS HEAVY-WEIGHT BBS. (UP TO 0.4g)
- SUPPORTS HIGH-CYCLE ROF. (UP TO 32RPS)
- HIGH STRENGTH, NYLON FIBER-REINFORCED, INJECTION-MOLDED POLYMER.
- VIEWING WINDOW TRACKS BB CAPACITY.
- COMPATIBLE WITH G&G PCC45 LOWER RECEIVER.



MXC9 130R Magazine
G-08-203

ARP9 170R
Transparent Magazine
G-08-205-1

ARP9 170R Magazine
G-08-205

ARP9 68R Smoke
Transparent Magazine
G-08-213

TGM(MP5) 130R
Magazine
G-08-204

ARP9 Magazine Coupler
G-08-220

