

RK SERIES MANUAL



WWW.GUAY2.COM
G&G ARMAMENT
AIRSOFT GUNS & ACCESSORIES

G2-201307-17-英

TAIWAN

ChangHua (Head Quarter) Tel : +886-4-798-9000 Fax : +886-4-798-9900
No.999, Zhonghua Rd. Shengang Township,
Changhua County 50952, Taiwan (R.O.C.)

Taipei Tel : +886-2-2692-2000 Fax : +886-2-2692-4000
11F-3., No.27, Lane 169, Kangning St. Shijr City,
Taipei County 22180, Taiwan (R.O.C.)

Sales Dept. sales@guay2.com, b2b@guay2.com
Technology Dept. support@guay2.com
PR Dept. pr@guay2.com

U.S.A.

Los Angeles Tel : +1-626-581-0101
Fax : +1-626-581-1011
1122 Coiner Court City of Industry,
CA91748 (U.S.A.)
sales101@guay2.com



RK SERIES MANUAL



TOP FIVE



FUTURE INNOVATION
FINEST QUALITY
FAST SERVICE
FREE ITEMS
FAIR PRICE

- ⚠ All products employ a high precision 6.04mm barrel. Using 5.95mm BB pellets is highly recommended. Damage to the product due to faulty BB pellets voids the warranty. Use with caution.
- ⚠ The buyer and the user of this product shall adhere to all local laws regulating the usage and the ownership of airsoft guns.

- ⚠ This product is intended for users 18 years or older.
- ⚠ Read all instructions before using this product.
- ⚠ Adult supervision required.
- ⚠ Always wear safety goggles when using this product.
- ⚠ Misuse or careless handling of this product may cause injury.
- ⚠ May be hazardous up to 50 meters.

- Orange tip disclaimer :**
- ⚠ All G&G Airsoft guns come with a permanent fixed orange tip required by law, which will grant Airsoft legal usage in the United States.
 - ⚠ If you alter, modify, abuse, or remove the orange tip, all warranty coverage will be void.

Warning
 For more product information please visit our website www.guay2.com



You may be liable for damaging public, personal property, or for injuring a person or an animal. Always observe good manners and enjoy fun sport shooting.



When you carry the air gun, attach the safety cap, set the selector lever to the safety position, and always put the air gun in a case or bag.



Never direct the muzzle towards a person, animal, or in any direction that may cause harm or damage to a third party.



Make sure to put the barrel and safety cap onto the muzzle except when shooting, to prevent any accidents, discharge of BB's, and also for dust protection purposes. Never pull the trigger while the barrel and safety cap are attached.



Safety procedures:
 1. Attach the safety cap to the muzzle.
 2. Set the selector lever to the safety position.
 3. Remove the magazine.



Select a safe place for operating the air gun and avoid places where people and cars are around.



Looking into the muzzle is extremely dangerous, regardless of having BB's loaded or not. If you get hit in the eye by a BB pellet, worst case scenario, you may lose your eye sight.



Activating the trigger carelessly is extremely dangerous. Never put your finger on the trigger unless the safety cap is removed and you are ready to shoot a target.



When shooting the air guns for target practice or in a game situation, you and all participants must wear safety goggles or other eye protective gear. Please pay attention to ricochets and third parties around you.



Always attach the safety cap to the muzzle, remove the battery and store the air gun in a case or bag and at a place that is out of reach of children.



There may be cases where some BB's remain in the gun after the magazine has been removed. After removal of the magazine, direct the muzzle towards a safe direction and pull the trigger to confirm that there are no BB's remaining in the gun, then attach the safety cap.



Disassembling or modifying the gun may adversely affect the performance and make it dangerous. It would also void all warranty.





RK SERIES LINE

G&G www.Guay2.com
ARMAMENT



RK *Manual*
SERIES

RK SERIES LINE



★ GIMS



★ GKMS



★ GKMS
CARBINE



★ GK74
CARBINE



★ GKS74U



★ RK47 WOOD



★ GK74



★ GK74N



★ GKM



★ GK99



★ RK103 EVO CRANE



★ RK103 EVO



★ RK103



★ RK BETA



★ RK104 EVO CRANE



★ RK104 EVO



★ RK104



RK47 WOOD

For more product information
please visit our website
www.guay2.com



**RK103 / RK104 / RK103 EVO / RK104 EVO
RK103 EVO CRANE / RK104 EVO CRANE**



GKM / GIMS

For more product information
please visit our website
www.guay2.com



GK74 / GK74N

For more product information
please visit our website
www.guay2.com



GKMS CARBINE / GKMS

For more product information
please visit our website
www.guay2.com



GK74 CARBINE

For more product information
please visit our website
www.guay2.com



RK BETA / GKS74U

For more product information
please visit our website
www.guay2.com



GK99

For more product information
please visit our website
www.guay2.com

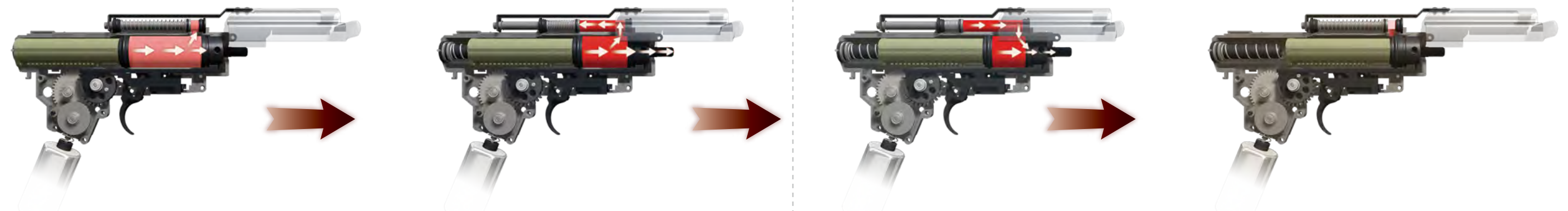


In order to simulate the bolt action of a real firearm, G&G is proud to present its new Pneumatic Blow Back system to its line of airsoft guns.

Conventional airsoft blow back utilizes tow hook springs that connect to the piston head and bolt plate to simulate bolt action, which often lead to excess wear and tear and poor reliability in the gear box. To alleviate the problem of conventional systems, G&G has independently developed the Pneumatic Blow Back system for a better solution on simulating bolt actions.

This new technology utilizes compressed air to move the bolt, which enables the action without adding extra stress to the gear box.

This class leading system represents a significant milestone in the airsoft industry.



TAIWAN
Patent No. M300797



USA
Patent No. 11/488698



HONG KONG
Patent No. 06107627.0



JAPAN
Patent No. 實願2006-1459



EUROPEAN UNION
Patent No. 460191 814454



CHINA
Patent No. 200620122468.9



DENMARK
Patent No. BA2007 0069



U.K.
Patent No. 614422.4





Always set the safety lever to safety mode setting until the user is about to fire the gun.

CAUTION

- ▶ Never operate the selector switch while pulling the trigger. Otherwise, malfunctions may occur.
- ▶ Pulling the trigger with the Selector being set at safe mode may damage the air gun.

SAFETY ON

THE TRIGGER CANNOT BE PULLED



When the gun is in storage or not being fired, always set the selector to the Safe position and attach the protective cap on the muzzle.

FULL AUTO

AUTOMATIC FIRING



The gun will fire continuously while the trigger remains pulled.

SEMI AUTO

SINGLE SHOT



The gun will fire one shot each time when pulling the trigger.

CAUTION

Direct the muzzle towards a safe direction and set the selector to the safety position. The magazine should be removed before changing the battery.

For GKM / GIMS / GK74 / GK74N



1. Push the button and pull forward to unlock the handguard battery.



2. Remove the handguard battery.

For RK103 EVO CRANE / RK104 EVO CRANE



1. Pull and hold the stock release lever mount.
2. Pull out the stock.



1. Turn and take off the battery cover.
2. Insert the battery into the stock.



1. Connect the battery plug into the connector until you hear a 'click'.
2. Reinstall the stock.



LED Indication

[Power] Blue Light (ON)

[Error Status] Red Light (Flashing) / [Normal] Red Light (OFF)

[Fully Charged] Green Light (ON) / [Normal] Green Light (OFF)

When the green light flashing more frequently shows the charging speed is faster. When the battery is nearly full, the green light will be on consistently.

CAUTION

Make sure the longitudinal slits always present on pin connector. If the pin connector has been deformed, it may disable the firing function!



You can use the razor blade to expand the slit and spread the two halves of the pin to compensate for wear.

CAUTION Direct the muzzle towards a safe direction and set the selector to the safety position. The magazine should be removed before changing the battery.

For RK47 / RK103 / RK104 / RK103 EVO / RK104 EVO



1
Unscrew the fixing screws and remove the plate.



2
Connect the battery until you hear a 'click'.



3
Insert the battery and reinstall the plate.

For RK Beta



1
Push the stock plate and remove.



2
Connect the battery plug with the connector until you hear a 'click'.



3
Reinstall the stock plate.

CAUTION Direct the muzzle towards a safe direction and set the selector to the safety position. The magazine should be removed before changing the battery.

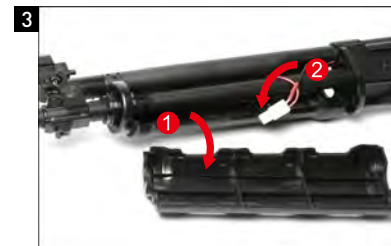
For GK99



1
Unscrew the handguard cap.



2
Pull the handguard forward.



3
Remove the handguard and pull out the connector.

For GK99



4
Connect the battery plug with the connector until you hear a 'click', then insert the battery into the handguard.



5
Put the handguard back on.



6
Tighten up the handguard cap.

CAUTION Direct the muzzle towards a safe direction and set the selector to the safety position. The magazine should be removed before changing the battery.

For GKS74U / GK74 Carbine / GKMS Carbine



1 Push the rear-end of spring guide to remove the top cover.



2 Insert battery and connect the connector until you heard the click sound.



3 Reinstall the top cover.

For GKMS / GKMS Carbine



1 Push the stock lock button to unlock.



2 Turn the folding stock to be locked.



3 Turn the stock bottom to be locked.

For GIMS



1 Push the stock lock button to unlock.



2 Turn the folding stock to be locked.

For GK74 / GKS74U



1 Push the stock lock button to unlock.



2 Turn the folding stock to be locked.

For GK99



1 Press and pull the stock to unlock.



2 Turn the folding stock to be locked.

CAUTION Confirm that the safety lever is set to the Safety position and do not place your finger on the trigger.

For All RK Series

CAUTION

Always use the G&G BB pellet or diameter 5.94 ~ 5.96 mm BBs for this air gun. G&G shall not be held responsible for any damage or accidents arising from the use of pellets supplied by other manufacturers.



1 Push the magazine catch to release the magazine.



2 Open the cover of magazine and load G&G 5.95mm BB pellets into the magazine.

For All RK Series



3 After the BB pellets have been loaded, close the cover and turn the gear on the bottom until the sound changes.



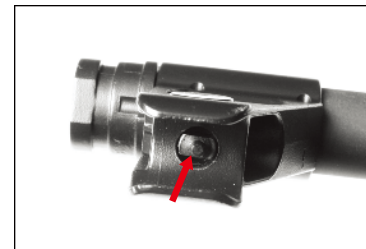
4 Set the magazine upward.



5 Connect firmly till you hear a 'click'.

Front Sight Adjustment

For All RK Series



1 Insert the front sight adjustment tool into the front sight block.



2 Turn for adjustment.
 Clockwise: Lower the front sight.
 Counterclockwise: Raise the front sight.

Front Sight Adjustment

For GK99



1 Use the screwdriver to adjust the front sight windage.



2 Flip-Up night front sight.

CAUTION Ensure not to lose the adjustment tool.

Rear Sight Adjustment

For All RK Series (Apart from RK Beta / GK99)



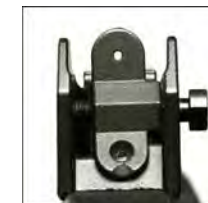
1 Press the button and slide forward or backward for adjustment.

Rear Sight Adjustment

For GK99



Common shooting.



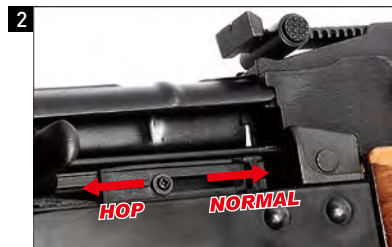
Precision shooting.

CAUTION Do not to catch your fingers in the dummy bolt.

For All RK Series



1 Pull the handle in the direction shown to open the bolt.



2 Slide the hop-up adjustment piece forward or backward to adjust the Hop-up effect.

CAUTION Never hold the gun sideways as the BB pellets will curve right or left.



Too much HOP-UP.
(Return the lever toward NORMAL)

Best direction.

Not enough HOP-UP. (Move the lever toward HOP)
Or too much HOP-UP. (Return the lever toward NORMAL)

*** NOTE** Adjust only when the gear noise becomes shrill.

For All RK Series



1 Unscrew the fixing screw on the bottom of the grip and remove the grip.



2 Adjust with hexagon key.

For GKS74U / GK74 Carbine / GKMS Carbine



1 Push the rear-end of spring guide.
2 Open the top cover.

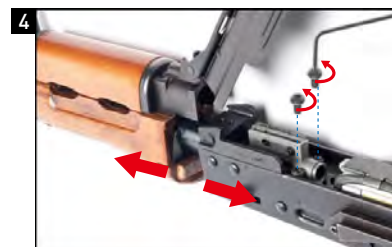


2 Push the rear-end of the spring guide to remove the bolt set.



3 Use 2mm hexagon key to unscrew the barrel bracket set screws.

For GKM / GKMS / GIMS / GK74 / GK74N



4 Unscrew the screws of the Hop-up unit. The front kit can now be disassembled.



1 Push the button and pull forward to remove the handguard battery.



2 Unscrew the screw and the front kit can now be disassembled.

1. After Operation

Remove the magazine, direct the muzzle into a safe direction, then fire the gun in semi-auto mode for a few shots. Set the selector to the safe position.

Always disconnect the battery and attach the protective cap whenever you do not operate the air gun.

2. Cautions on Motor and Battery

Charge the battery if the firing cycle becomes slow.

Stop the usage of the air gun for 5 to 10 minutes after firing around 500 rounds in order to ensure the long life of the motor and battery.

3. Clogged Pellets

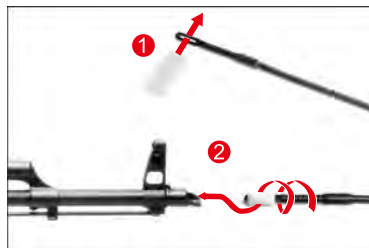
If pellets are clogged, remove and apply a few drops of G&G's silicone oil into the chamber from the magazine entrance. Apply the silicone for 0.4 to 1 sec to obtain smooth continuous firing.

CAUTION Make sure no dirt gets into the chamber to avoid clogging of pellets. The hopping up operation may be unstable for the first 200 to 300 rounds after using silicone oil, this is the normal operation for the gun.



CAUTION Never use CRC-556, WD40 or other corrosive lubricant.

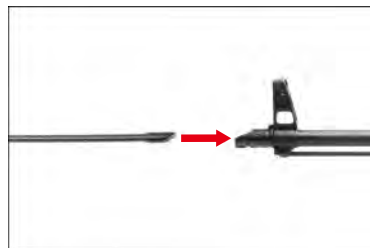
WHEN PELLET SPEED BECOMES LOW



1. Place a few drops of silicone oil or teflon oil into the pellet entrance. After inserting BB pellets into the magazine, fire the gun around 200-300 rounds.

2. To complete the cleaning, use the cleaning rod (with cotton) to remove excess oil.

REMOVING CLOGGED PELLETS



1. Return the hop-up dial to the Normal position and insert the cleaning rod from the lead edge of the barrel.

2. To remove clogged BB's, carefully insert the cleaning rod inside with the flat tip facing down as shown below.

CAUTION Do not jam the cleaning rod into the barrel by force. Should the BB's remain inside the barrel after following the instruction above, point the gun to a safe direction and discharge any loosened BB's in semi-automatic mode.

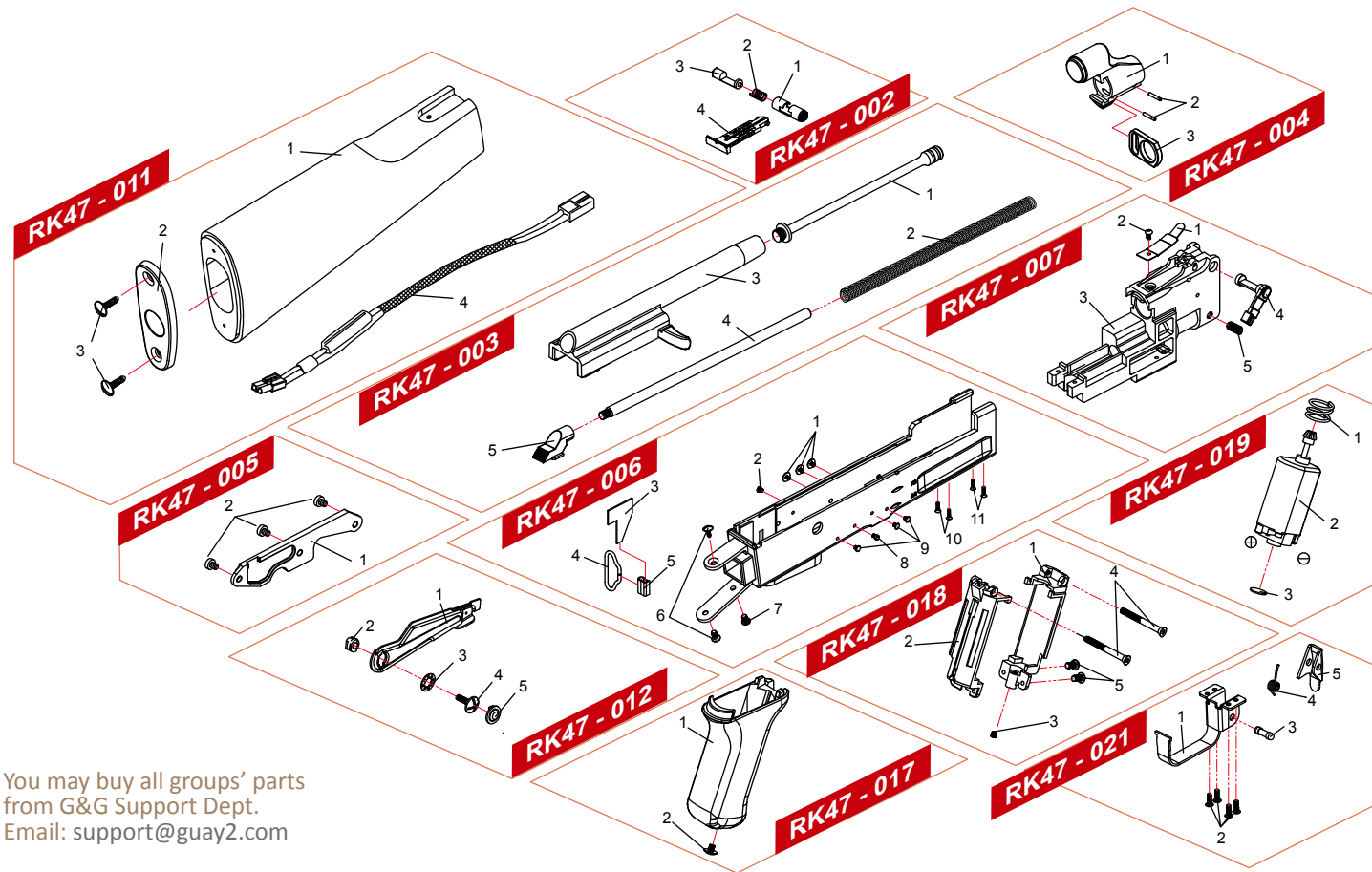
Troubleshooting

SYMPTOM	POTENTIAL	CORRECTIVE
No operation at all	Selector lever is set to safety.	Set the selector lever to Semi or Full Auto.
	Battery is not charged.	Charge the battery.
	Battery connector is disconnected.	Connect the connector.
	The \oplus and \ominus of battery connector is reversed.	Switch the batteries to the correct position.
Although motor is revolving, no pellet can be fired	Expired motor life (50,000 to 60,000 rounds) or poor electrical connection.	Replace the dead motor (can be purchased from local dealer or directly from G&G). Check and repair the contacts.
	Pellets are clogged inside the magazine.	Insert the charging rod into the magazine and move up and down a few times to remove clogged pellets.
	Pellets are clogged in the chamber.	Remove clogged pellets using the cleaning rod.
	Faulty gear.	Purchase the replacement gear from your dealer or G&G and repair.
Impossible full-auto operation (automatic firing)	Insufficient battery power.	Charge the battery.
	Faulty pellet feed of magazine.	Repair clogging of the magazine.
	Poor electrical connection.	Consult your dealer or G&G for overhaul maintenance or repair.
Shooting distance becomes shorter	Damaged or worn chamber set.	Replace the replacement parts (purchase from your dealer or G&G)
	Damaged or worn piston set (O-ring, piston spring)	
	Something is jammed in the inner barrel	Use the cleaning rod and clean the inner barrel.
	Faulty BB pellets (too small or heavy)	Use the genuine G&G Pellets.
	Shortage of silicone oil	Place a few drops of silicone oil onto the upper chamber.
Loud operating noise	Gear problem caused by too many blank firing	Consult your dealer or G&G for overhaul maintenance, part replacement (gear, etc.) or repair.
	Worn or damaged gear	
Pellets being fallen out from barrel end	No hop setting.	Turn the hop adjustment lever toward Hop.
	Gear problem caused by too many blank firing	Use the G&G Pellets.
If gun gets wet	Damaged or worn chamber set.	Stop operation immediately, wipe off water from inside the main body and the battery. After the gun is completely dry, carry out trial firing. If the unit is not operational, please contact your local dealer for repair.
	Faulty BB Pellets (too small or heavy)	

Disclaimer

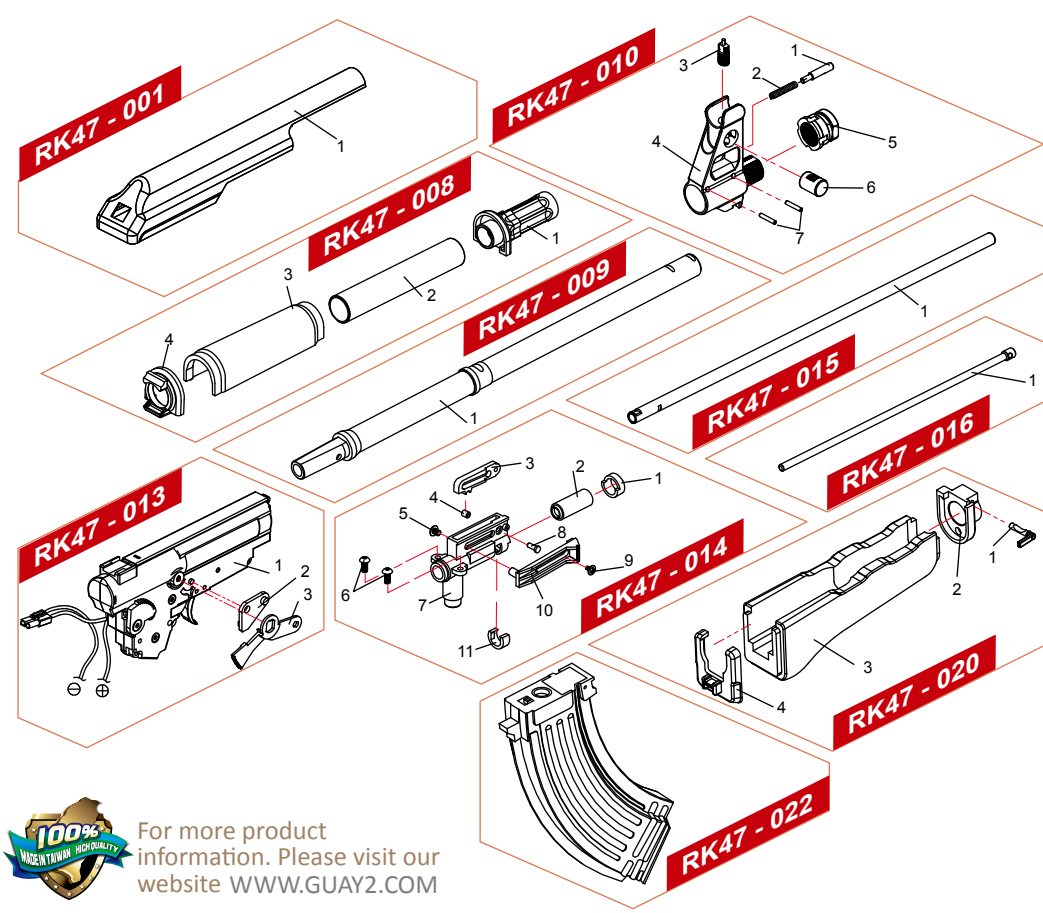
- Accessories pictured are not always included with product.
- Adult supervision required for users under 18 years of age.
- The purchaser and user should conform to all laws governing the ownership of airsoft guns.
- All products in this manual are imitation firearms and are not intended nor represented to be comparable in design, appearance, or function to any actual firearm offered by other manufacturers.
- Product names are trademarks of G&G, which has no affiliation to, and is not associated, or sponsored by any manufacturer of actual or imitation firearms. Products may vary from those pictured.

for RK47



You may buy all groups' parts
from G&G Support Dept.
Email: support@guay2.com

for RK47



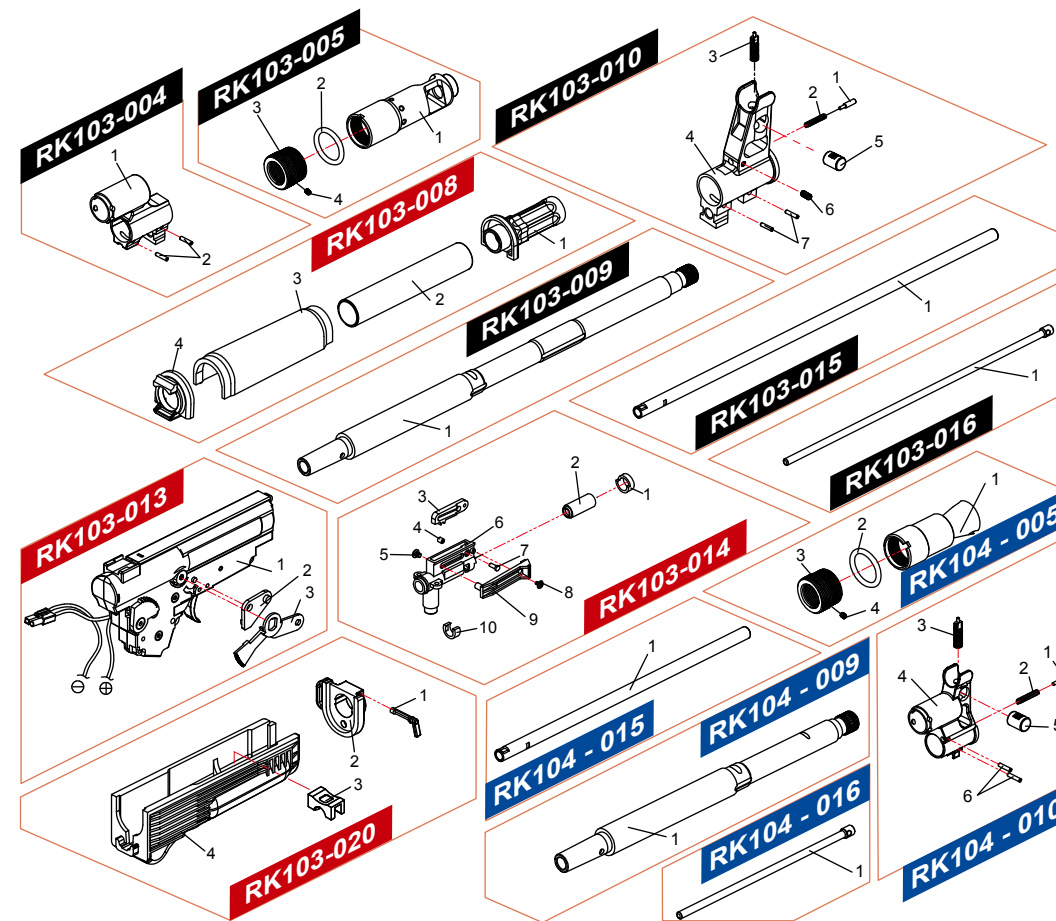
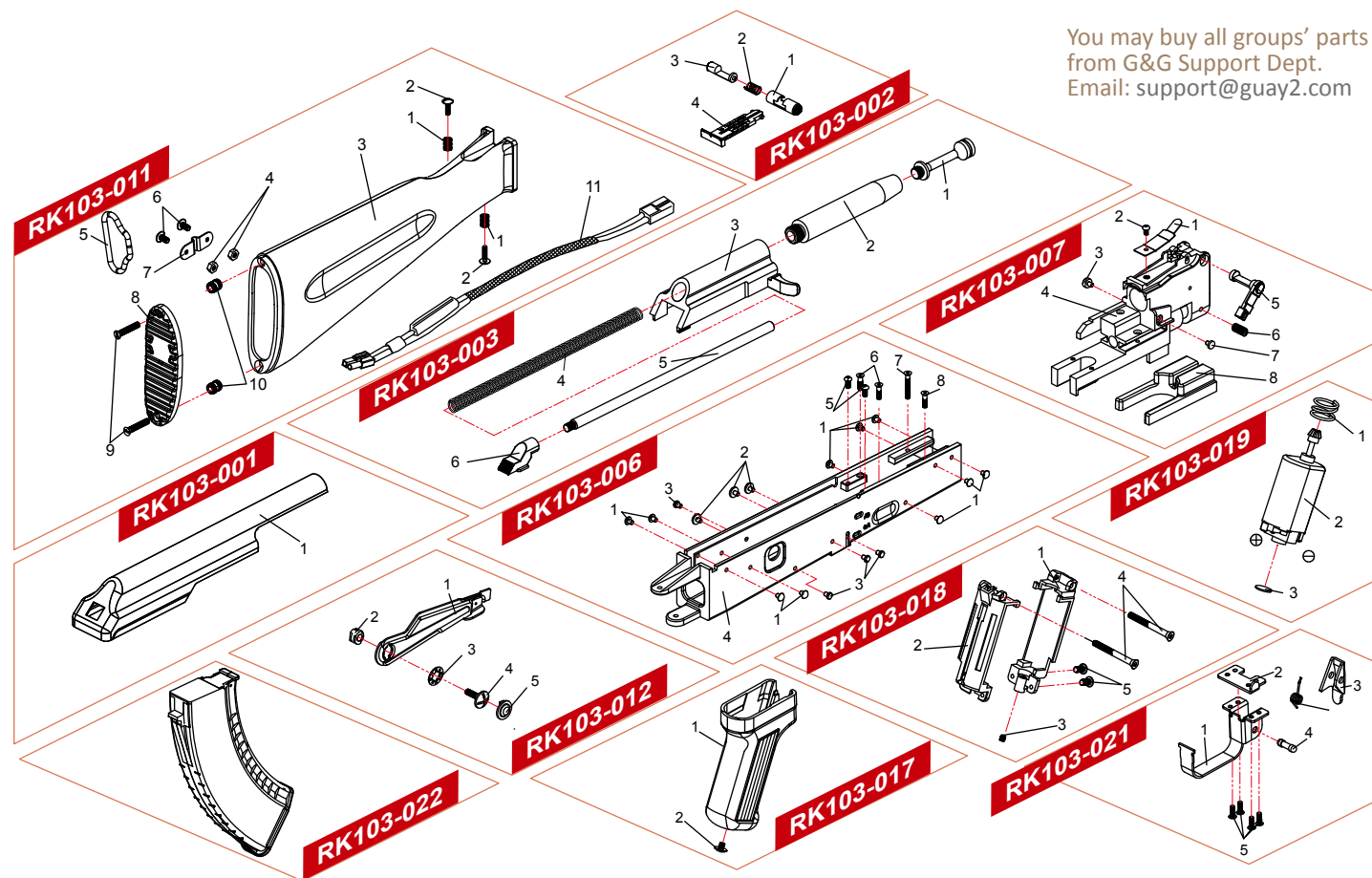
- RK47-001 Receiver Cover Set
- RK47-002 Rear Sight Set
- RK47-003 Bolt Set
- RK47-004 Gas Block Set
- RK47-005 Rail Mount Set
- RK47-006 Receiver Set
- RK47-007 Barrel Base Set
- RK47-008 Gas Cylinder Set
- RK47-009 Outer Barrel Set
- RK47-010 Front Sight Set
- RK47-011 Butt Stock Set
- RK47-012 Selector Lever Set
- RK47-013 Gear Box Set
- RK47-014 Hop Up Set
- RK47-015 Inner Barrel
- RK47-016 Clean Rod
- RK47-017 Grip Set
- RK47-018 Motor Base Set
- RK47-019 Motor Set
- RK47-020 Handguard Set
- RK47-021 Trigger Guard Set
- RK47-022 Magazine

You may buy all groups' parts
from G&G Support Dept.
Email: support@guay2.com



For more product
information. Please visit our
website WWW.GUAY2.COM

for RK103 / RK104



for RK103 / RK104

- RK103-001** Receiver Cover Set
- RK103-002** Rear Sight Set
- RK103-003** Bolt Set
- RK103-006** Receiver Set
- RK103-007** Barrel Base Set
- RK103-008** Gas Cylinder Set
- RK103-011** Butt Stock Set
- RK103-012** Selector Lever Set
- RK103-013** Gear Box Set
- RK103-014** Hop Up Set
- RK103-017** Grip Set
- RK103-018** Motor Base Set
- RK103-019** Motor Set
- RK103-020** Handguard Set
- RK103-021** Trigger Guard Set
- RK103-022** Magazine

for RK103

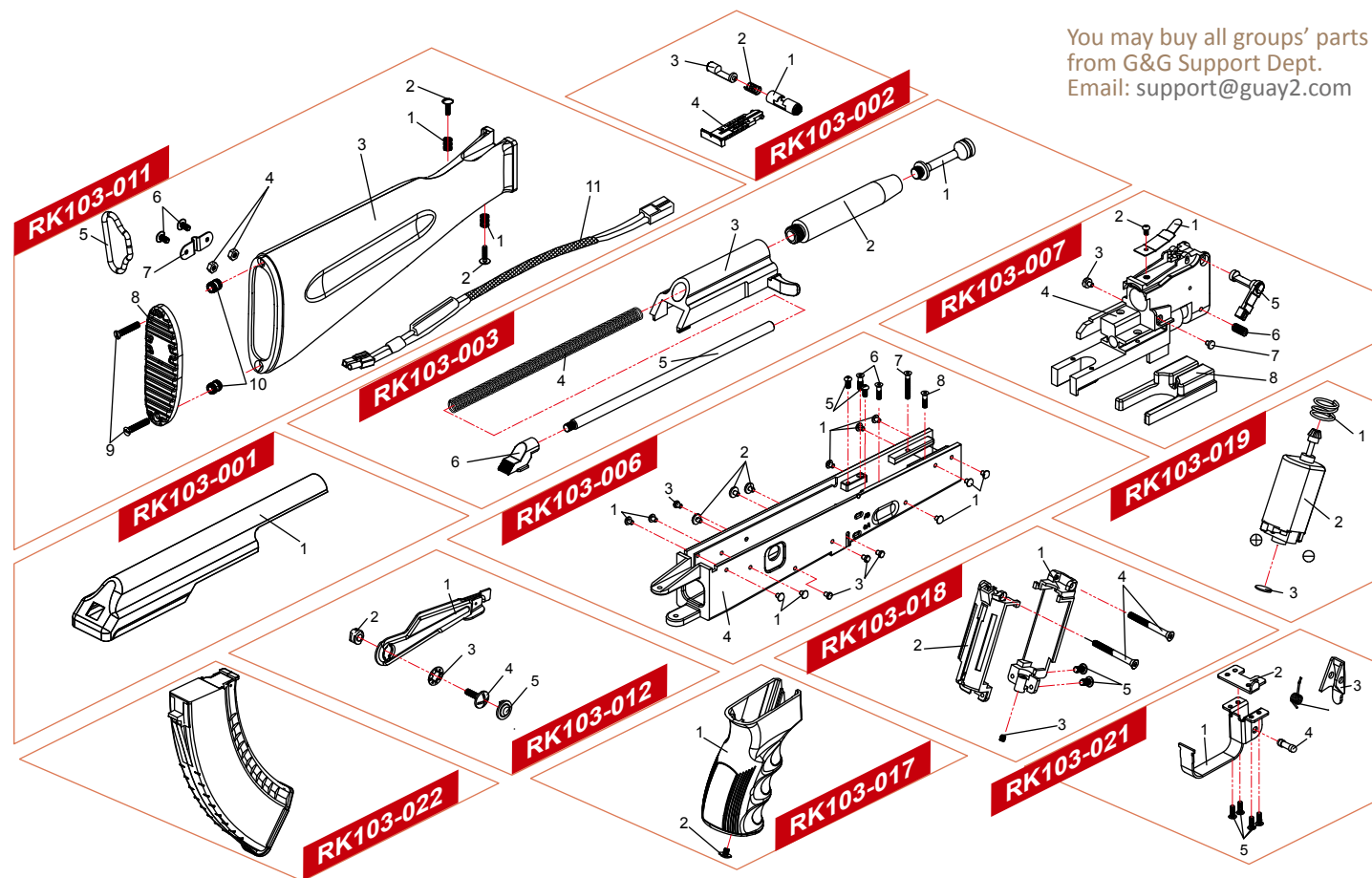
- RK103-004** Gas Block Set
- RK103-005** Flash Suppressor Set
- RK103-009** Outer Barrel Set
- RK103-010** Front Sight Set
- RK103-015** Inner Barrel
- RK103-016** Clean Rod

for RK104

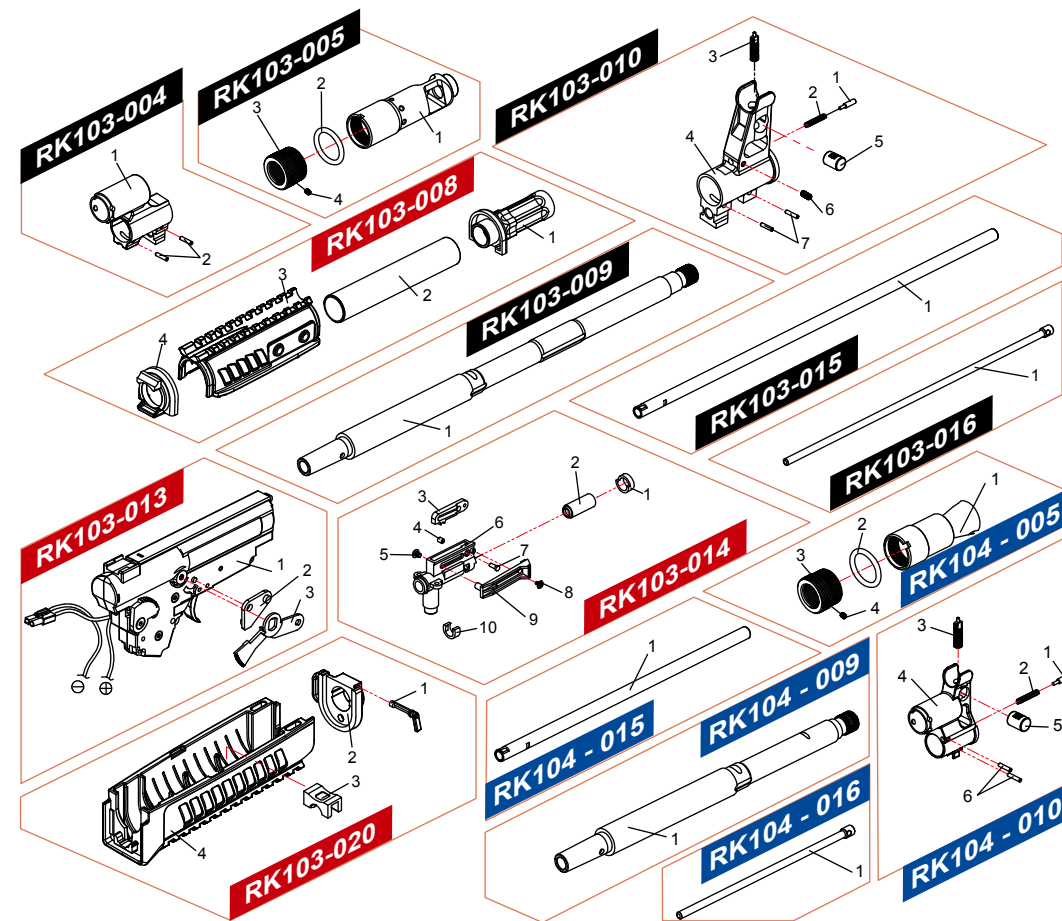
- RK104-005** Flash Suppressor Set
- RK104-009** Outer Barrel Set
- RK104-010** Front Sight Set
- RK104-015** Inner Barrel
- RK104-016** Clean Rod

You may buy all groups' parts from G&G Support Dept.
Email: support@guay2.com

for RK103 EVO / RK104 EVO



You may buy all groups' parts
from G&G Support Dept.
Email: support@guay2.com



for RK103 EVO / RK104 EVO

- RK103E-001** Receiver Cover Set
- RK103E-002** Rear Sight Set
- RK103E-003** Bolt Set
- RK103E-006** Receiver Set
- RK103E-007** Barrel Base Set
- RK103E-008** Gas Cylinder Set
- RK103E-011** Butt Stock Set
- RK103E-012** Selector Lever Set
- RK103E-013** Gear Box Set
- RK103E-014** Hop Up Set
- RK103E-017** Grip Set
- RK103E-018** Motor Base Set
- RK103E-019** Motor Set
- RK103E-020** Handguard Set
- RK103E-021** Trigger Guard Set
- RK103E-022** Magazine

for RK103 EVO

- RK103E-004** Gas Block Set
- RK103E-005** Flash Suppressor Set
- RK103E-009** Outer Barrel Set
- RK103E-010** Front Sight Set
- RK103E-015** Inner Barrel
- RK103E-016** Clean Rod

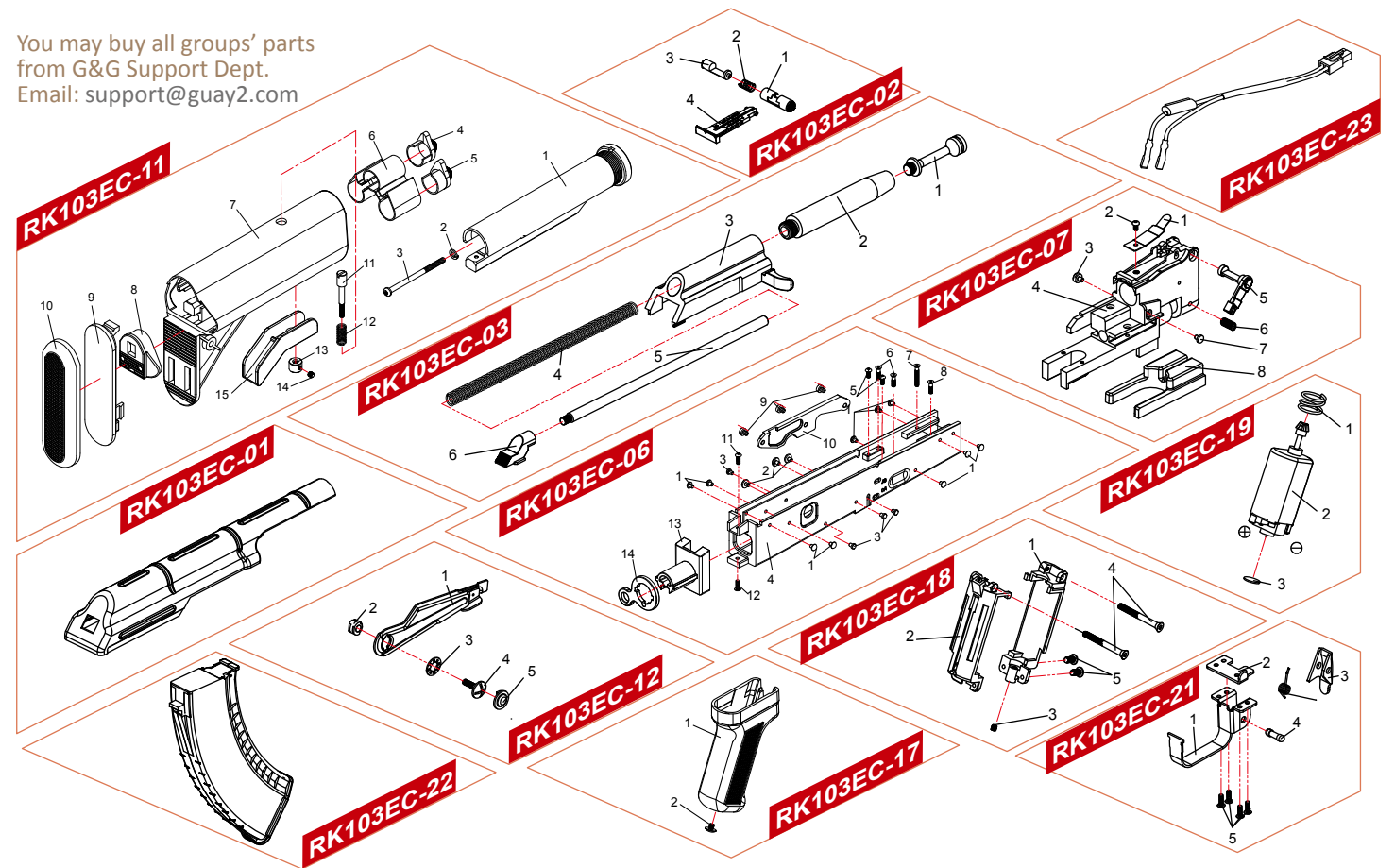
for RK104 EVO

- RK104E-005** Flash Suppressor Set
- RK104E-009** Outer Barrel Set
- RK104E-010** Front Sight Set
- RK104E-015** Inner Barrel
- RK104E-016** Clean Rod

You may buy all groups' parts
from G&G Support Dept.
Email: support@guay2.com

for RK103 EVO CRANE / RK104 EVO CRANE

You may buy all groups' parts from G&G Support Dept.
Email: support@guay2.com



for RK103 EVO CRANE / RK104 EVO CRANE

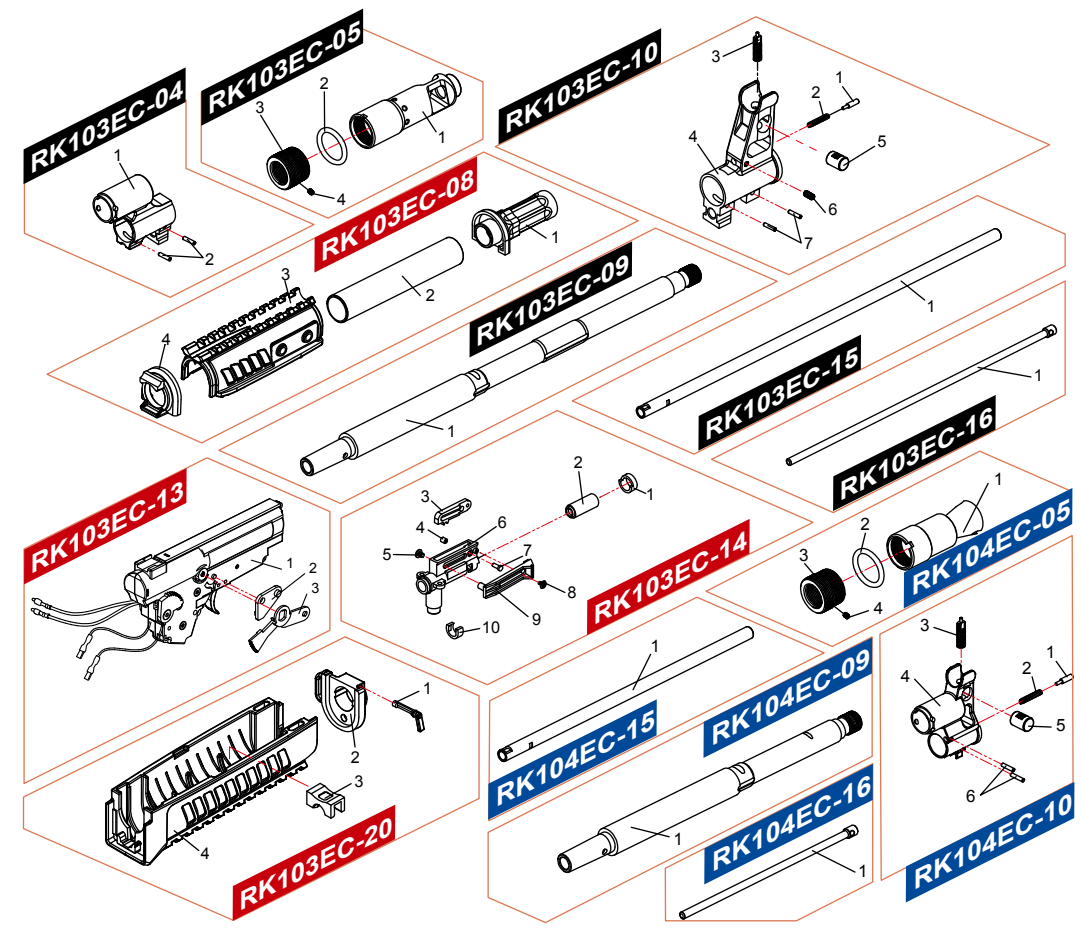
- RK103EC-01** Receiver Cover Set
- RK103EC-02** Rear Sight Set
- RK103EC-03** Bolt Set
- RK103EC-04** Receiver Set
- RK103EC-05** Barrel Base Set
- RK103EC-06** Gas Cylinder Set
- RK103EC-07** Butt Stock Set
- RK103EC-08** Selector Lever Set
- RK103EC-09** Gear Box Set
- RK103EC-10** Hop Up Set
- RK103EC-11** Grip Set
- RK103EC-12** Motor Base Set
- RK103EC-13** Motor Set
- RK103EC-14** Handguard Set
- RK103EC-15** Trigger Guard Set
- RK103EC-16** Magazine
- RK103EC-17** Cord Set

for RK103 EVO CRANE

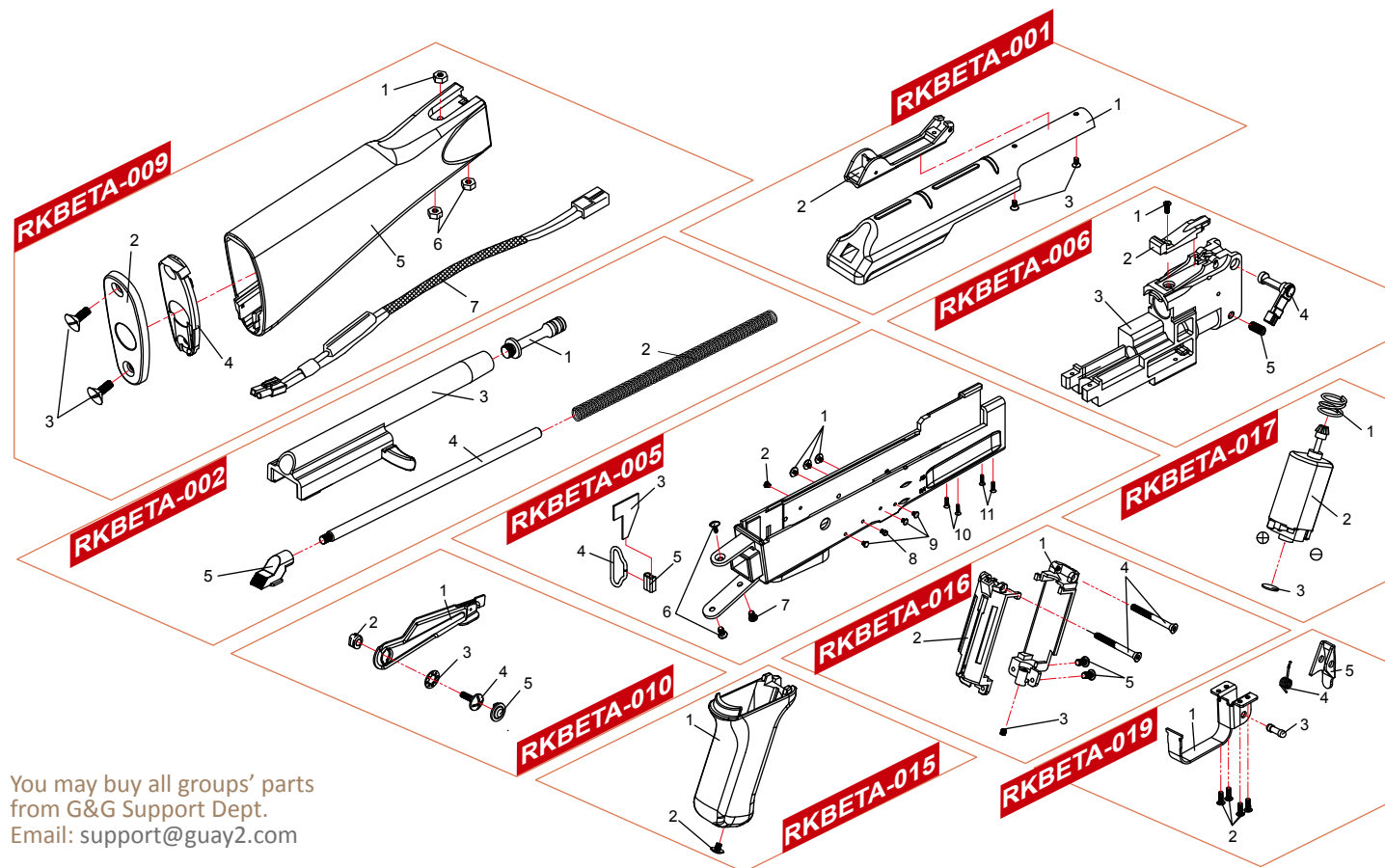
- RK103EC-04** Gas Block Set
- RK103EC-05** Flash Suppressor Set
- RK103EC-09** Outer Barrel Set
- RK103EC-10** Front Sight Set
- RK103EC-15** Inner Barrel
- RK103EC-16** Clean Rod

for RK104 EVO CRANE

- RK104EC-05** Flash Suppressor Set
- RK104EC-09** Outer Barrel Set
- RK104EC-10** Front Sight Set
- RK104EC-15** Inner Barrel
- RK104EC-16** Clean Rod

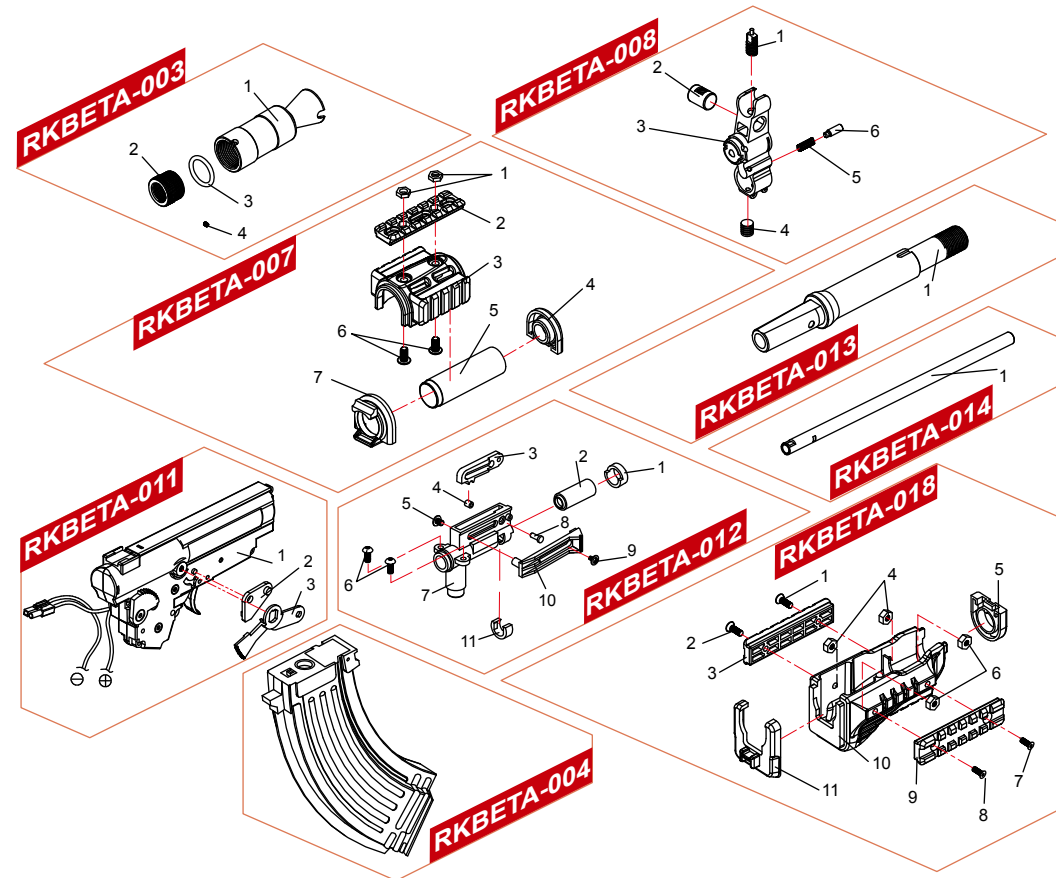


for RK BETA



You may buy all groups' parts
 from G&G Support Dept.
 Email: support@guay2.com

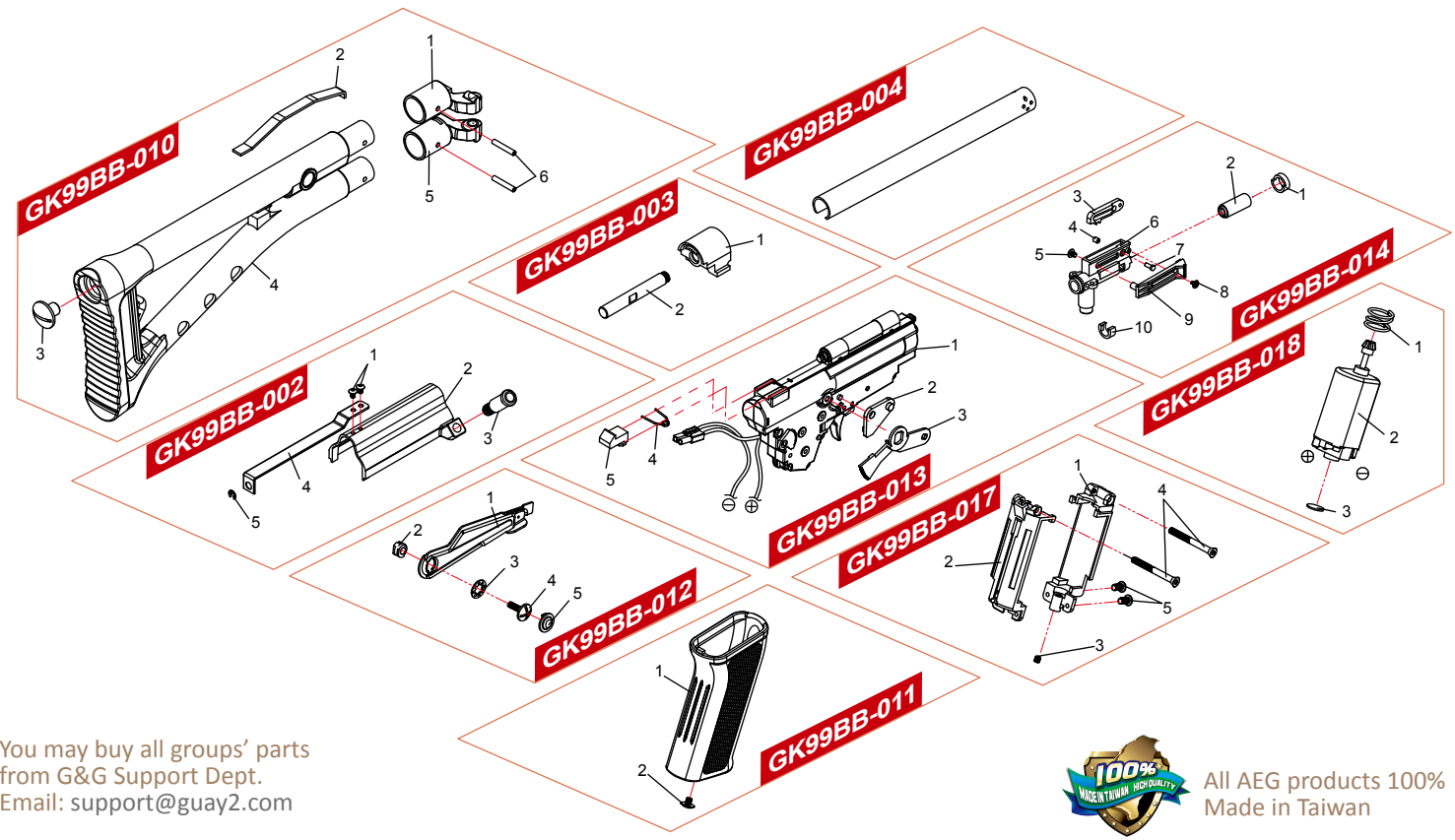
for RK BETA



- RKBETA-001 Receiver Cover Set
- RKBETA-002 Bolt Set
- RKBETA-003 Flash Suppressor
- RKBETA-004 Magazine
- RKBETA-005 Receiver Set
- RKBETA-006 Barrel Base Set
- RKBETA-007 Gas Cylinder Set
- RKBETA-008 Front Sight Set
- RKBETA-009 Butt Stock Set
- RKBETA-010 Selector Lever Set
- RKBETA-011 Gear Box Set
- RKBETA-012 Hop Up Set
- RKBETA-013 Outer Barrel
- RKBETA-014 Inner Barrel
- RKBETA-015 Grip Set
- RKBETA-016 Motor Base Set
- RKBETA-017 Motor Set
- RKBETA-018 Rail Handguard Set
- RKBETA-019 Trigger Guard Set

You may buy all groups' parts
 from G&G Support Dept.
 Email: support@guay2.com

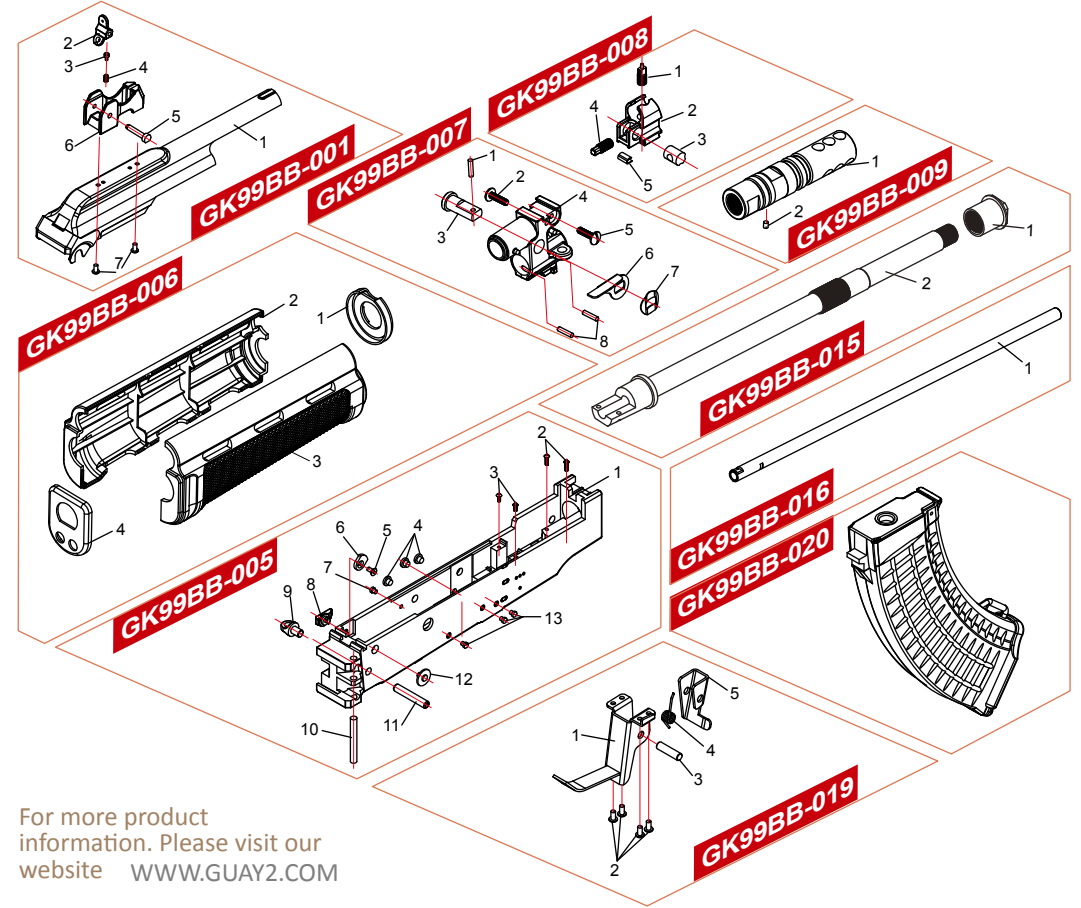
for GK99 BlowBack Ver.



You may buy all groups' parts from G&G Support Dept.
Email: support@guay2.com

100% MADE IN TAIWAN All AEG products 100% Made in Taiwan

for GK99 BlowBack Ver.



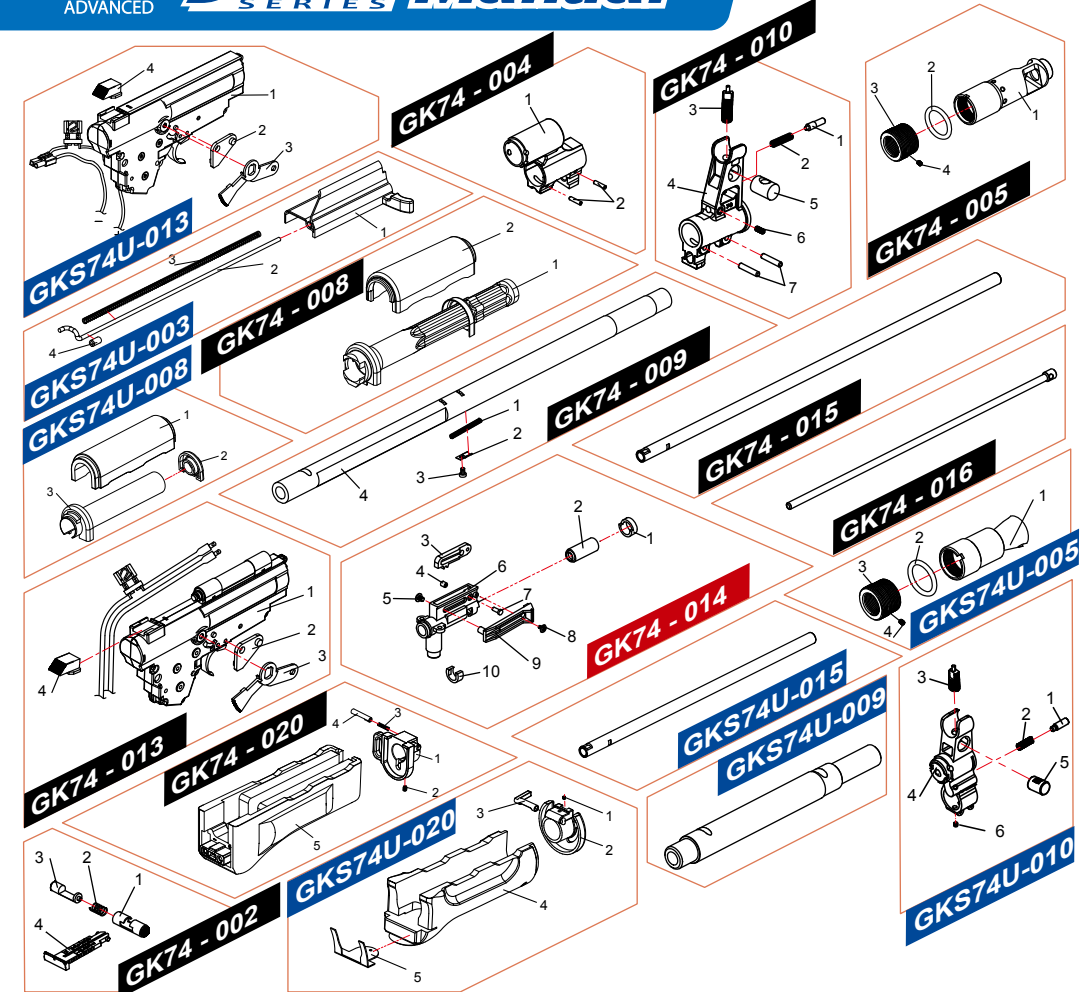
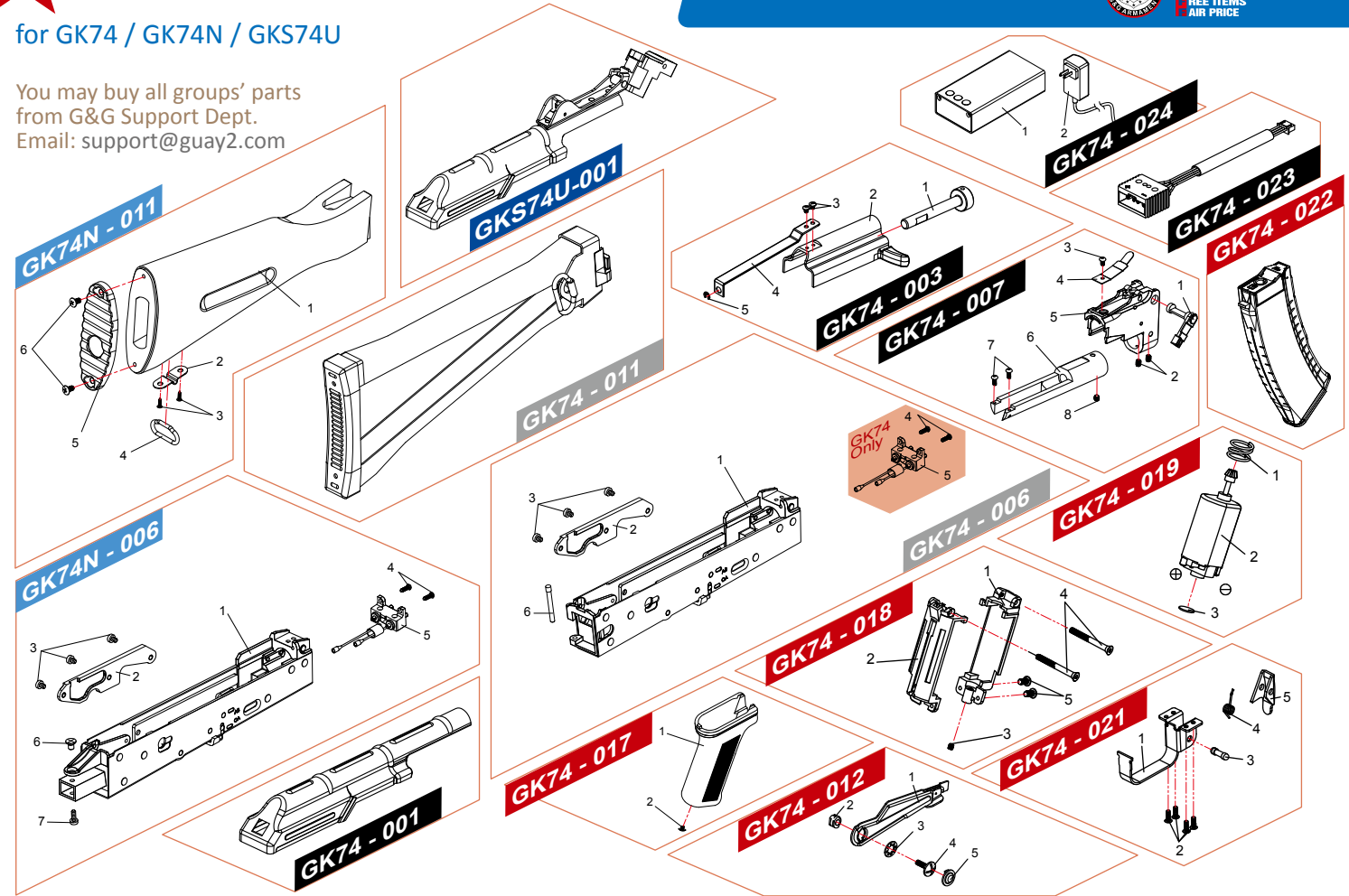
- GK99BB-001** Receiver Cover Set
- GK99BB-002** Bolt Lever Set
- GK99BB-003** Bolt Guide Set
- GK99BB-004** Gas Tube
- GK99BB-005** Receiver Set
- GK99BB-006** Handguard Set
- GK99BB-007** Gas Block Set
- GK99BB-008** Front Sight Set
- GK99BB-009** Flash Suppressor
- GK99BB-010** Folding Stock Set
- GK99BB-011** Grip
- GK99BB-012** Selector Lever Set
- GK99BB-013** Gear Box Set
- GK99BB-014** Hop Up Set
- GK99BB-015** Outer Barrel Set
- GK99BB-016** Inner Barrel
- GK99BB-017** Motor Base Set
- GK99BB-018** Motor Set
- GK99BB-019** Trigger Guard Set
- GK99BB-020** Magazine

For more product information. Please visit our website WWW.GUAY2.COM

You may buy all groups' parts from G&G Support Dept.
Email: support@guay2.com

for GK74 / GK74N / GKS74U

You may buy all groups' parts from G&G Support Dept.
 Email: support@guay2.com



for GK47 / GK74N / GKS74U

- GK74-012** Selector Lever Set
- GK74-014** Hop Up Set
- GK74-017** Grip Set
- GK74-018** Motor Base Set
- GK74-019** Motor Set
- GK74-021** Trigger Guard Set
- GK74-022** Magazine

for GK47 / GK74N

- GK74-001** Receiver Cover Set
- GK74-002** Rear Sight Set
- GK74-003** Bolt Set
- GK74-004** Gas Block Set
- GK74-005** Flash Suppressor Set
- GK74-007** Barrel Base Set
- GK74-008** Gas Cylinder Set
- GK74-009** Outer Barrel Set
- GK74-010** Front Sight Set
- GK74-013** Gear Box Set
- GK74-015** Inner Barrel
- GK74-016** Clean Rod
- GK74-020** Handguard Battery Set
- GK74-023** Cord Set
- GK74-024** Battery Charger Set

for GK74 / GKS74U

- GK74-006** Receiver Set
- GK74-011** Folding Stock Set

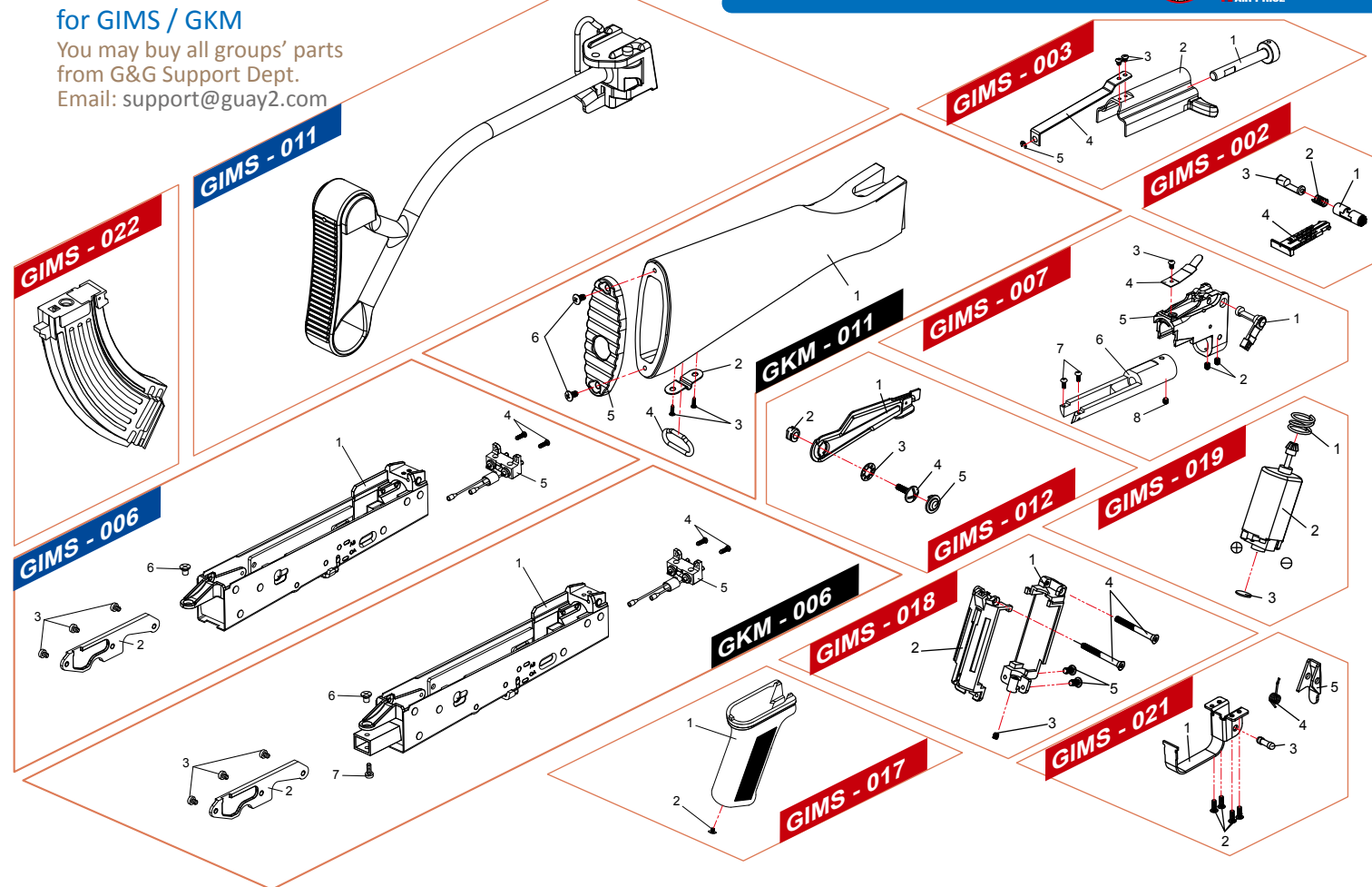
for GKS74U

- GKS74U-001** Receiver Cover Set
- GKS74U-003** Bolt Set
- GKS74U-005** Flash Suppressor Set
- GKS74U-008** Gas Cylinder Set
- GKS74U-009** Outer Barrel Set
- GKS74U-010** Front Sight Set
- GKS74U-015** Inner Barrel
- GKS74U-020** Handguard Set

for GK74N

- GK74N-006** Receiver Set
- GK74N-011** Butt Stock Set

for GIMS / GKM

You may buy all groups' parts
from G&G Support Dept.
Email: support@guay2.com

for GIMS / GKM

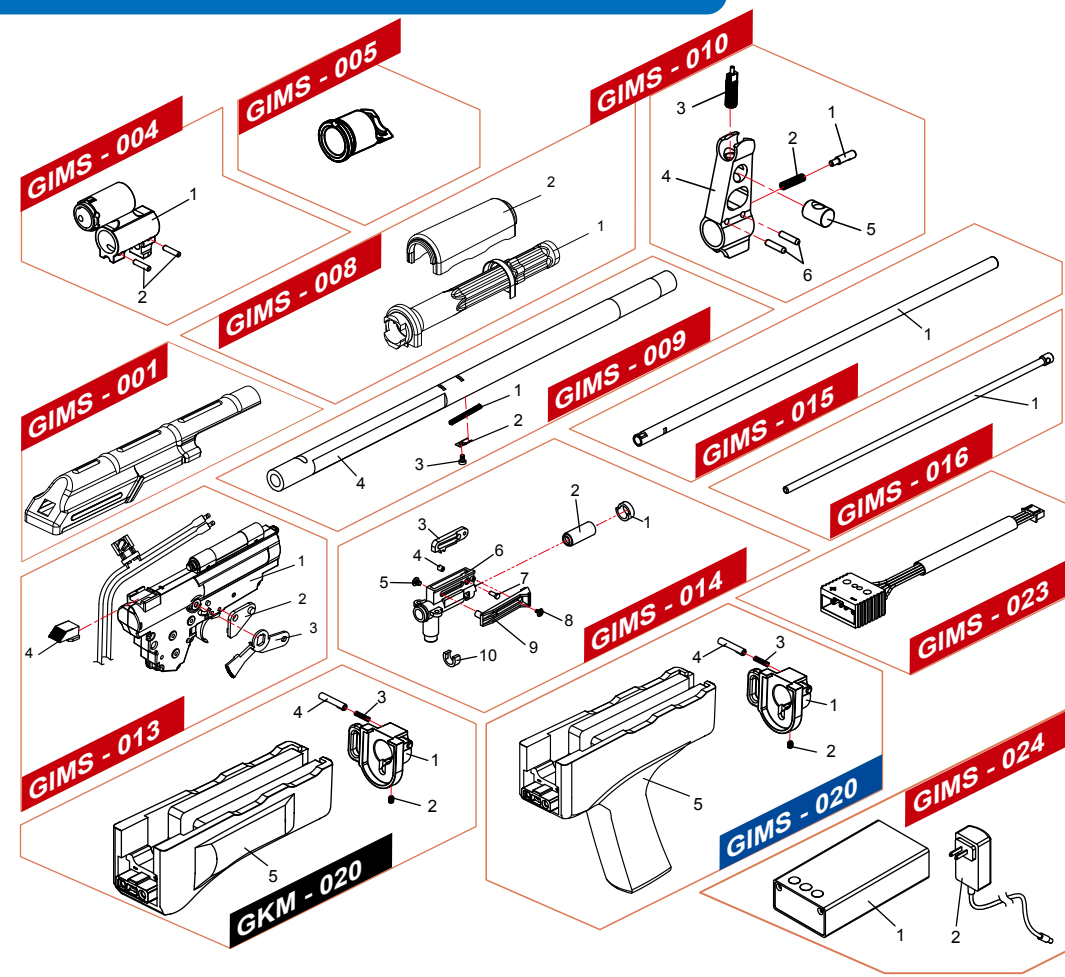
- GIMS - 001** Receiver Cover Set
- GIMS - 002** Rear Sight Set
- GIMS - 003** Bolt Set
- GIMS - 004** Gas Block Set
- GIMS - 005** Flash Suppressor Set
- GIMS - 007** Barrel Base Set
- GIMS - 008** Gas Cylinder Set
- GIMS - 009** Outer Barrel Set
- GIMS - 010** Front Sight Set
- GIMS - 012** Selector Lever Set
- GIMS - 013** Gear Box Set
- GIMS - 014** Hop Up Set
- GIMS - 015** Inner Barrel
- GIMS - 016** Clean Rod
- GIMS - 017** Grip Set
- GIMS - 018** Motor Base Set
- GIMS - 019** Motor Set
- GIMS - 021** Trigger Guard Set
- GIMS - 022** Magazine
- GIMS - 023** Cord Set
- GIMS - 024** Battery Charger

for GIMS

- GIMS - 006** Magazine
- GIMS - 011** Folding Stock Set
- GIMS - 020** Handguard Battery Set

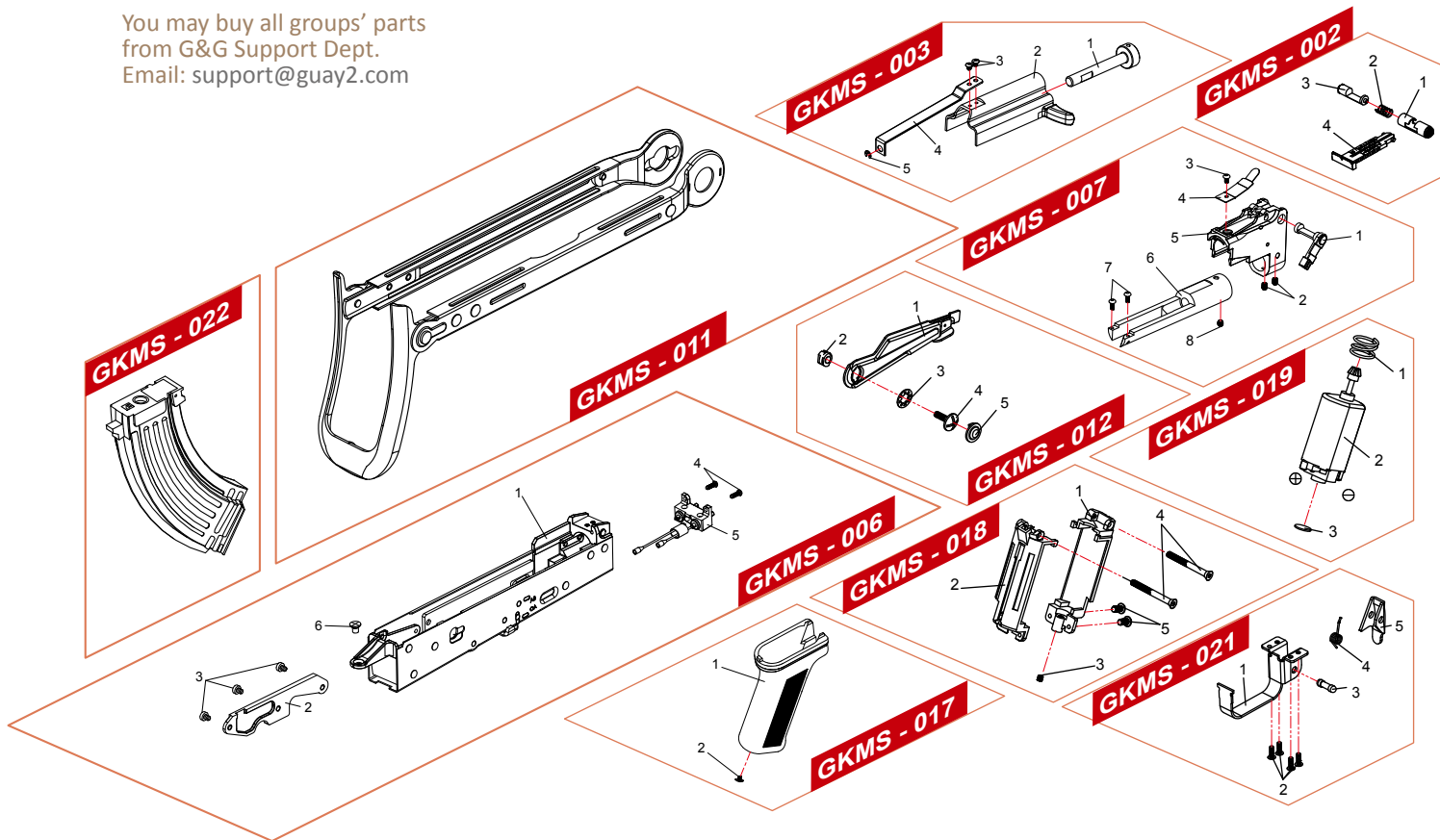
for GKM

- GKM - 006** Receiver Set
- GKM - 011** Butt Stock Set
- GKM - 020** Handguard Battery Set



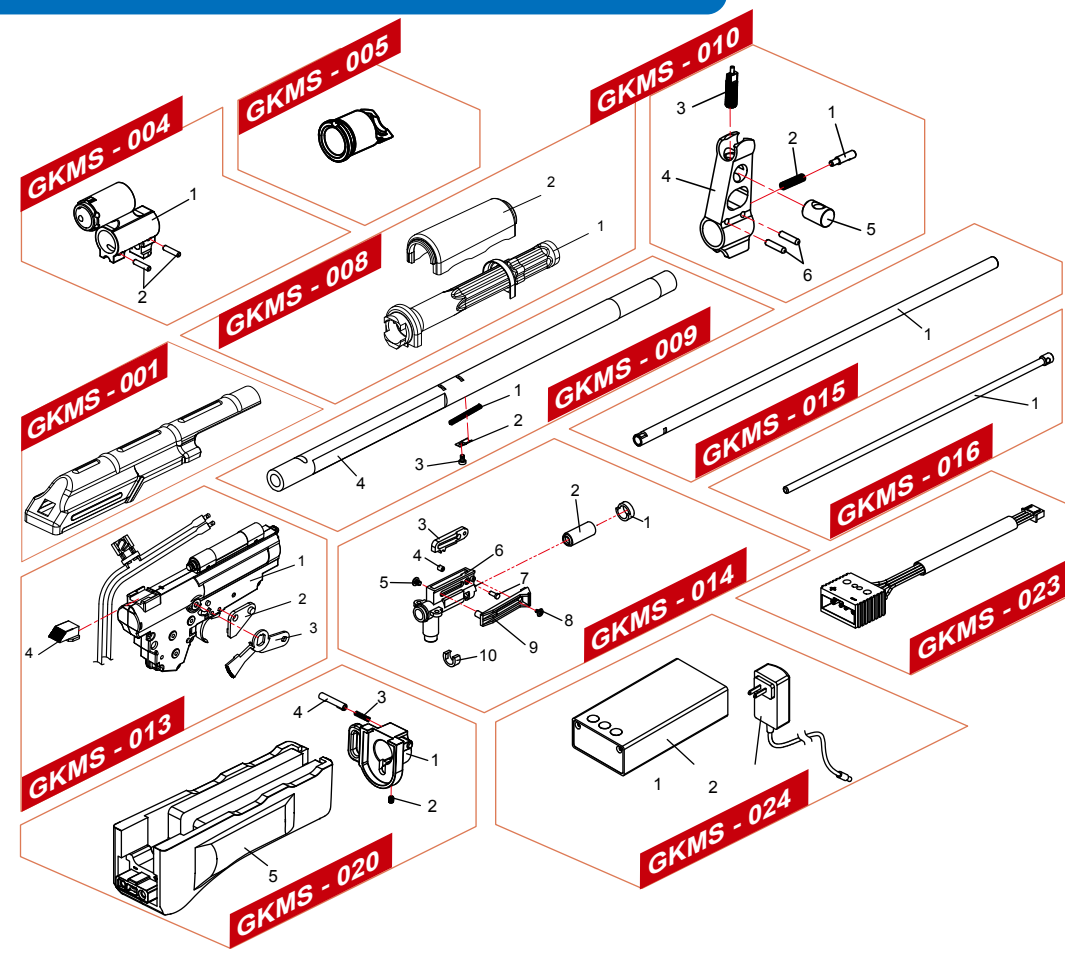
for GKMS

You may buy all groups' parts
from G&G Support Dept.
Email: support@guay2.com



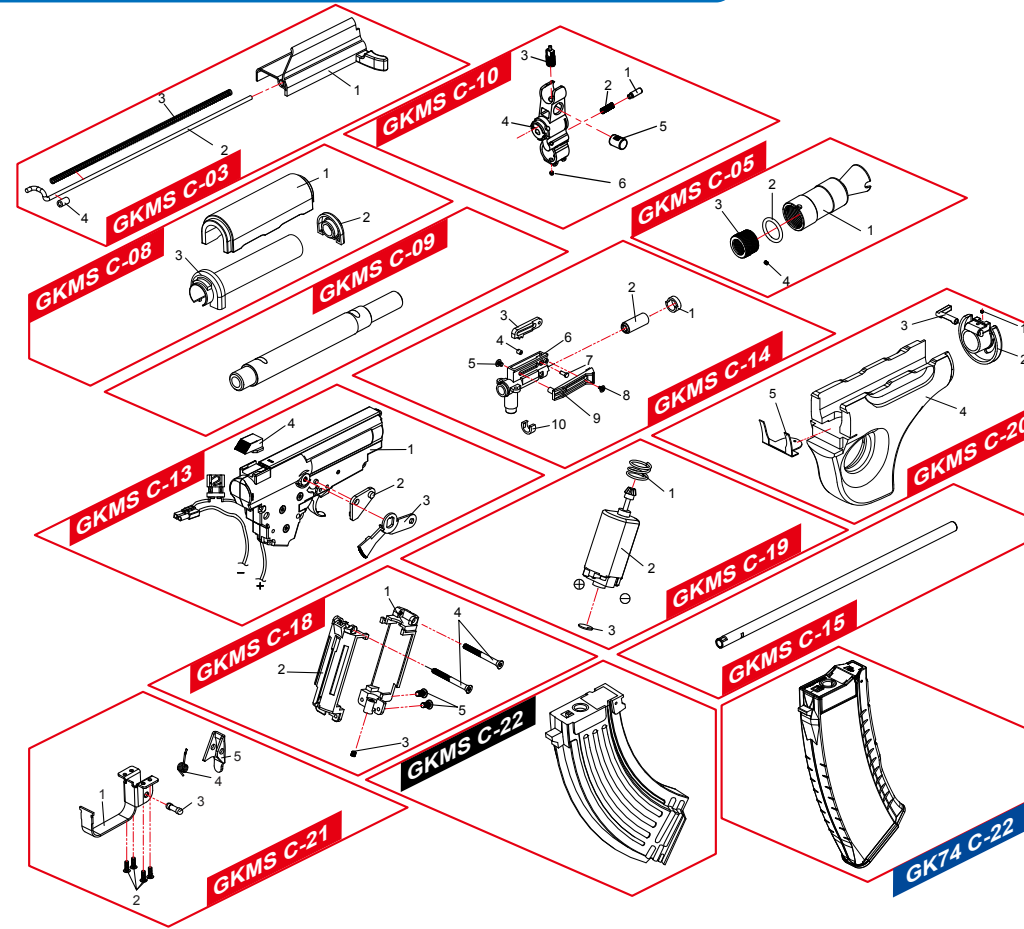
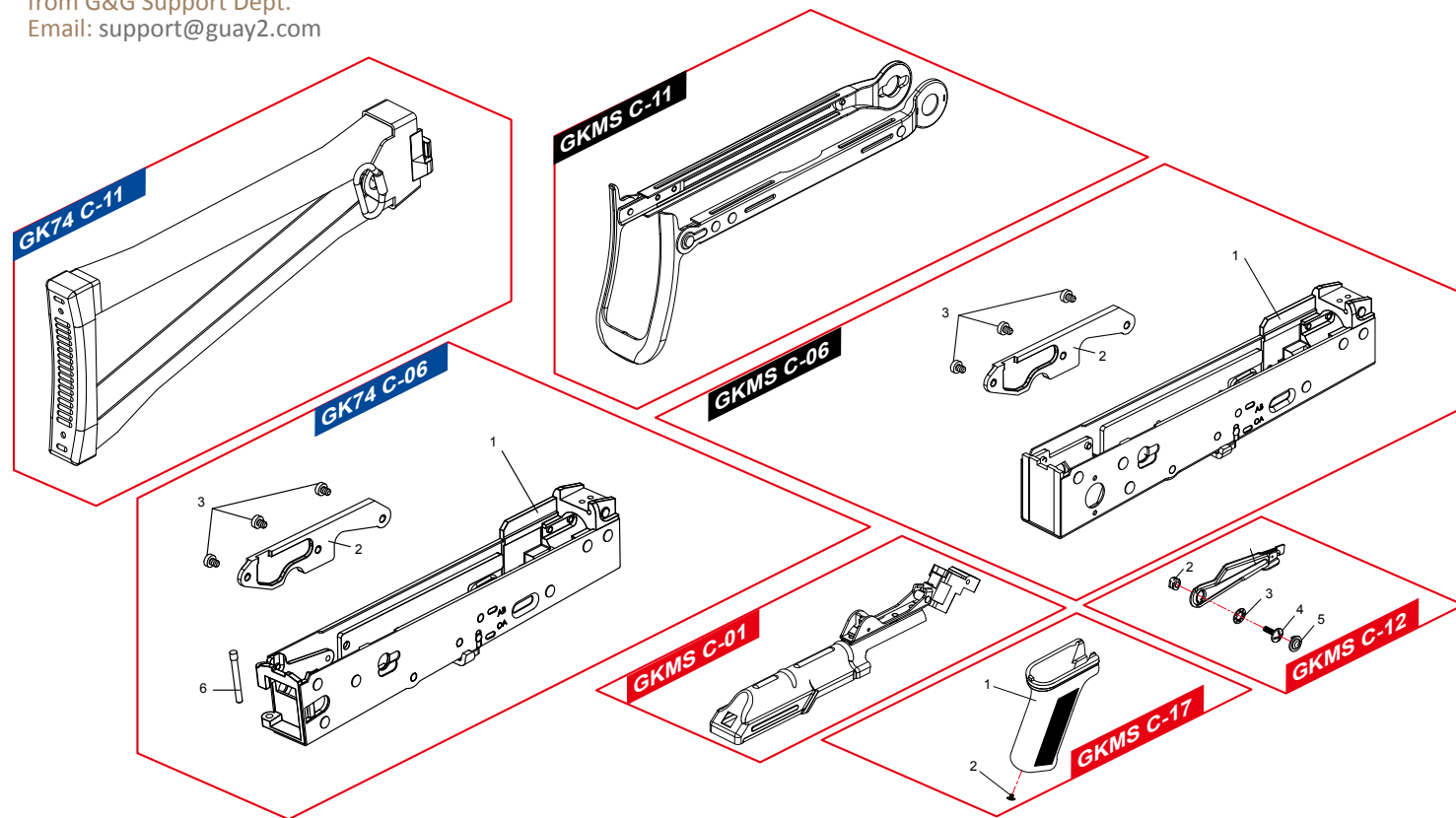
for GKMS

- GKMS - 001 Receiver Cover Set
- GKMS - 002 Rear Sight Set
- GKMS - 003 Bolt Set
- GKMS - 004 Gas Block Set
- GKMS - 005 Flash Suppressor Set
- GKMS - 006 Receiver Set
- GKMS - 007 Barrel Base Set
- GKMS - 008 Gas Cylinder Set
- GKMS - 009 Outer Barrel Set
- GKMS - 010 Front Sight Set
- GKMS - 011 Folding Stock Set
- GKMS - 012 Selector Lever Set
- GKMS - 013 Gear Box Set
- GKMS - 014 Hop Up Set
- GKMS - 015 Inner Barrel
- GKMS - 016 Clean Rod
- GKMS - 017 Grip Set
- GKMS - 018 Motor Base Set
- GKMS - 019 Motor Set
- GKMS - 020 Handguard Battery Set
- GKMS - 021 Trigger Guard Set
- GKMS - 022 Magazine
- GKMS - 023 Cord Set
- GKMS - 024 Battery Charger



You may buy all groups' parts
from G&G Support Dept.
Email: support@guay2.com

for GKMS Carbine / GK74 Carbine

You may buy all groups' parts
from G&G Support Dept.
Email: support@guay2.comfor GKMS Carbine
/ GK74 Carbine

- GKMS C - 01 Receiver Cover Set
- GKMS C - 03 Bolt Set
- GKMS C - 05 Flash Suppressor Set
- GKMS C - 08 Gas Cylinder Set
- GKMS C - 09 Outer Barrel Set
- GKMS C - 10 Front Sight Set
- GKMS C - 12 Selector Lever Set
- GKMS C - 13 Gear Box Set
- GKMS C - 14 Hop Up Set
- GKMS C - 15 Inner Barrel
- GKMS C - 17 Grip Set
- GKMS C - 18 Motor Base Set
- GKMS C - 19 Motor Set
- GKMS C - 20 Handguard Set
- GKMS C - 21 Trigger Guard Set

for GKMS Carbine

- GKMS C - 06 Receiver Set
- GKMS C - 11 Folding Stock Set
- GKMS C - 22 Magazine

for GK74 Carbine

- GK74 C - 06 Receiver Set
- GK74 C - 11 Folding Stock Set
- GK74 C - 22 Magazine

You may buy all groups' parts
from G&G Support Dept.
Email: support@guay2.com