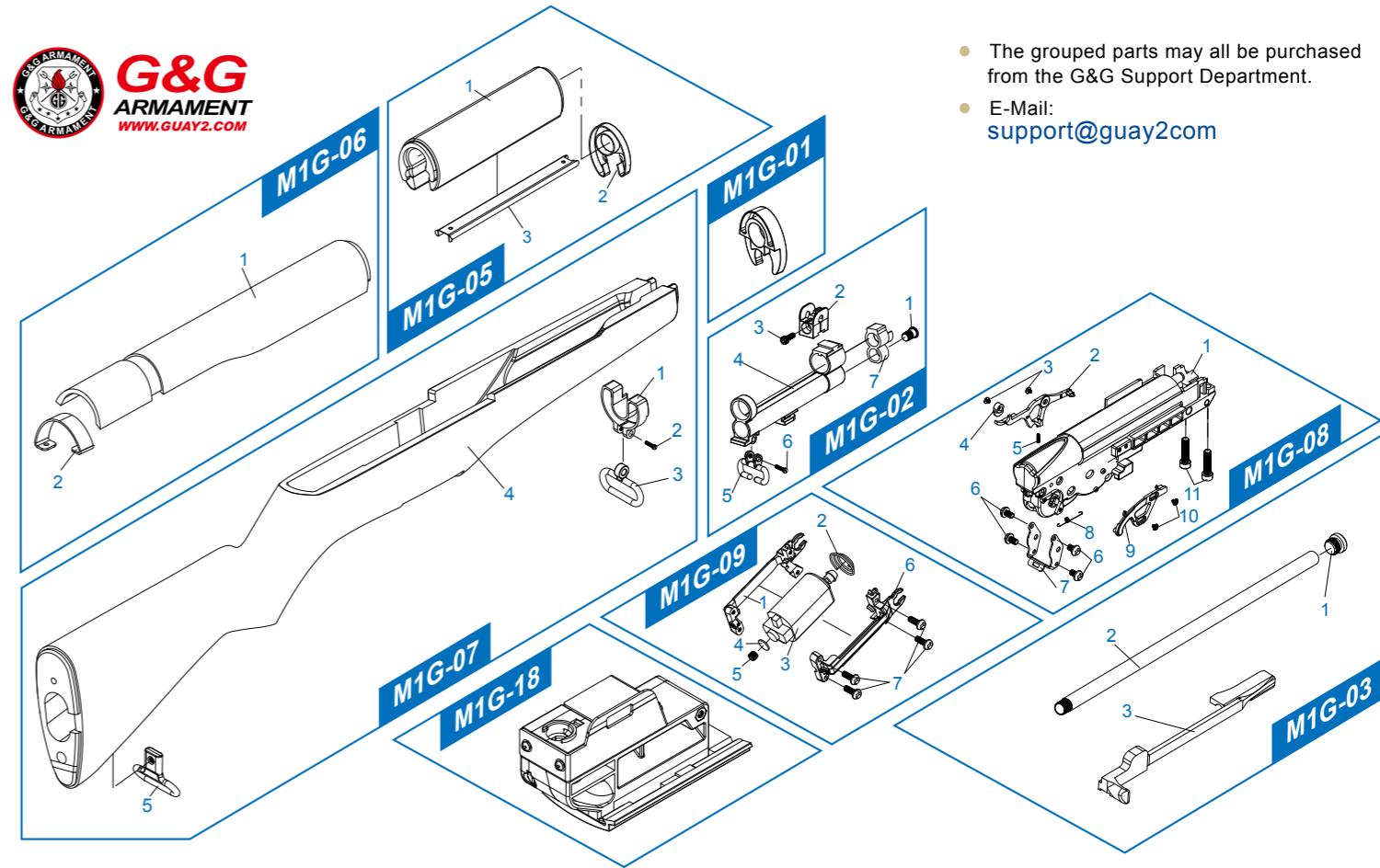
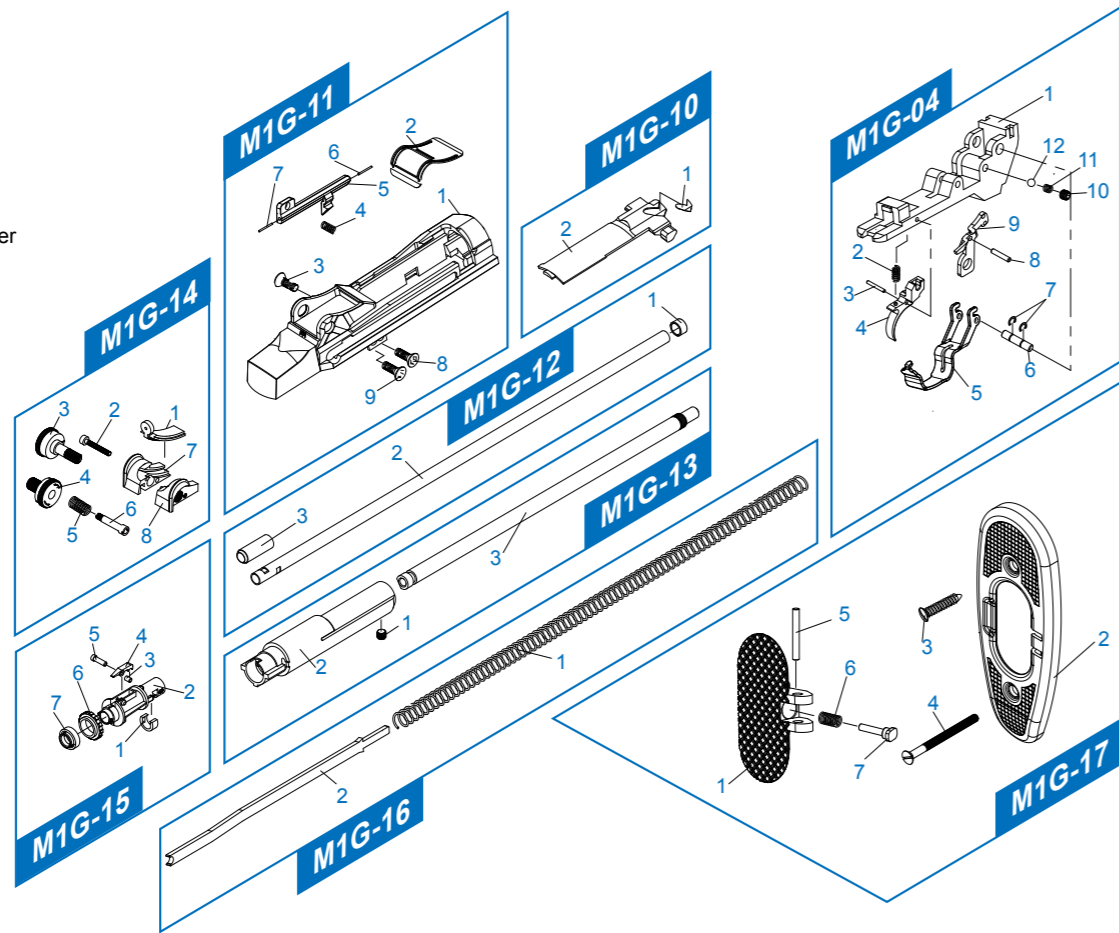


M1 Garand

Operating Instructions

[Parts list]

- M1G - 01** Rear handguard retainer
- M1G - 02** Front barrel set
- M1G - 03** Bolt handle set
- M1G - 04** Trigger set
- M1G - 05** Front handguard set
- M1G - 06** Rear handguard set
- M1G - 07** Stock set
- M1G - 08** Gear box set
- M1G - 09** Motor set
- M1G - 10** Dummy Bolt Plate
- M1G - 11** Upper receiver set
- M1G - 12** Inner barrel
- M1G - 13** Outer barrel set
- M1G - 14** Rear sight set
- M1G - 15** Hop-up set
- M1G - 16** Bolt handle spring set
- M1G - 17** Stock Plate Set
- M1G - 18** Magazine



- The grouped parts may all be purchased from the G&G Support Department.
- E-Mail: support@guay2.com

