

# A.E.G. Automatic Electric Gun

## TR4 / TR15 / TR16

### MANUAL



[WWW.GUAY2.COM](http://WWW.GUAY2.COM)  
**G&G ARMAMENT**  
AIRSOFT GUNS & ACCESSORIES

#### TAIWAN

**ChangHua** (Head Quarter) Tel : +886-4-798-9000 Fax : +886-4-798-9900  
No.999, Zhonghua Rd. Shengang Township,  
Changhua County 50952, Taiwan (R.O.C.)

**Taipei** Tel : +886-2-2692-2000 Fax : +886-2-2692-4000  
11F-3., No.27, Lane 169, Kangning St. Shijr City,  
Taipei County 22180, Taiwan (R.O.C.)

**Sales Dept.** sales@guay2.com, b2b@guay2.com  
**Technology Dept.** support@guay2.com  
**PR Dept.** pr@guay2.com

#### U.S.A.

**Los Angeles** Tel : +1-626-581-0101  
Fax : +1-626-581-1011  
1122 Coiner Court City of Industry,  
CA91748 (U.S.A.)  
sales101@guay2.com

G2-201211-02-英



**TOP FIVE**  
FUTURE INNOVATION  
FINEST QUALITY  
FAST SERVICE  
FREE ITEMS  
AIR PRICE

# A.E.G. Automatic Electric Gun

## TR4 / TR15 / TR16

### MANUAL





- ▲ All products employ a high precision 6.04mm barrel. Using 5.95mm BB pellets is highly recommended. Damage to the product due to by faulty BB pellets voids the warranty. Use with caution.
- ▲ The buyer and the user of this product shall adhere to all local laws regulating the usage and the ownership of airsoft guns.

- ▲ This product is intended for users 18 years or older.
- ▲ Read all instructions before using this product.
- ▲ Adult supervision required.
- ▲ Always wear safety goggles when using this product.
- ▲ Misuse or careless handling of this product may cause injury.
- ▲ May be hazardous up to 50 meters.

- Orange tip disclaimer :**
- ▲ All G&G Airsoft guns come with a permanent fixed orange tip required by law, which will grant Airsoft legal usage in the United States.
  - ▲ If you alter, modify, abuse or remove the orange tip, all warranty coverage will be void.

**Warning**  
For more product information  
please visit our website  
[www.guay2.com](http://www.guay2.com)



You may be liable for damaging public, personal property, or for injuring a person or an animal. Always observe good manners and enjoy fun sport shooting.



When you carry the air gun, attach the safety cap, set the selector lever to the safety position, and always put the air gun in a case or bag.

Never direct the muzzle towards a person, animal, or in any direction that may cause harm or damage to a third party.



Make sure to put the barrel and safety cap onto the muzzle except when shooting, to prevent any accidents, discharge of BB's, and also for dust protection purposes. Never pull the trigger while the barrel and safety cap are attached.

Safety procedures:  
1. Attach the safety cap to the muzzle.  
2. Set the selector lever to the safety position.  
3. Remove the magazine.



Select a safe place for operating the air gun and avoid places where people and cars are around.

Looking into the muzzle is extremely dangerous, regardless of having BB's loaded or not. If you get hit in the eye by a BB pellet, worst case scenario, you may lose your eye sight.



Activating the trigger carelessly is extremely dangerous. Never put your finger on the trigger unless the safety cap is removed and you are ready to shoot a target.

When shooting the air guns for target practice or in a game situation, you and all participants must wear safety goggles or other eye protective gear. Please pay attention to ricochets and third parties around you.



Always attach the safety cap to the muzzle, remove the battery and store the air gun in a case or bag and at a place that is out of reach of children.

There may be cases where some BB's remain in the gun after the magazine has been removed. After removal of the magazine, direct the muzzle towards a safe direction and pull the trigger to confirm that there are no BB's remaining in the gun, then attach the safety cap.



Disassembling or modifying the gun may adversely affect the performance and make it dangerous. It would also void all warranty.

## Contents

- 01 Warning
- 03 Contents
- 04 TR4 Series List
- 05 TR15 Series List
- 06 TR16 Series List
- 11 Blow Back Pneumatic System
- 13 TR16 Series Components
- 18 TR15 Series Components
- 19 TR4 Series Components
- 21 Selector & Safety
- 22 Installing the Battery
- 25 Sight Adjustment
- 26 Charging Handle & Hop-up Adjustment
- 27 Movable Parts
- 31 Magazine Setting
- 32 Firing
- 33 Maintenance
- 34 Troubleshooting & Disclaimer
- 35 Parts List - Common
- 36 Parts List - Gear Box
- 37 Parts List - Mock Suppressor & Barrel
- 38 Parts List - Upper Receiver & Sight
- 39 Parts List - Handguard & Rail
- 41 Parts List - Stock
- 42 Parts List - Grip & Others

## TR4 Series List



## TR4 Series list

For more product information please visit our website  
[www.guay2.com](http://www.guay2.com)





# TR15 Series List

G&G www.Guay2.com ARMAMENT



ADVANCED A.E.G. Manual TR4 / TR15 / TR16

# TR16 Series List

## TR15 Series list

For more product information please visit our website [www.guay2.com](http://www.guay2.com)



[ TR15 Raider ]



[ TR15 Raider DST ]



[ TR15 Raider-L ]



[ TR15 Raider-L DST ]



[ TR15 Raider-XL ]



[ TR15 Raider-XL DST ]

## TR16 Series list

For more product information please visit our website [www.guay2.com](http://www.guay2.com)



[ TR16 Carbine Light ]



[ TR16 Carbine Light DST ]



[ TR16 Ranger ]



[ TR16 Ranger DST ]



[ TR16 Carbine ]



[ TR16 Carbine DST ]



# TR16 Series List

G&G www.Guay2.com  
ARMAMENT



ADVANCED **A.E.G. Manual**  
TR4 / TR15 / TR16

# TR16 Series List

## TR16 Series list

For more product information please visit our website  
[www.guay2.com](http://www.guay2.com)



[ TR16 CRW ]



[ TR16 CRW DST ]



[ TR16 CRW Viper ]



[ TR16 CRW Cannon DST ]



[ TR16 CRW Cannon ]



[ TR16 CRW Viper DST ]

## TR16 Series list

For more product information please visit our website  
[www.guay2.com](http://www.guay2.com)



[ TR16 CQW ]



[ TR16 CQW DST ]



[ TR16 A2 Carbine ]



[ TR16 A2 DST ]



[ TR16 A2 ]



[ TR16 A2 Carbine DST ]

# TR16 Series List

G&G www.Guay2.com ARMAMENT



ADVANCED A.E.G. Manual TR4 / TR15 / TR16

# TR16 Series List

## TR16 Series list

For more product information please visit our website [www.guay2.com](http://www.guay2.com)



[ TR16 R4 Carbine ]



[ TR16 R4 DST ]



[ TR16 R4 Carbine DST ]



[ TR16 R4 ]



[ TR16 R4 Commando ]



[ TR16 R4 Commando DST ]

## TR16 Series list

For more product information please visit our website [www.guay2.com](http://www.guay2.com)



[ TR16 A3 Carbine ]



[ TR16 R5 DST ]



[ TR16 A3 Carbine DST ]



[ TR16 R5 ]



[ TR16 A3 ]



[ TR16 A3 DST ]



## Blow Back Pneumatic System

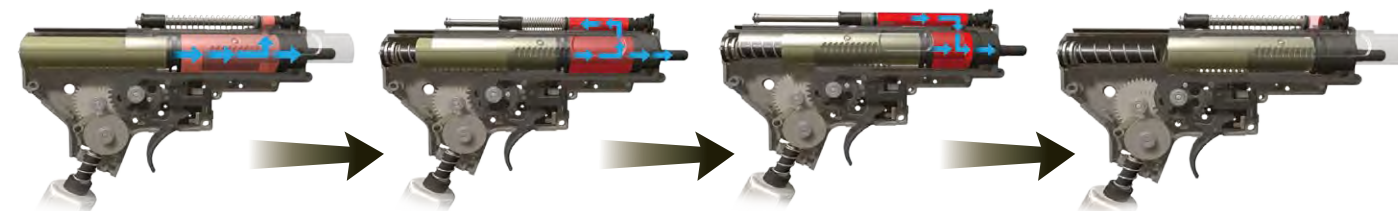
True to the faith of mimicking real life firearms, G&G is proud to present its new Pneumatic Blow Back system to its line of airsoft guns. Conventional airsoft blow back utilizes tow hook springs to mimic real life bolt actions, which often lead to excess wear, tear, and poor reliability in the gear box. To alleviate the problem of conventional systems, G&G has independently developed the Pneumatic Blow Back system; a piston driven and gas operated mechanism to better mimic real life bolt actions.

This new technology utilizes compressed air to move the bolt, which enables the action without adding extra stress to the gear box.

This class leading system represents a significant milestone in the airsoft industry.



For more product information please visit our website  
[www.guay2.com](http://www.guay2.com)



G&G awarded New blow back pneumatic system patents all over the world



### TAIWAN

Patent No : M300797



### USA

Patent No : 11/488698



### HONG KONG

Patent No : 06107627.0



### JAPAN

Patent No : 實願2006-1459



### EUROPEAN UNION

Patent No : 460191 814454



### CHINA

Patent No : 200620122468.9



### DENMARK

Patent No : BA2007 0069



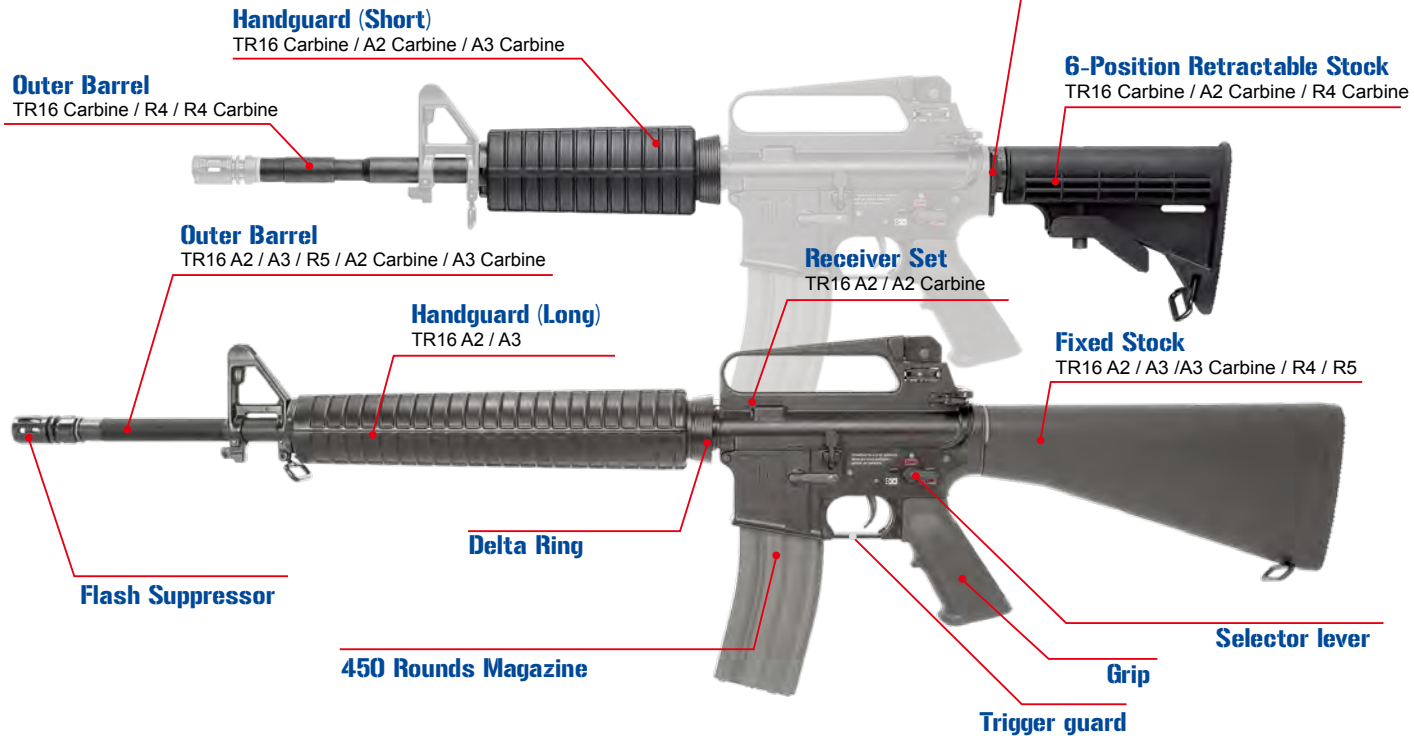
### U.K.

Patent No : 614422.4



## TR16 Series Components

For more product information  
 please visit our website  
[www.guay2.com](http://www.guay2.com)



## TR16 Series Components

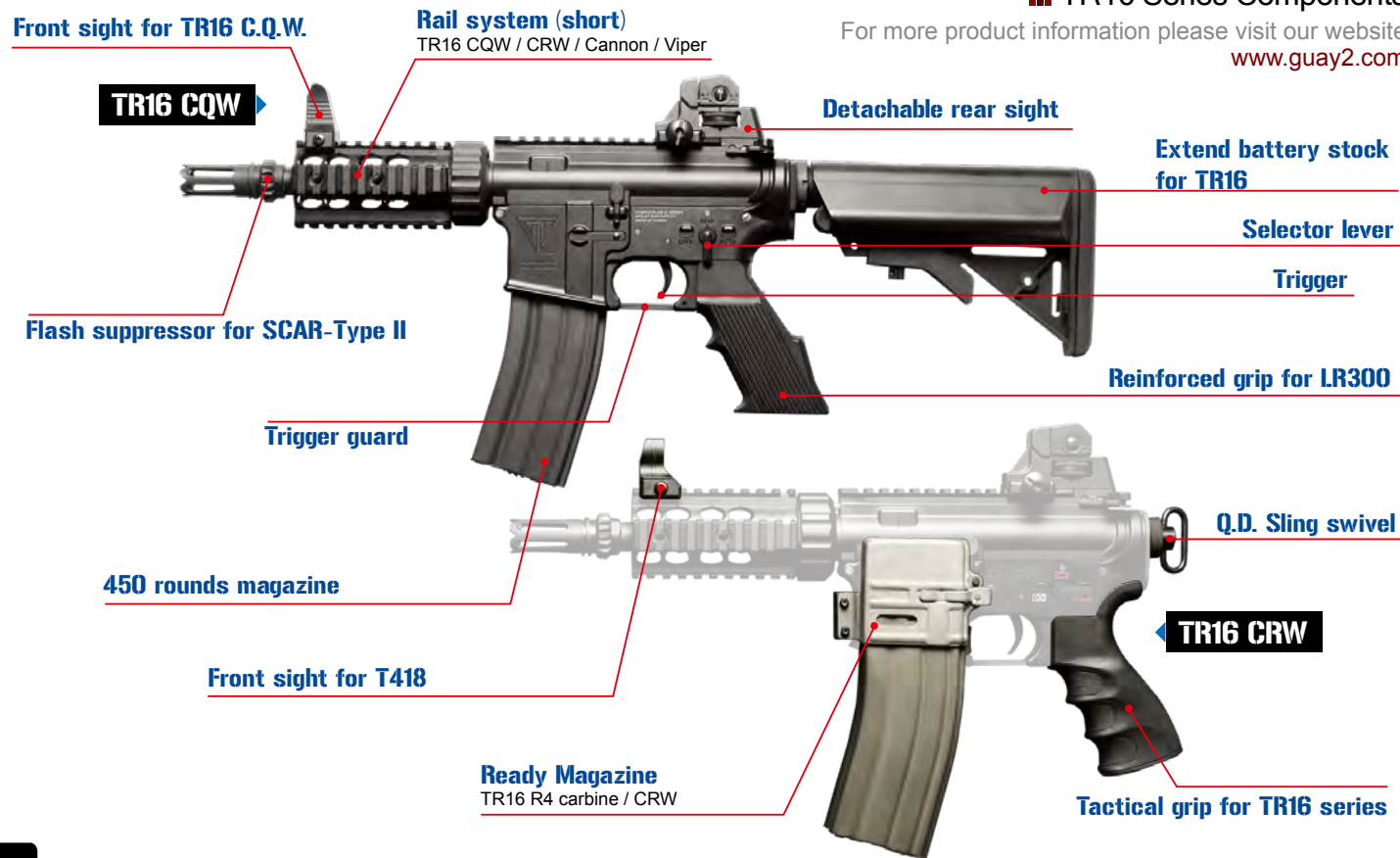
For more product information  
 please visit our website  
[www.guay2.com](http://www.guay2.com)





## TR16 Series Components

For more product information please visit our website  
[www.guay2.com](http://www.guay2.com)



## TR16 Series Components

For more product information please visit our website  
[www.guay2.com](http://www.guay2.com)



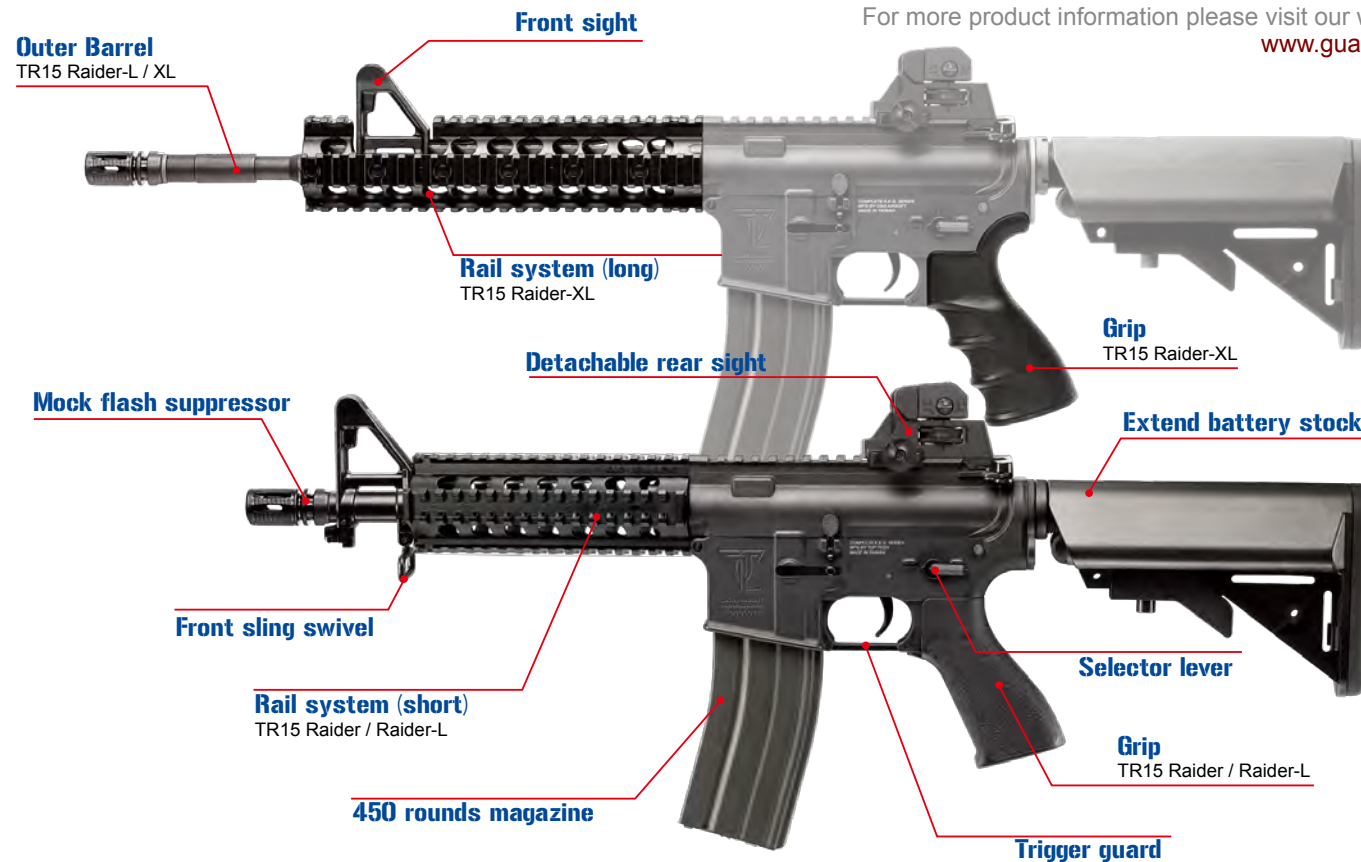
## TR16 Series Components

For more product information please visit our website [www.guay2.com](http://www.guay2.com)



## TR15 Series Components

For more product information please visit our website [www.guay2.com](http://www.guay2.com)



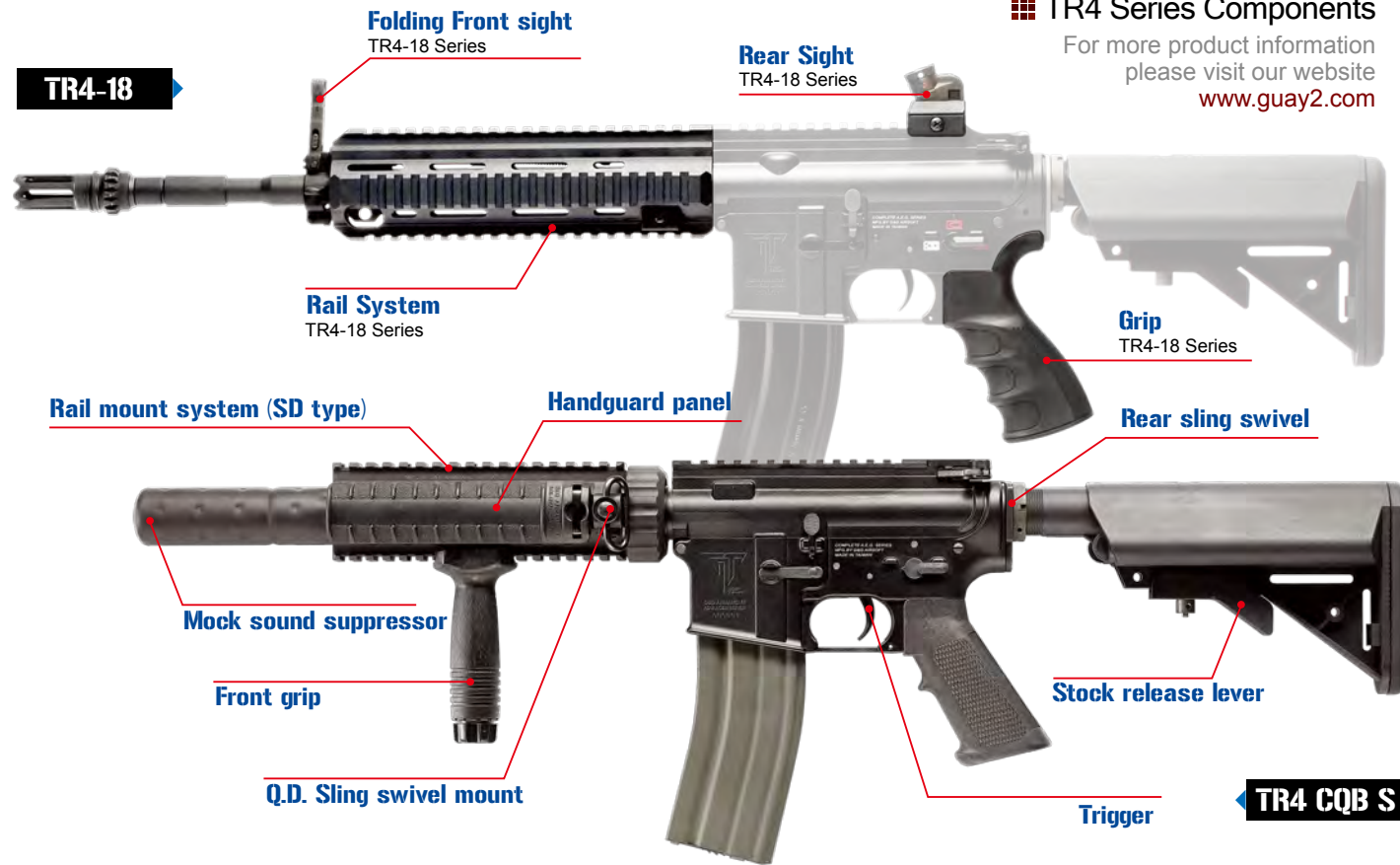


TR4 Series Components



TR4 Series Components

For more product information please visit our website [www.guay2.com](http://www.guay2.com)



## Selector & Safety

### Warning

- ▶ Never operate the selector switch while pulling the trigger. Otherwise, malfunctions may occur.
- ▶ Pulling the trigger with the Selector being set at safe mode may damage the air gun.

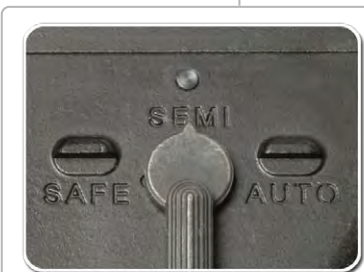
Always set the safety mode setting immediately after firing.



**Safety Setting Mode**

The trigger cannot be pulled

When the gun is in storage or not being fired, always set the selector to the Safe position and attach the protective cap on the muzzle.



**Semi Mode**

Single shot

The gun will fire one shot each time when pulling the trigger.



**Fully Automatic Mode**

Automatic firing

The gun will fire continuously while the trigger remains pulled.

### Warning

- ▶ Use only the G&G battery purchased from your local dealer.

## Installing the Battery

### For Fixed Stock Version

TR16 A2 / A3 / A3 Carbine / R4 / R5



Lower the stock plate nail and open the cover.



Connect the connector until you hear a 'click', then insert the battery into the fixed stock.



Close the battery cover.

### For Handguard Version

TR16 Carbine / A2 Carbine

TR4 CQB H



Pull the delta ring and hold. Remove the lower handguard.



Set the battery beside the outer barrel. Connect the battery plug with the connector until you hear a 'click'.



Hold the battery and pull the delta ring. Remove the lower handguard.



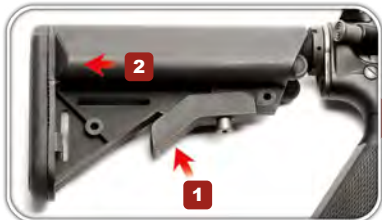
### Warning

► Use only the G&G battery purchased from your local dealer.

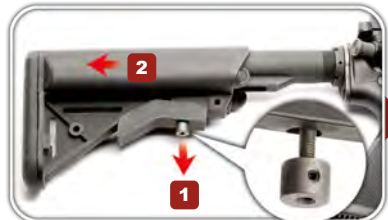
### Installing the Battery

#### For Extended Battery Stock Version

TR16 CQW | TR15 Series | TR4 CQB R / TR4 CQB S



1. Push the stock release lever.  
2. Pull the stock to the last position.



1. Pull and hold the stock release lever mount.  
2. Pull out the stock.



Turn and take off the battery cover.

#### For Extended Battery Stock Version

TR16 CQW | TR15 Series | TR4 CQB R / TR4 CQB S



Insert the battery into the stock.



Connect the battery plug into the connector until you hear a 'click'.



Reinstall the stock.

### Warning

► Use only the G&G battery purchased from your local dealer.

### Installing the Battery

#### For Ready Magazine Version

TR16 R4 Carbine / CRW



Pull out the connector.



Connect the battery plug with the connector until you hear a 'click'.



Insert into upper receiver and connect firmly until you hear a 'click'.

#### For Patriot Battery Stock Version

TR16 CRW Cannon / CRW Viper



Release the battery stock.



Connect the battery plug with the connector until you hear a 'click'.



1. Insert the battery into the stock.  
2. Lock the stock.

**Warning**

► Make sure not to lose the adjustment tool.

### Front sight adjustment



For front sight up-down adjustment.  
 Turning clockwise : Raises the pellet hitting point.  
 Turning counterclockwise : Lowers the pellet hitting point.

### Precision targeting



Battle sight  
 ( For common shooting )  
 Used for full automatic firing.



Battle sight  
 ( For special shooting )  
 Used for precision firing.

### Sight Adjustment

#### Windage adjustment knob

Turning the windage adjustment dial will move the pellet hitting point to the left or right.

For left-right adjustment.  
 Turning clockwise :  
 Shifts the pellet hitting point to the right.  
 Turning counterclockwise :  
 Shifts the pellet hitting point to the left.



#### Up-down adjustment



Turning the dial UP will raise the pellet hitting point.



Turning the dial DOWN will lower the pellet hitting point.

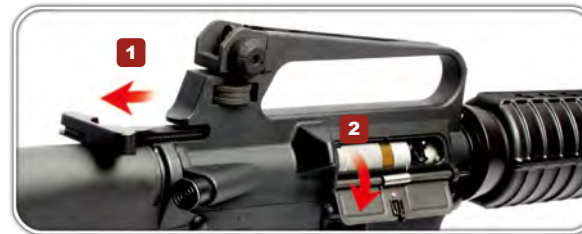


Raises the pellet hitting point.

**Warning**

► Be careful not to catch your fingers in the dummy bolt.

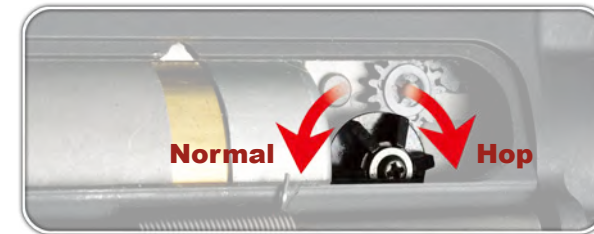
### Open the port cover



1. The Charging handle can be pulled and the bolt will be fastened.  
 2. Pulling the charging handle will take the bolt back and open the port cover. **This function is only for the plastic/blow back version**

### Charging Handle & Hop-up Adjustment

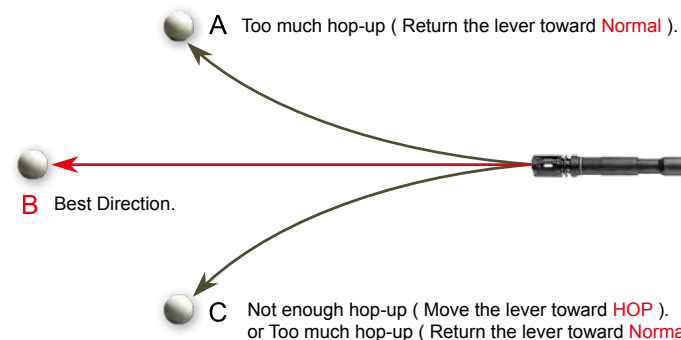
#### Hop-up adjustment



Turn the hop-up for a desired flight pattern of the BB pellet.  
 The hop-up dial can be turned to a certain degree.  
 Turning it too much will damage the unit.

**Warning**

► Never hold the gun sideways as the BB pellets will curve right or left due to the hop-up system.





**Warning**

► Only adjust if the gear noise becomes shrilly.

**Movable Parts**

**Depress the Trigger Guard**



Depress the trigger guard plunger with a proper tool and open the trigger guard.

**Motor Adjustment**



The motor adjustable screw is at the bottom of the grip. Use a screwdriver to adjust.

**Forward Grip Setting**



Set the forward grip on the rail.



Move the forward grip to adjust position.



Fasten the knob.

**Movable Parts**

**Installing the Carrying Handle**



Connect the detachable carrying handle with the upper receiver.



Fasten the interface knob.



Finish.

**Installing the Rear Sight**



Put on the detachable rear sight on the upper receiver.



Fasten the interface knob.



Finish.

■ Movable Parts

Q.D. Sling Swivel Setting



Put on Q.D.sling swivel mount on the rail. Fasten the screw.



Install the Q.D.sling swivel on the Q.D.sling swivel mount.



Install the Q.D. sling swivel on the sopmod tactical stock.

Rail Handguard Panels Setting



Set the forward grip on the rail.



Slide in the rail handguard panels.



Finish.

■ Movable Parts

Removing the Handguard



Pull the delta ring.



Remove the lower handguard.



Remove the upper handguard.

Retractable Stock



Push the release lever to unlock.



Pull the stock.



Adjust the position of the stock. (6 positions)



- Warning**
- ▶ Make sure to set the magazine upwards. It is securely installed with you hear a 'click'.
  - ▶ Confirm that the safety lever is set to Safety position and do not place your finger on the trigger.

## Magazine Setting

### Magazine Setting



Open the magazine cover.



Load G&G 5.95mm BB pellets into the magazine. The magazine is capable of holding approximately 450 pellets.



After the BB pellets have been loaded, close the cover and turn the gear on the bottom until the sound changes.

### Magazine Setting



Insert the magazine into the body until you hear a 'click'.

### To Release the Magazine



Press the magazine release.



Pull the magazine out of the receiver.

- Warning**
- ▶ Select a safe place for operating the air gun.
  - ▶ Never put your finger on the bolt when operating the air gun.

## Firing

### Firing



Make sure to install the magazine upwards and into the body. It is installed properly when you hear a 'click'.



Remove the protective cap only when you are ready to fire the gun.



Set the Selector Lever to Semi or Full Auto.

### After Operation

1. Remove the magazine and fire at a safe direction for 2-3 seconds. Push the forward assist knob to release the spring and have the selector set into safety mode. Make sure that the barrel is empty.
2. Always disconnect the battery and attach the protective cap whenever you do not operate the air gun.



### Cautions On Motor & Battery

1. Charge the battery if the firing cycle becomes slow.
2. Stop using the air gun for 5-10 minutes after firing around 500 rounds in order to ensure a longer life of the motor and battery.

## Maintenance



### Warning

- ▶ Make sure no dirt gets into the chamber to avoid clogging of pellets.
- ▶ Hop-up may be unstable for 200 to 300 rounds after using silicone oil. This is the normal operation of the gun.
- ▶ Never use CRC-556, WD40, or other corrosive lubricants.

### Maintenance When Pellet Speed Becomes Low

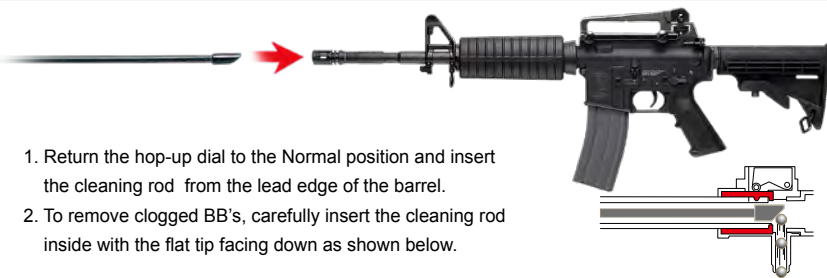


1. Place a few drops of silicone oil or teflon oil into the pellet entrance. After inserting BB pellets into the magazine, fire the gun for up to 200~300 pellets.
2. To complete the cleaning, use the cleaning rod ( with cotton ) to remove excess oil.

### Warning

- ▶ Do not jam the cleaning rod into the barrel by force.
- ▶ Should the BB's remains inside the barrel, point the gun towards a safe direction and discharge any loosened BB's in semi-automatic mode.

### Removing Clogged Pellets



1. Return the hop-up dial to the Normal position and insert the cleaning rod from the lead edge of the barrel.
2. To remove clogged BB's, carefully insert the cleaning rod inside with the flat tip facing down as shown below.

## Troubleshooting

SYMPTOM	POTENTIAL	CORRECTIVE
No operation at all	Selector lever is set to safety.	Set the selector lever to Semi or Full Auto.
	Battery is not charged.	Charge the battery.
	Battery connector is disconnected.	Connect the connector.
	The ⊕ and ⊖ of battery connector is reversed.	Switch the batteries to the correct position.
Although motor is revolving, no pellet can be fired	Expired motor life (50,000 to 60,000 rounds) or poor electrical connection.	Replace the dead motor (can be purchased from local dealer or directly from G&G). Check and repair the contacts.
	Pellets are clogged inside the magazine.	Insert the charging rod into the magazine and move up and down a few times to remove clogged pellets.
	Pellets are clogged in the chamber.	Remove clogged pellets using the cleaning rod.
	Faulty gear.	Purchase the replacement gear from your dealer or G&G and repair.
Impossible full-auto operation(automatic firing)	Insufficient battery power.	Charge the battery.
	Faulty pellet feed of magazine.	Repair clogging of the magazine.
	Poor electrical connection.	Consult your dealer or G&G for overhaul maintenance or repair.
Shooting distance becomes shorter	Damaged or worn chamber set.	Replace the replacement parts (purchase from your dealer or G&G)
	Damaged or worn piston set (O-ring,piston spring)	
	Something is jammed in the inner barrel	Use the cleaning rod and clean the inner barrel.
	Faulty BB pellets (too small or heavy)	Use the genuine G&G Pellets.
	Shortage of silicone oil	Place a few drops of silicone oil onto the upper chamber.
Too loud operating noise	Gear problem caused by too many blank firing	Consult your dealer or G&G for overhaul maintenance, part replacement (gear,etc.) or repair.
	Worn or damaged gear	
Pellets being fallen out from barrel end	No hop setting.	Turn the hop adjustment lever toward Hop.
	Faulty BB Pellets (too small or heavy)	Use the G&G Pellets.
If gun gets wet	Stop operation immediately, disconnect the battery, wipe off water from inside the main body and the battery. After the gun is completely dry, carry out trial firing. If the unit is not operational, please contact your local dealer for repair.	

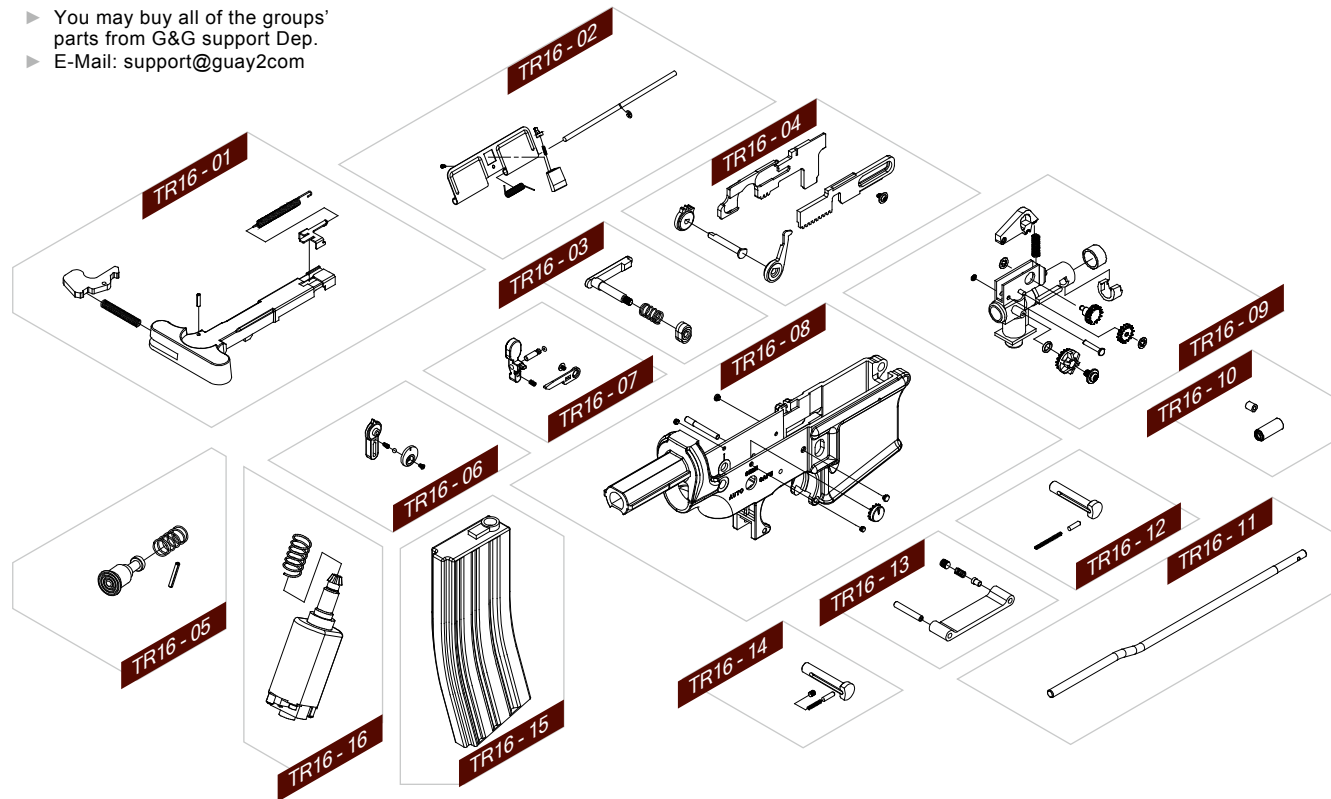
## Disclaimer

- Accessories pictured are not always included with product.
- Adult supervision required for users under 18 years of age.
- The purchaser and user should conform to all laws governing the ownership of airsoft guns.
- All products in this manual are imitation firearms and are not intended nor represented to be comparable in design, appearance, or function to any actual firearm offered by other manufacturers.
- Product names are trademarks of G&G, which has no affiliation to, and is not associated, or sponsored by any manufacturer of actual or imitation firearms. Products may vary from those pictured.



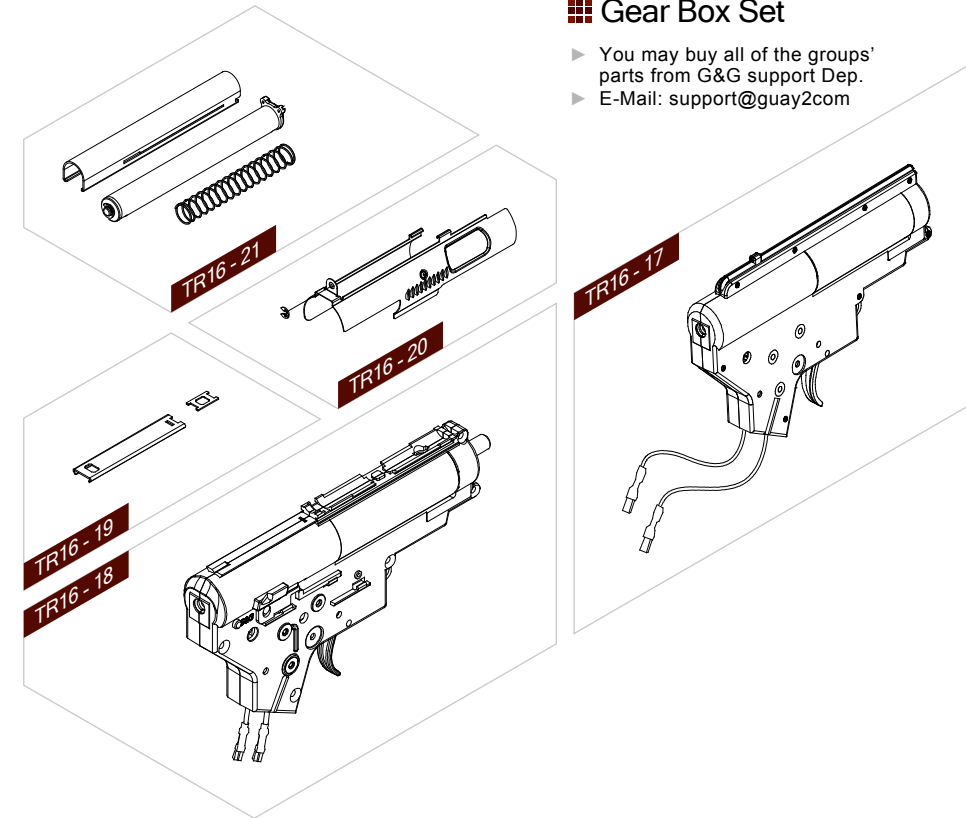
## Common Parts

- You may buy all of the groups' parts from G&G support Dep.
- E-Mail: support@guay2com



## Gear Box Set

- You may buy all of the groups' parts from G&G support Dep.
- E-Mail: support@guay2com



TR16-01	Charging Handle
TR16-02	Port Cover Set
TR16-03	Magazine Catch Set
TR16-04	Selector Plate
TR16-05	Assist Knob Set
TR16-06	Selector Lever Set
TR16-07	Bolt Catch Set
TR16-08	Lower Receiver Set
TR16-09	Hop-Up Set
TR16-10	Hop-Up Rubber Set
TR16-11	Piston Rod
TR16-12	Front Frame Lock Pin Set
TR16-13	Trigger Guard Set
TR16-14	Rear Frame Lock Pin Set
TR16-15	Magazine
TR16-16	Motor Set

Common Parts for TR16 / TR15 / TR4

TR16-17 Gear Box Set

Non-Blowback for TR16 A2 / A2 Carbine

TR16-18 Blowback Gear Box Set

TR16-19 Charging Upper Cover

TR16-20 Charging Plate

TR16-21 Blowback Piston Set

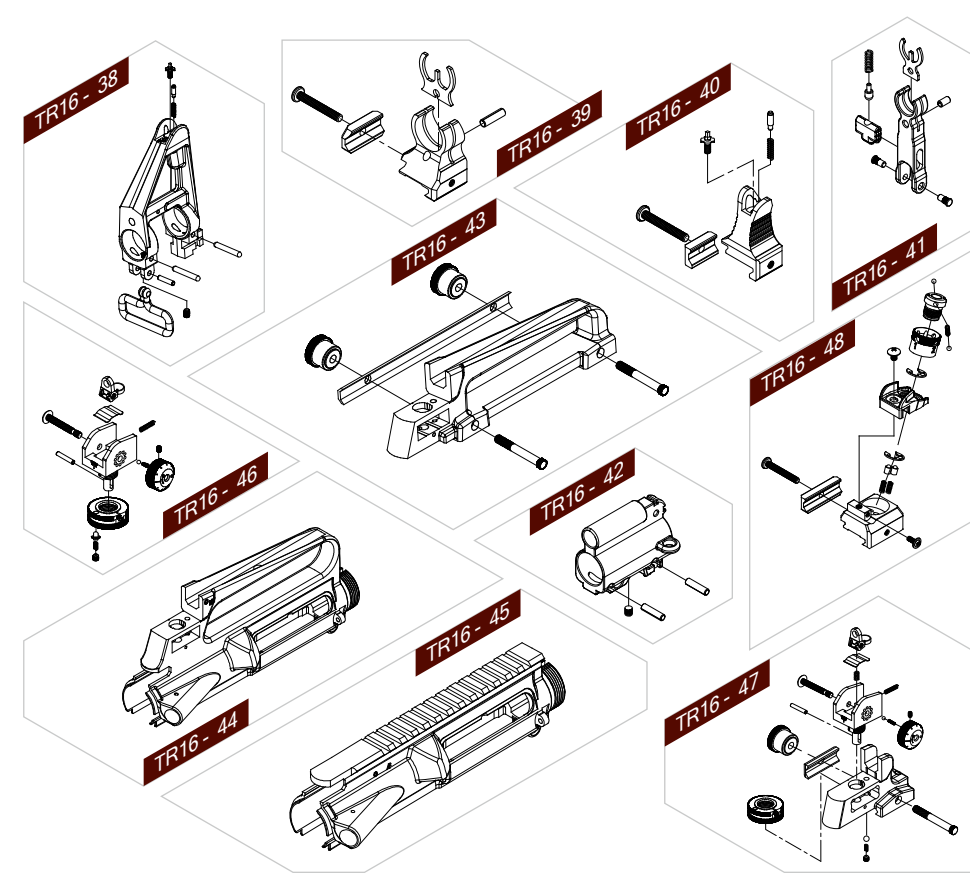
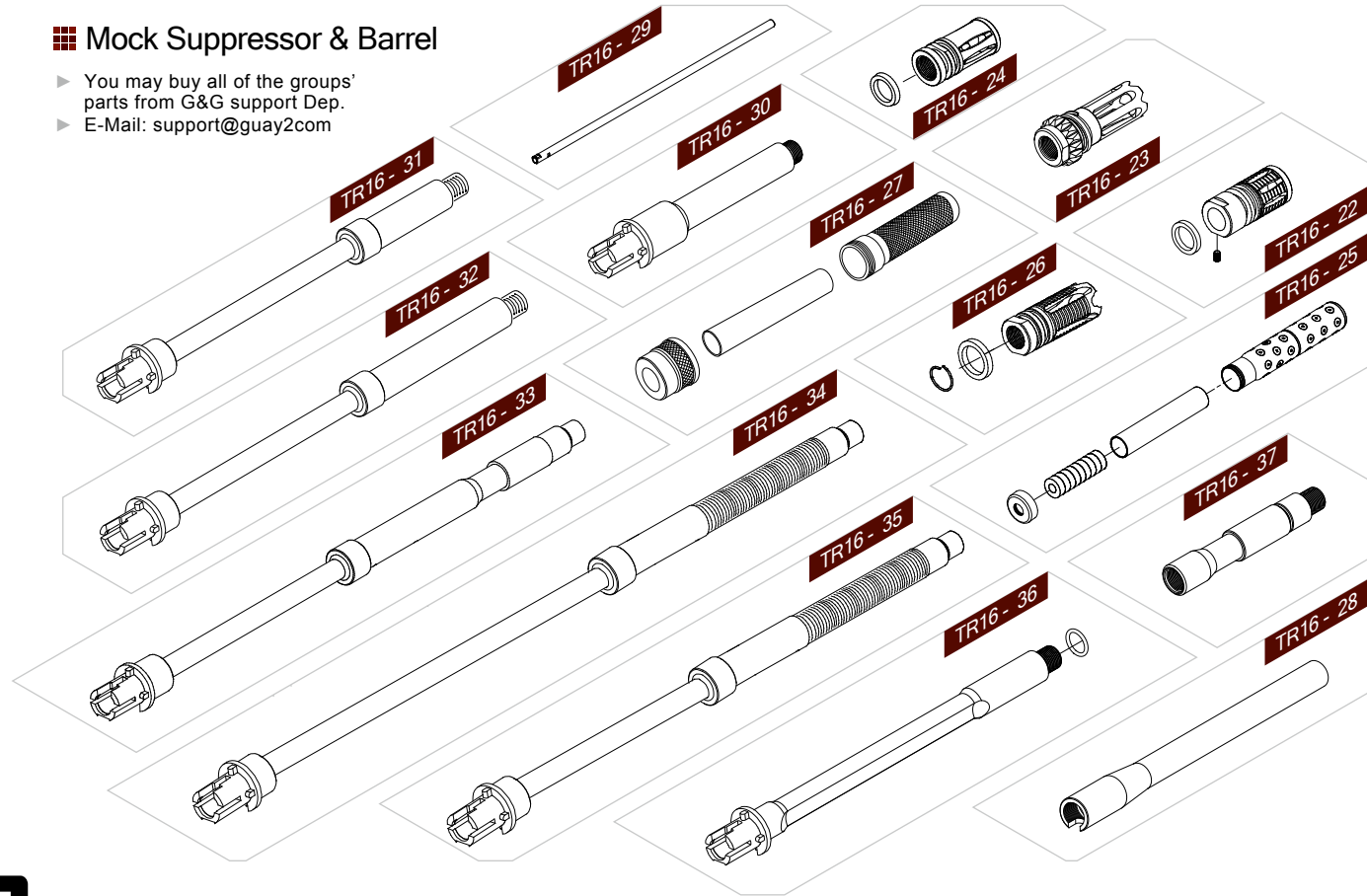
Blowback for TR16 / TR15 / TR4

# Parts List - Mock Suppressor & Barrel

# Parts List - Upper Receiver & Sight

## Mock Suppressor & Barrel

- You may buy all of the groups' parts from G&G support Dep.
- E-Mail: support@guay2com



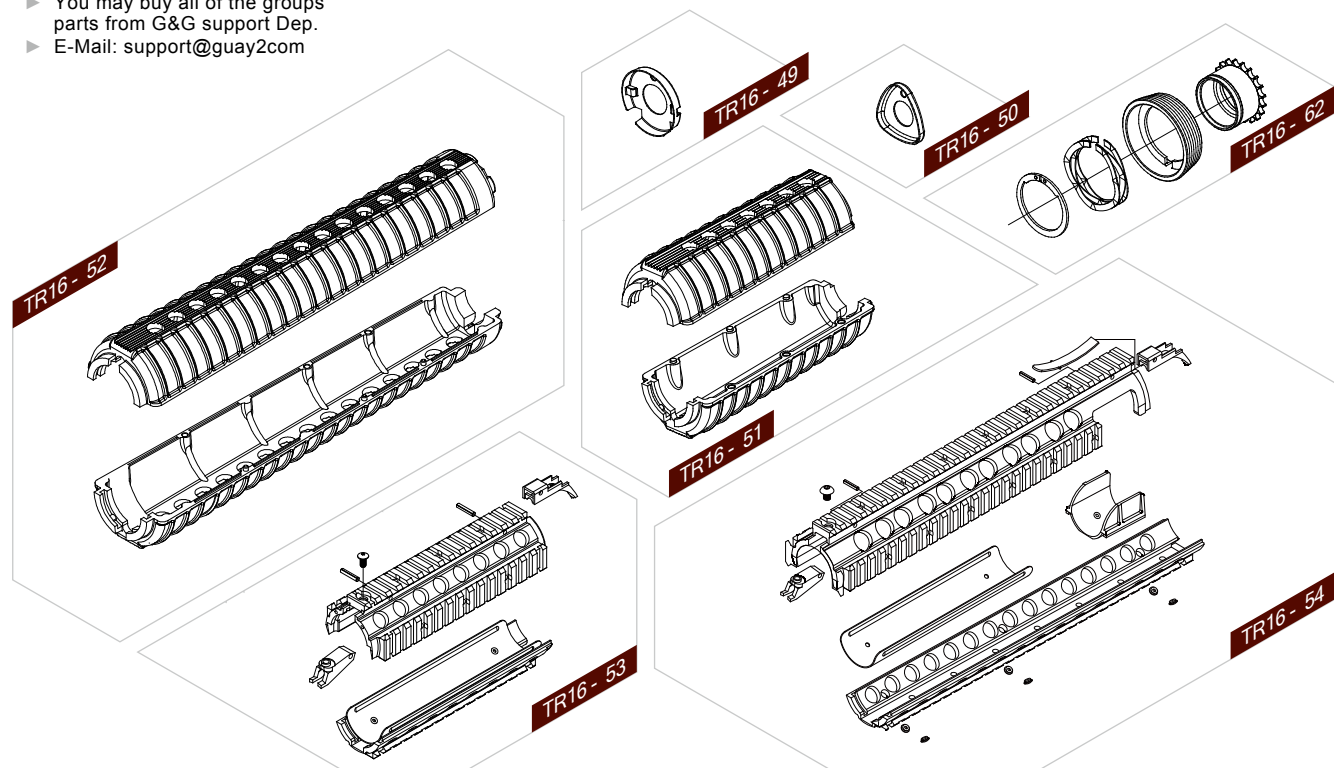
## Upper Receiver & Sight

- You may buy all of the groups' parts from G&G support Dep.
- E-Mail: support@guay2com

TR16-22	Mock Suppressor
TR16-23	Mock Suppressor (CRW / CQW / TR4-18)
TR16-24	Mock Suppressor (TR4-18 Light)
TR16-25	Mock Suppressor (CQB-S)
TR16-26	Mock Suppressor (CQB-R/H)
TR16-27	Mock Suppressor (CRW Cannon)
TR16-28	Mock Suppressor (CRW Viper)
TR16-29	Inner Barrel (Different Lengths)
TR16-30	Outer Barrel (CRW / CQW / CRW Cannon)
TR16-31	Outer Barrel (Carbine Light / CQB-R/H / Raider)
TR16-32	Outer Barrel (Ranger)
TR16-33	Outer Barrel
TR16-34	Outer Barrel (A2 / A3 / R5)
TR16-35	Outer Barrel (A2 Carbine / A3 Carbine)
TR16-36	Outer Barrel (TR4-18 Series)
TR16-37	Outer Barrel Extender (TR4-18)
TR16-38	Front Sight
TR16-39	Front Sight (CRW / Viper / Canoon / TR4-18 Light)
TR16-40	Front Sight (CQW)
TR16-41	Front Sight (TR4-18)
TR16-42	Front Sight Mount (TR4-18 Series)
TR16-43	Detachable Carrying Handle
TR16-44	Upper Receiver (A2 / A2 Carbine)
TR16-45	Upper Receiver
TR16-46	Rear Sight (with TR16-38,39)
TR16-47	Rear Sight
TR16-48	Rear Sight (CRW Viper / Cannon)

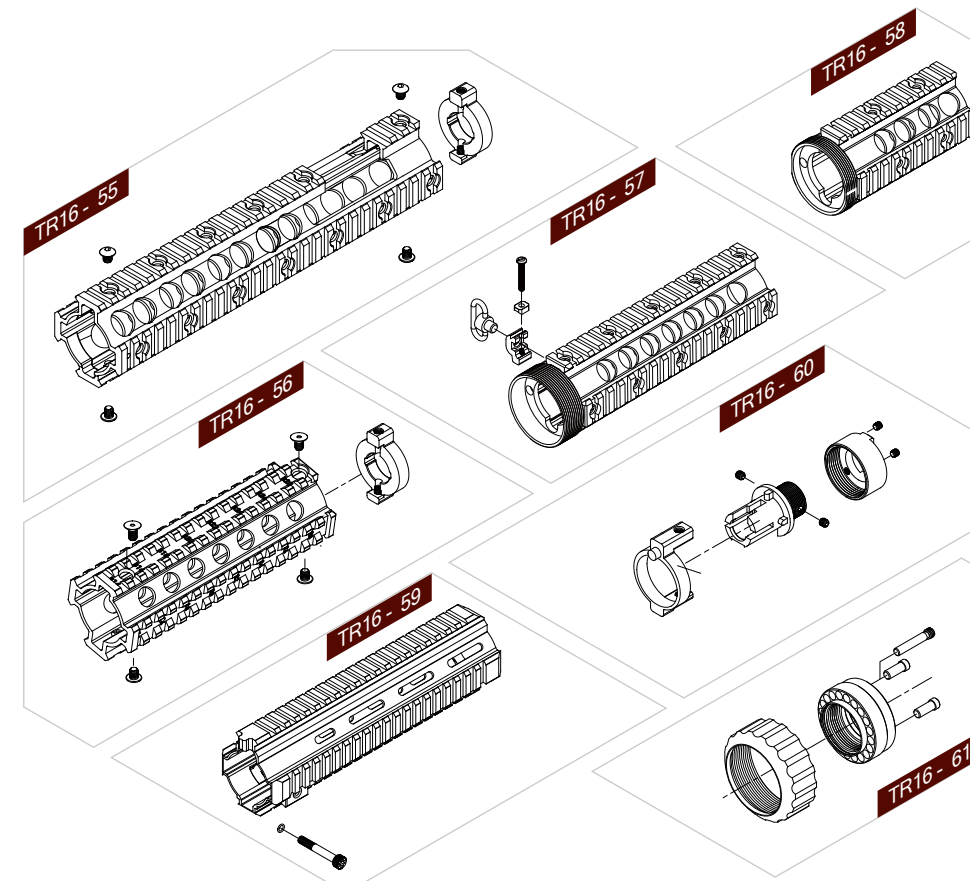
## Handguard & Rail

- ▶ You may buy all of the groups' parts from G&G support Dep.
- ▶ E-Mail: support@guay2com



## Handguard & Rail

- ▶ You may buy all of the groups' parts from G&G support Dep.
- ▶ E-Mail: support@guay2com

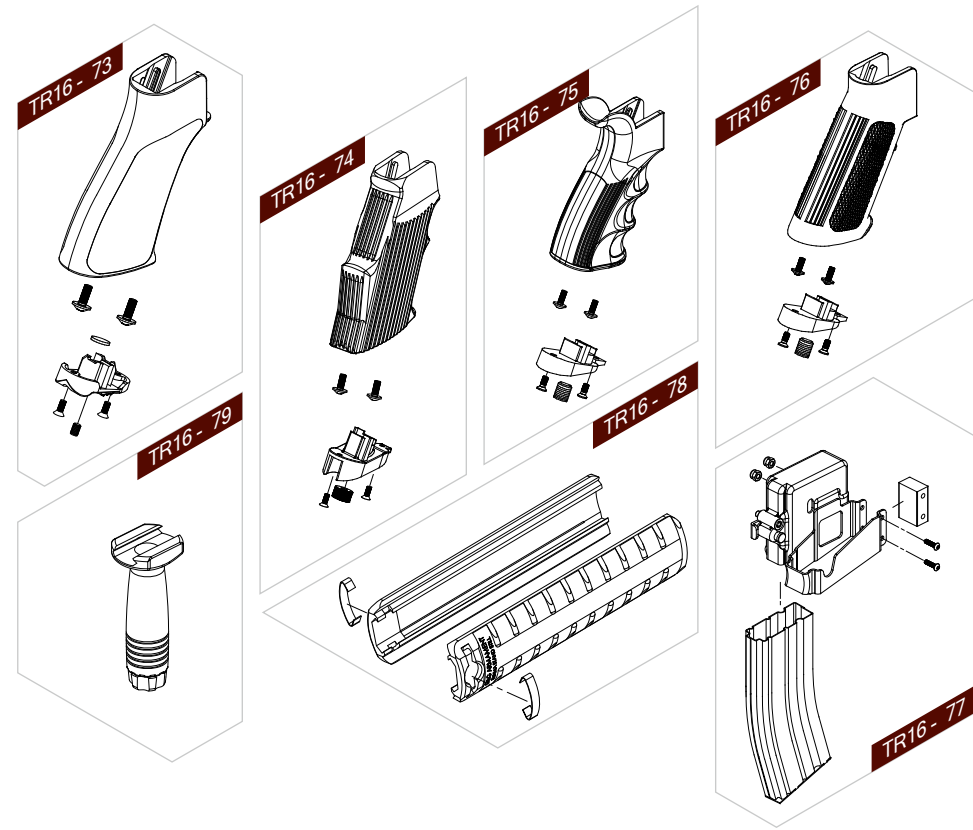
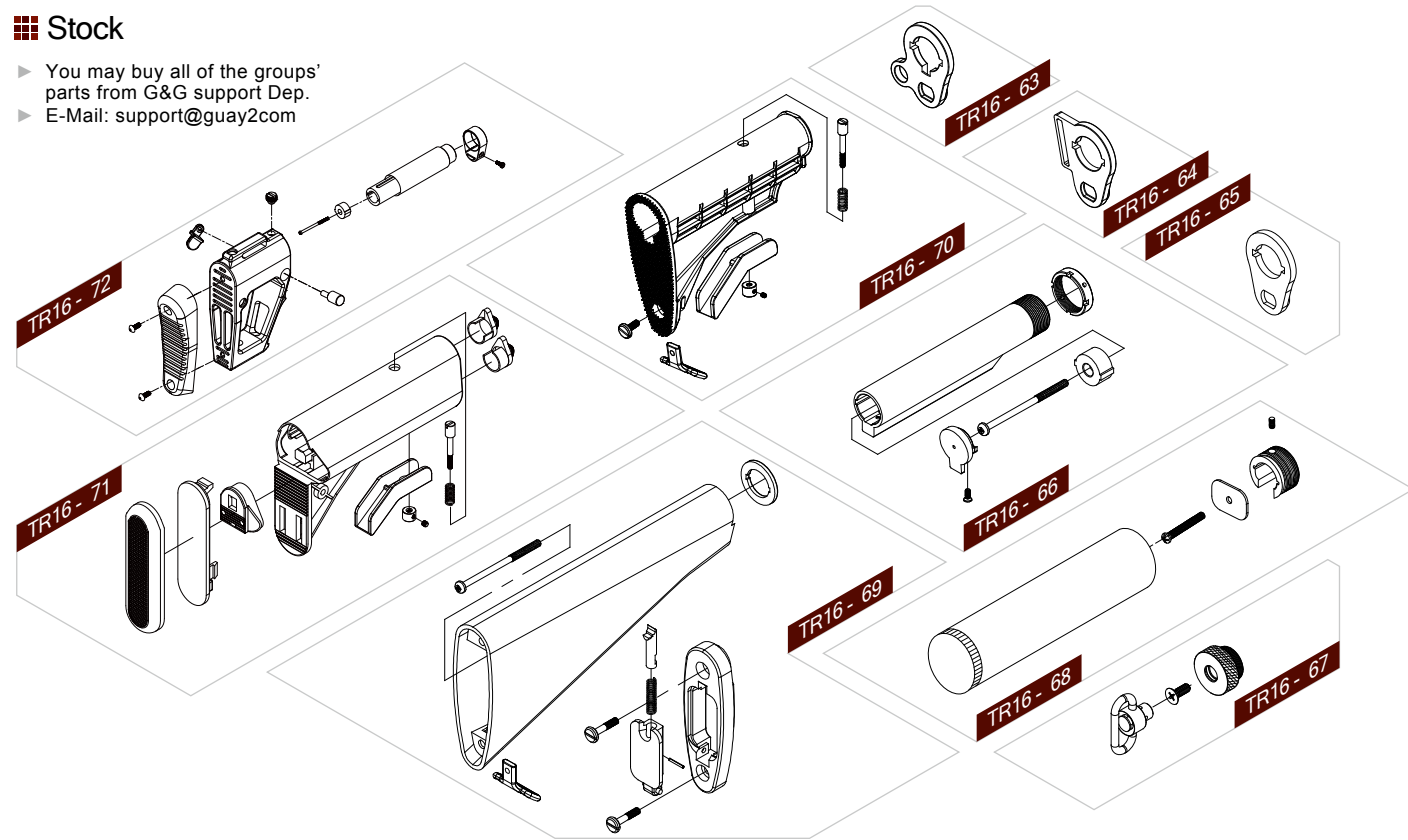


TR16-49	Handguard Front Fixed Ring
TR16-50	Handguard Front Fixed Ring (TR16 A2 / A3)
TR16-51	Handguard
TR16-52	Handguard (TR16 A2 / A3)
TR16-53	Rail System Set (TR16 R4 / R4 Carbine / TR4 CQB-R)
TR16-54	Rail System Set (TR16 R5)
TR16-55	Rail System Set (Raider-XL)
TR16-56	Rail System Set
TR16-57	Rail System Set (TR4 CQB-S)
TR16-58	Rail System Set (CQW / CRW / Viper / Cannon)
TR16-59	Rail System Set (TR4-18 Series)
TR16-60	Rail System Rear Fixed Set (with No. TR16-50, 51)
TR16-61	Delta Ring (with No. TR16-52, 53)
TR16-62	Delta Ring



## Stock

- ▶ You may buy all of the groups' parts from G&G support Dep.
- ▶ E-Mail: support@guay2.com



## Grip & Others

- ▶ You may buy all of the groups' parts from G&G support Dep.
- ▶ E-Mail: support@guay2.com

<b>TR16-63</b>	Sling Attachment (CRW Viper / Cannon / Raider / Raider-LXL)
<b>TR16-64</b>	Sling Attachment
<b>TR16-65</b>	Stock Washer (CRW)
<b>TR16-66</b>	Buffer Tube Set (with No. TR16-64, 65)
<b>TR16-67</b>	Rear Q.D. Sling Swivel Set (CRW)
<b>TR16-68</b>	Patriot Battery Stock Set (CRW Viper / Cannon)
<b>TR16-69</b>	Fixed Stock Set
<b>TR16-70</b>	Retractable Stock Set
<b>TR16-71</b>	Extended Battery Stock Set
<b>TR16-72</b>	Sopmod Tactical Stock Set (CQB-H)
<b>TR16-73</b>	Grip Set (Raider / Raider-L)
<b>TR16-74</b>	Grip Set (CQW)
<b>TR16-75</b>	Grip Set (CRW / Viper / Cannon / Raider-XL / TR4-18)
<b>TR16-76</b>	Grip Set
<b>TR16-77</b>	Ready Magazine Set (CRW / R4 Carbine)
<b>TR16-78</b>	Handguard Panel Set (R5 / CQB-S/R)
<b>TR16-79</b>	Forward Grip (R4 / R4 Carbine / R4 Commando / R5 / CQB-S/R)

**TR4 MOD 0  
 DST**

Detachable Front Sight

Detachable Rear Sight

Handguard

Picatinny Rail x 3

Tactical Sling Attachment

6-Position Retractable Stock

**TR4 MOD 0**

Delta Ring

Flash Suppressor

Selector Lever

Mid-Cap 120R Magazine

Grip

**Components**

**Installing the Battery**



1. Pull and hold down the delta ring.  
 2. Remove the lower handguard.



Connect the battery with the connector until you hear a 'click', then reinstall the lower handguard.

**TR4 MOD 0  
 INSTRUCTION  
 MANUAL**

**Loading BB Pellets**



**Magazine Style  
 420R BB Loader**  
 Model No. G-08-100-1  
 [ Optional Parts ]

1. Open the trap door on the top of the BB loader.
2. Load G&G 5.95mm BB pellets into the Magazine style BB Loader.
3. Connect magazine style loader with the 120R Magazine.
4. Slide the retainer to release the injection lever.
5. Press the injection lever to load BBs into the magazine. Continue loading until the magazine is full.

**Movable Parts - Stock**



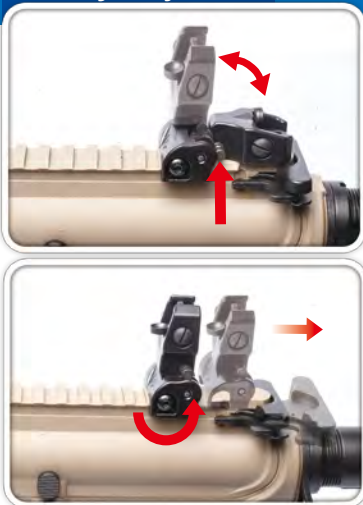
1. Pull the release lever to adjust the position of the stock. (6 positions)
2. Pull the locking lever until it click into place to secure the position of the stock.

**Extra Storage Space**



Press the button then pull out.

**Rear Sight Adjustment**



1. Press down the button to fold the rear sight.
2. Loosen the hex screw before removing the rear sight. Pull the charging handle so the rear sight can be removed.

**Front Sight Adjustment**



Turn the knob counterclockwise to remove the front sight.

# TR4 MOD 0

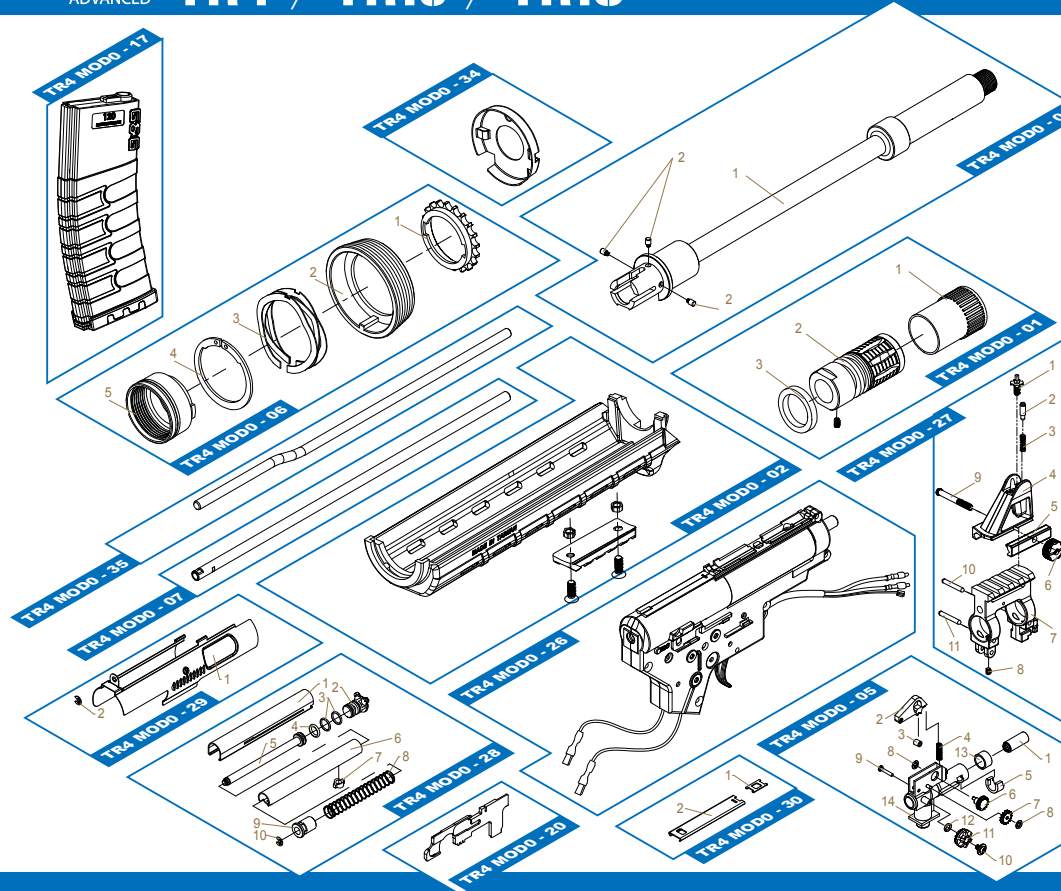
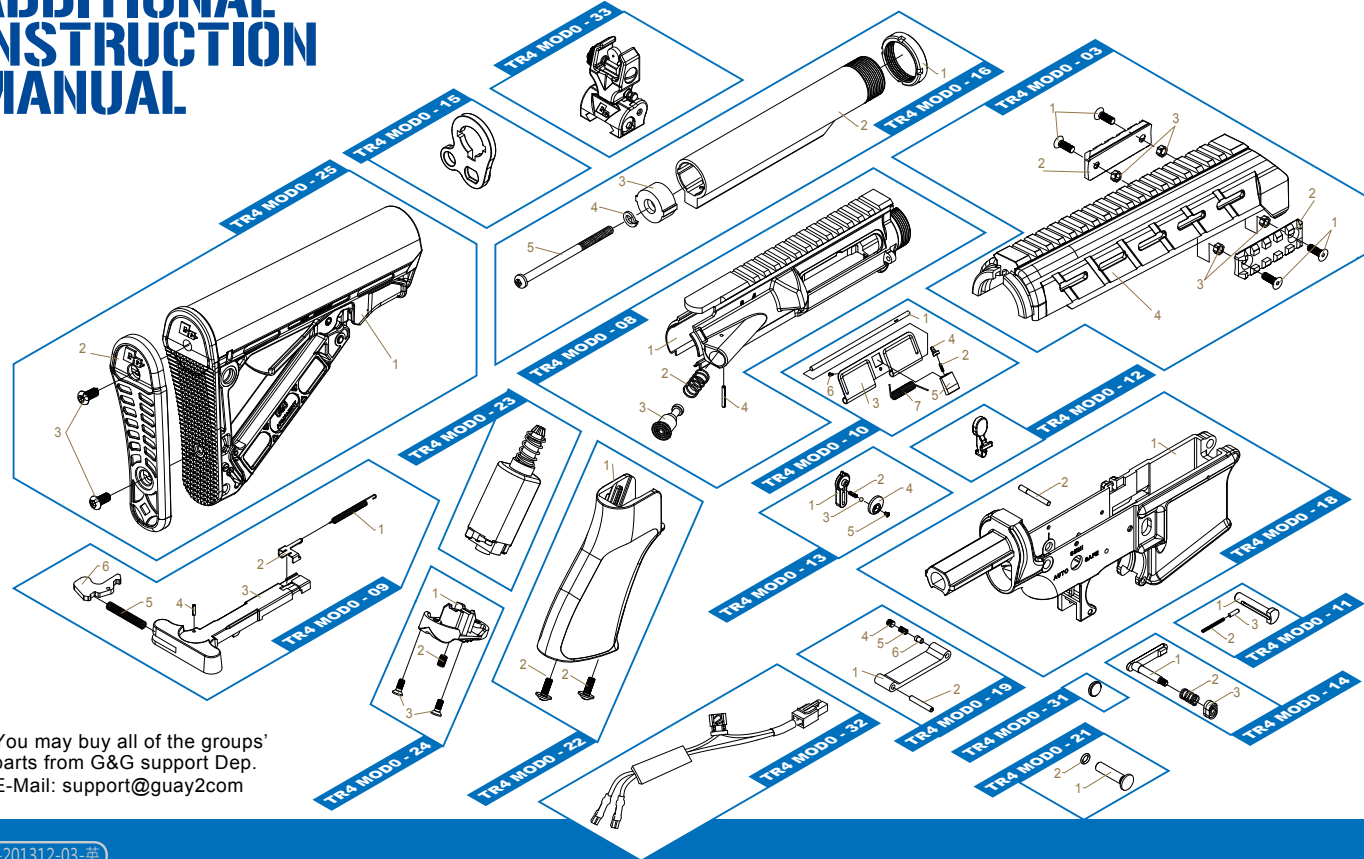
## ADDITIONAL INSTRUCTION MANUAL

G&G www.Guay2.com ARMAMENT



A.E.G. Manual  
TR4 / TR15 / TR16

### Parts List



- TR4 MOD0 - 01 Flash Suppressor
- TR4 MOD0 - 02 Lower Handguard Set
- TR4 MOD0 - 03 Upper Handguard Set
- TR4 MOD0 - 04 Outer Barrel Set
- TR4 MOD0 - 05 Hop Up Set
- TR4 MOD0 - 06 Delta Ring
- TR4 MOD0 - 07 Inner Barrel
- TR4 MOD0 - 08 Upper Receiver Set
- TR4 MOD0 - 09 Charging Handle Set
- TR4 MOD0 - 10 Port Cover Set
- TR4 MOD0 - 11 Front Frame Lock Pin Set
- TR4 MOD0 - 12 Bolt Catch Set
- TR4 MOD0 - 13 Selector Lever Set
- TR4 MOD0 - 14 Magazine Catch Set
- TR4 MOD0 - 15 Sling Swivel Mount
- TR4 MOD0 - 16 Stock Tube
- TR4 MOD0 - 17 Magazine
- TR4 MOD0 - 18 Lower Receiver Set
- TR4 MOD0 - 19 Trigger Guard Set
- TR4 MOD0 - 20 Selector Plate
- TR4 MOD0 - 21 Rear Frame Lock Pin Set
- TR4 MOD0 - 22 Grip Set
- TR4 MOD0 - 23 Motor
- TR4 MOD0 - 24 Grip Bottom Set
- TR4 MOD0 - 25 GOS-V2 Stock Set
- TR4 MOD0 - 26 Gear Box Set
- TR4 MOD0 - 27 Detachable Front Sight Set
- TR4 MOD0 - 28 Blow Back Pneumatic Piston Set
- TR4 MOD0 - 29 Charging Plate Set
- TR4 MOD0 - 30 Charging Upper Cover Set
- TR4 MOD0 - 31 Right Selector Cap
- TR4 MOD0 - 32 Wire
- TR4 MOD0 - 33 Rear Sight
- TR4 MOD0 - 34 Handguard Retainer
- TR4 MOD0 - 35 Imitation Gas Tube

▶ You may buy all of the groups' parts from G&G support Dep.  
▶ E-Mail: support@guay2com