

**TOP FIVE**

**FUTURE INNOVATION  
FINEST QUALITY  
FAST SERVICE  
FREE ITEMS  
FAIR PRICE**



**G&G ARMAMENT**  
AIRSOFT GUNS & ACCESSORIES

### Future innovation

G&G always brings you the most innovative products. We not only replicate real steel firearms, but we also push our R&D to develop more features and ergonomic designs to meet the high standards of our customers' demand.

### Finest quality

G&G offers industry leading manufacturer warranty coverage of up to 90 days after the purchase of a G&G gun. We stand behind our quality and test every single rifle before shipment.

### Fast service

We have dedicated and professional employees who work on end users' emails and dealers' inquiries. We have personnel and professionals working daily to ensure all inquiries are responded to in a timely manner. Most warranty claims are dealt with within 24 hours by our customer support department.

### Free items

G&G offers the most variety of free items for our customers, and we continue to release new giveaways frequently. We always offer a variety of promotional materials for events and sponsorships to help and support the Airsoft community.

### Fair price

Customer satisfaction is G&G's main goal. We offer top dollar products to our customers, and we never cut corners to build our products.

### TAIWAN

**Sales Dept.**  
sales@guay2.com , b2b@guay2.com  
**Technology Support Dept.**  
support@guay2.com  
**PR Dept.** pr@guay2.com

**Chang Hua (Headquarter)**  
**Tel :** +886-4-798-9000 **Fax :** +886-4-798-9900  
No.999, Zhonghua Rd. Shengang Township,  
Changhua County 50952, Taiwan (R.O.C.)

**Taipei**  
**Tel :** +886-2-2692-2000 **Fax :** +886-2-2692-4000  
11F-3., No.27, Lane 169, Kangning St. Shijr City,  
Taipei County 22180, Taiwan (R.O.C.)

### U.S.A. (Warehouse)

**Los Angeles**  
**E-mail** sales101@guay2.com  
**Tel :** +1-626-581-0101  
**Fax :** +1-626-581-1011  
1122 Coiner Court,  
City of Industry, CA 91748 (U.S.A.)

Dealer

G2-201301-03-英



**FUTURE INNOVATION  
FINEST QUALITY  
FAST SERVICE  
FREE ITEMS  
FAIR PRICE**



# G1911 / G226 MANUAL

CO2 Powered Pistol Airsoft Gun

**G&G** www.Guay2.com  
**ARMAMENT**



Like Us On

www.facebook.com/ggarmament



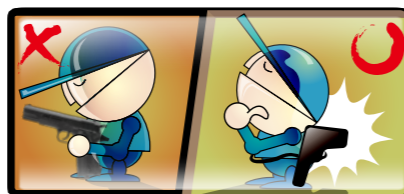
WARNING

- For the best performance and warranty, do not use this product in an environment under 18 degree C.
- Always wear eye protection when playing airsoft.
- Incorrect use may cause injury or death.
- Read the whole manual before using.
- Adult supervision required.

- Never point an Airsoft gun at animals or humans.
- Buyers and users must obey all laws and rules of the local authorities in their area.
- This product is suggested for users 18 years or older.

For more product information please visit our website [www.guay2.com](http://www.guay2.com)

You may be liable for damaging public, personal property, or for injuring a person or an animal. Always observe good manners and enjoy fun sport shooting.



When you carry the air gun, attach the safety cap, set the selector lever to the safety position, and always put the air gun in a case or bag.

Never direct the muzzle towards a person, animal, or in any direction that may cause harm or damage to a third party.



CO2 cartridges may explode at temperatures above 120°F (48.9°C). Do not mutilate or incinerate them. Do not expose them to heat or store CO2 cartridges at temperatures above 120°F (48.9°C).

Safety procedures:  
1. Set the selector lever to the safety position.  
2. Remove the magazine.  
3. Remove the CO2 cartridge.



Select a safe place for operating the air gun and avoid places where people and cars are around.

Looking into the muzzle is extremely dangerous, regardless of having BB's loaded or not. If you get hit in the eye by a BB pellet, worst case scenario, you may lose your eye sight.



Activating the trigger carelessly is extremely dangerous. Never put your finger on the trigger unless the safety cap is removed and you are ready to shoot a target.

When shooting the air gun for target practice or in a game situation, you and all participants must wear safety goggles or other eye protective gear. Please pay attention to ricochets and third parties around you.



Always attach the safety cap to the muzzle, remove the battery, and store the air gun in a case or bag and at a place that is out of reach of children.

There may be cases where some BB's remain in the gun after the magazine has been removed. After removal of the magazine, direct the muzzle towards a safe direction and pull the trigger to confirm that there are no BB's remaining in the gun, then attach the safety cap.



Disassembling or modifying the gun may adversely affect the performance and make it dangerous. It would also void the warranty.

### G1911



Learning the names and parts of your new CO2 Pistol will help you understand the operation. Use this manual to increase your knowledge of the CO2 pistol.

### G226



For more product information please visit our website [www.guay2.com](http://www.guay2.com)

## Selector & Safety

▲ Always keep the pistol "On Safe" until you are ready to shoot.

### Firing Mode

Single Shot : The gun will fire one shot each time when pulling the trigger.

### G1911

### Safety Setting Mode

The trigger cannot be pulled.



### ▲ Warning

- ▶ Never operate the selector switch while pulling the trigger; otherwise, malfunctions may occur.
- ▶ Pulling the trigger with the Selector being set at safe mode may damage the air gun.

### Firing Mode

Single Shot : The gun will fire one shot each time when pulling the trigger.

### G226

### Safety Setting Mode

The trigger cannot be pulled.



## Installing CO2 Cartridge G1911/G226

⚠ Use Only 12 gram CO2 cartridge.

⚠ Keep hands and face away from escaping CO2 gas. It can cause frostbite if allowed to come in contact with skin.



Always point the pistol's muzzle at a safe direction and make sure the safety is set at the "Safety On" position.

1. Press the magazine release.

2. Pull the magazine out of the pistol grip.



3. Install the CO2 cartridge.



4. Turn the puncture screw clockwise to puncture the CO2 cartridge.



5. Insert the magazine into the pistol grip until you hear a 'click'.

## Loading BB Pellets G1911/G226

### G1911/G226



1. Press the magazine release.



2. Pull the magazine out of the pistol grip.



3. Pull the BB guide down to the bottom and hold onto the guide.



4. Load G&G 5.95mm BB pellets into the magazine.



5. Insert the magazine into the pistol grip until you hear a 'click'.

## Aim and Fire

### ⚠ WARNING

Make sure the gun is pointed at a safe target. Once the last BB has been shot from the gun, it is still possible for the trigger to be pulled, but only CO2 will be discharged.



1. Aim at a safe target. Since the CO2 gun will eject a powerful gas force, player should pay extreme attention to target selection and be aware that improper targets would make BB or steel shots rebound from the target.



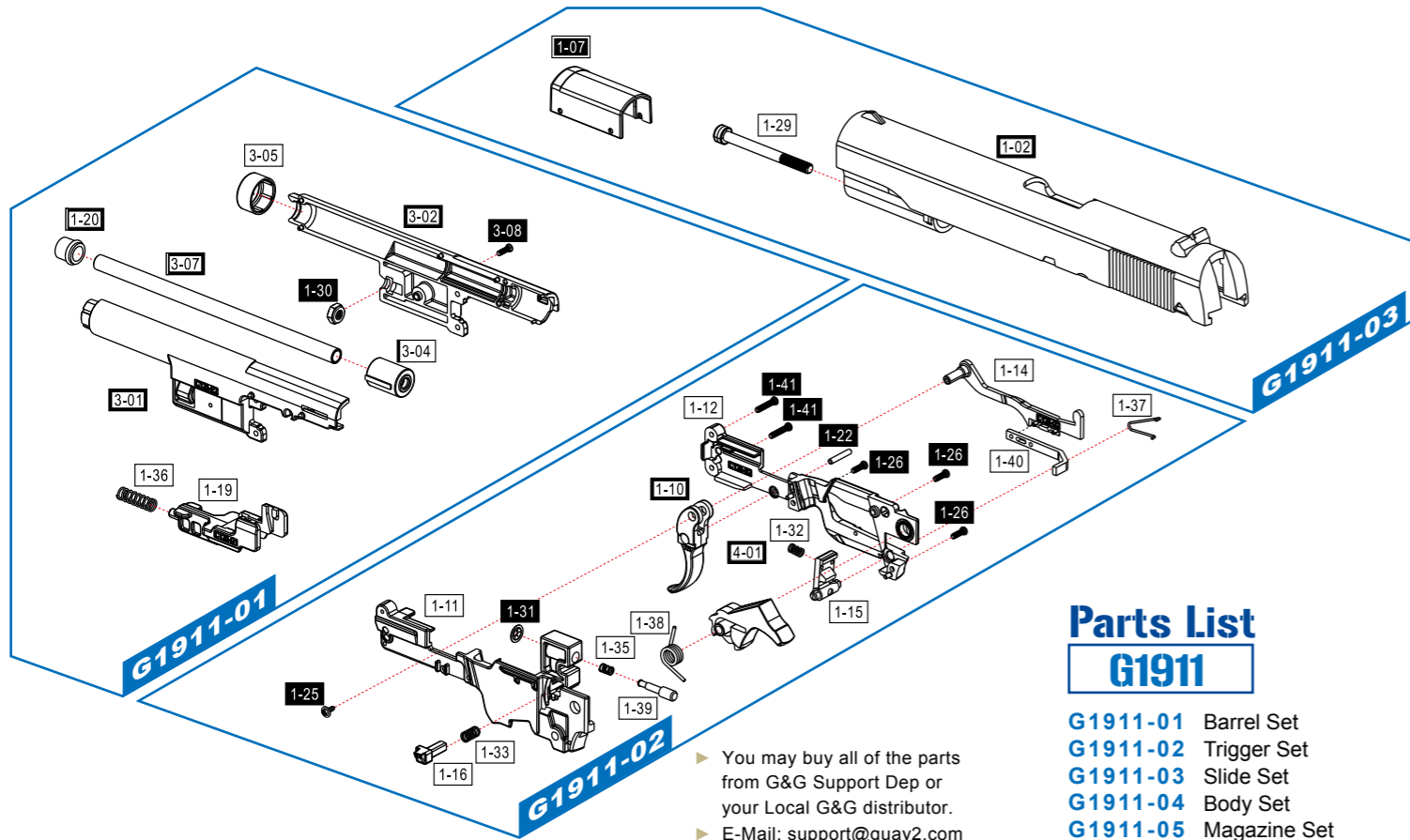
2. When you are certain that the target and the surrounding area is safe, set to firing mode. Pulling the trigger now will fire the gun.



3. Pull the trigger all the way down to shoot.  
4. After shooting is complete, turn on the safety lock.

## Attention ⚠

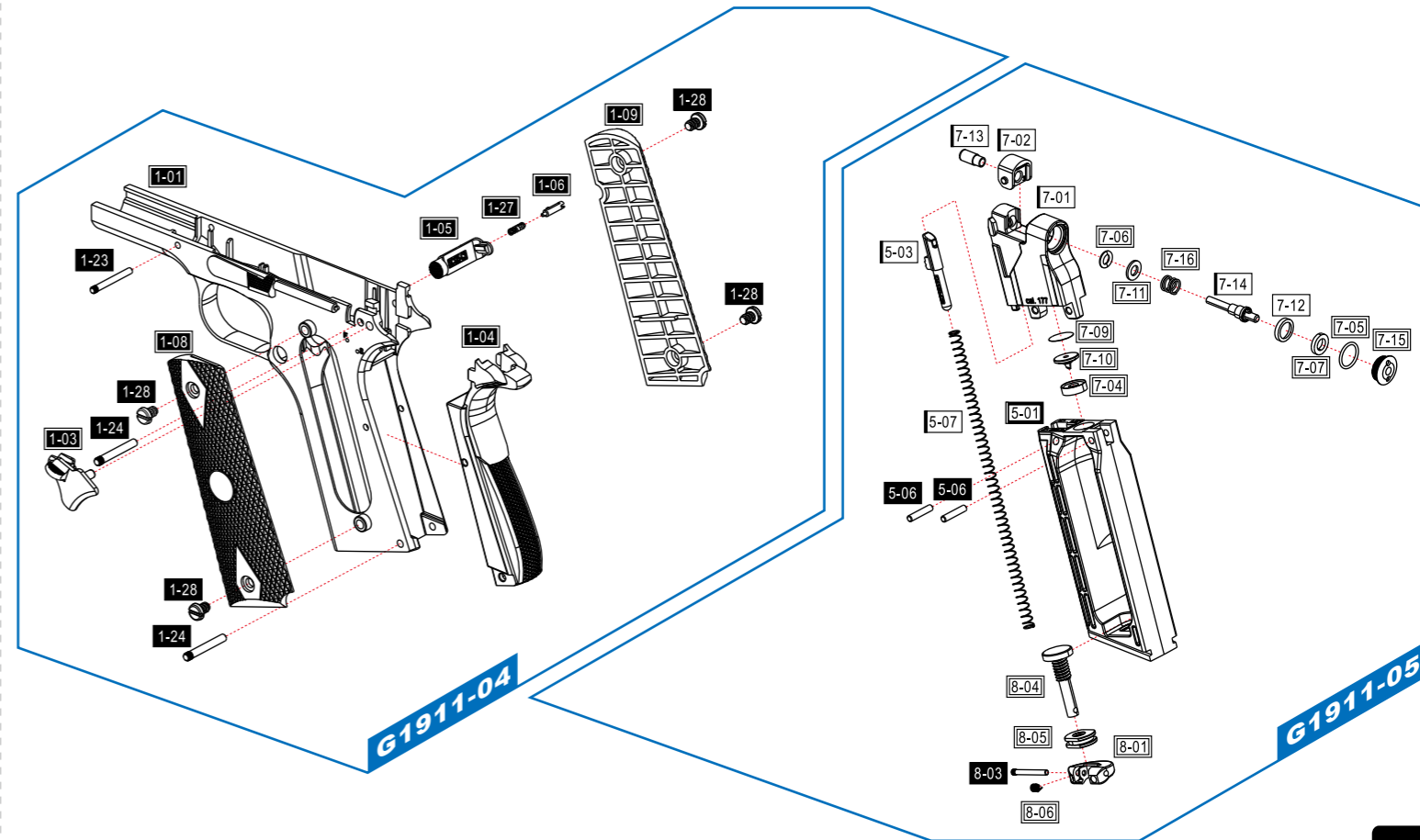
1. If a BB does not fire after completing the operation steps, do not assume that the gun is unloaded. Always point the pistol at a safe direction.
2. After shooting is complete, the gun should be unloaded before storage. To unload the gun, always put the selector on safe mode, remove the CO2 cartridge, and remove the BB's from the magazine.
3. High temperatures can produce pressure in the CO2 cartridge that is considerably higher than the normal operating pressure. Such increased pressure may prevent the pistol from firing and may result in permanent damage to the gun. The maximum operating temperatures can easily be reached if the gun is left directly exposed to the sun; therefore, the user should not expose the pistol to high temperature conditions or direct sunlight for an extended period of time.
4. Rapid firing of the gun will cause temperature reduction in the pistol and CO2 gas. This will lower BB velocities and may even lower the gas pressure causing the pistol not to fire. This condition can be avoided by allowing more time between shots. This permits the gas to increase in temperature and pressure, and produce normal velocities.
5. Care should be exercised to ensure that the gun is not shot with a CO2 cartridge that is low in pressure as a BB may not be expelled from the barrel.
6. A CO2 cartridge contains gas under pressure, whether or not it has been inserted into a gun. If exposed to high temperatures (such as inside of a closed car with direct sunlight), it could explode. Be sure to store all cartridges in a cool place.

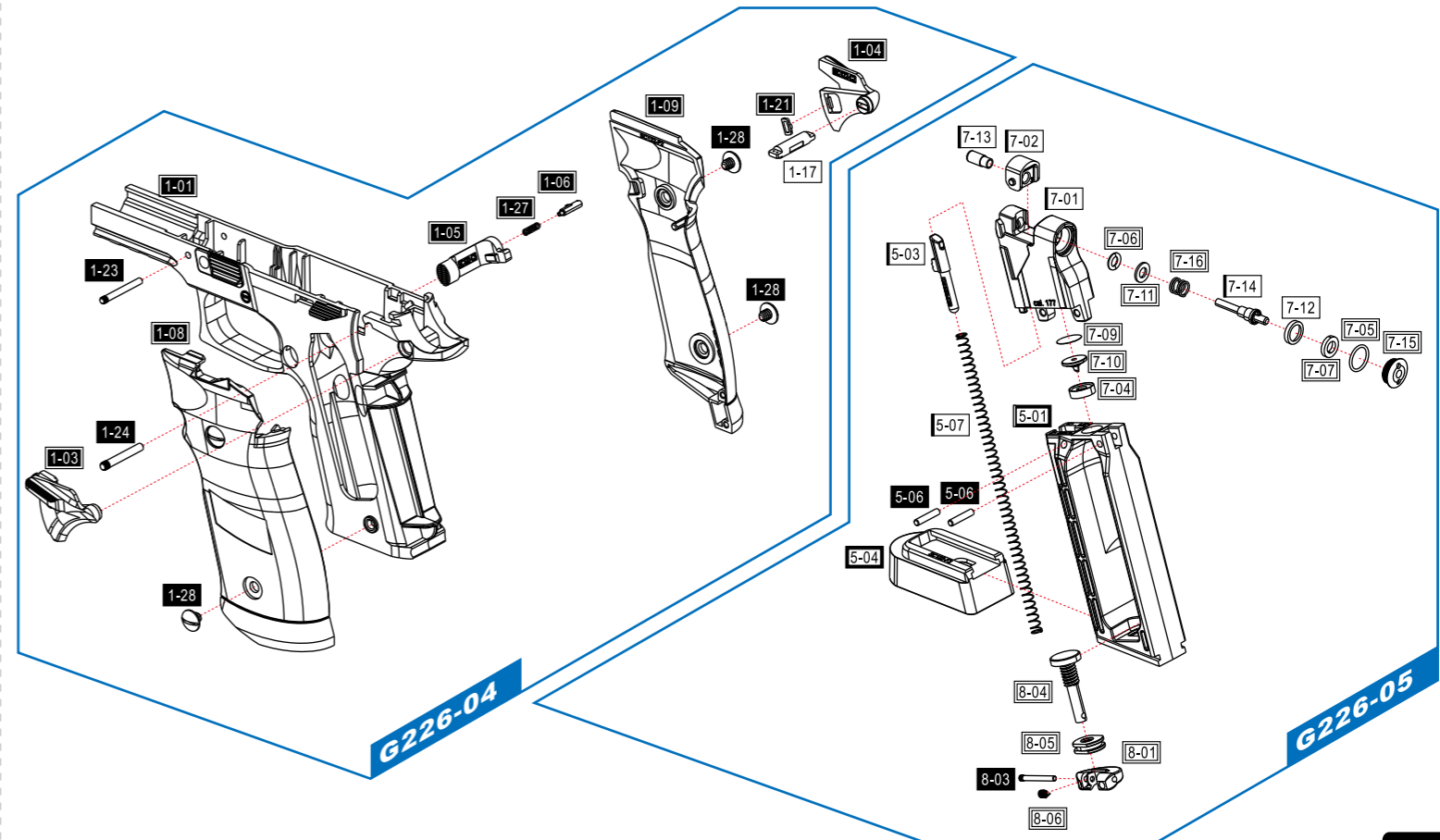
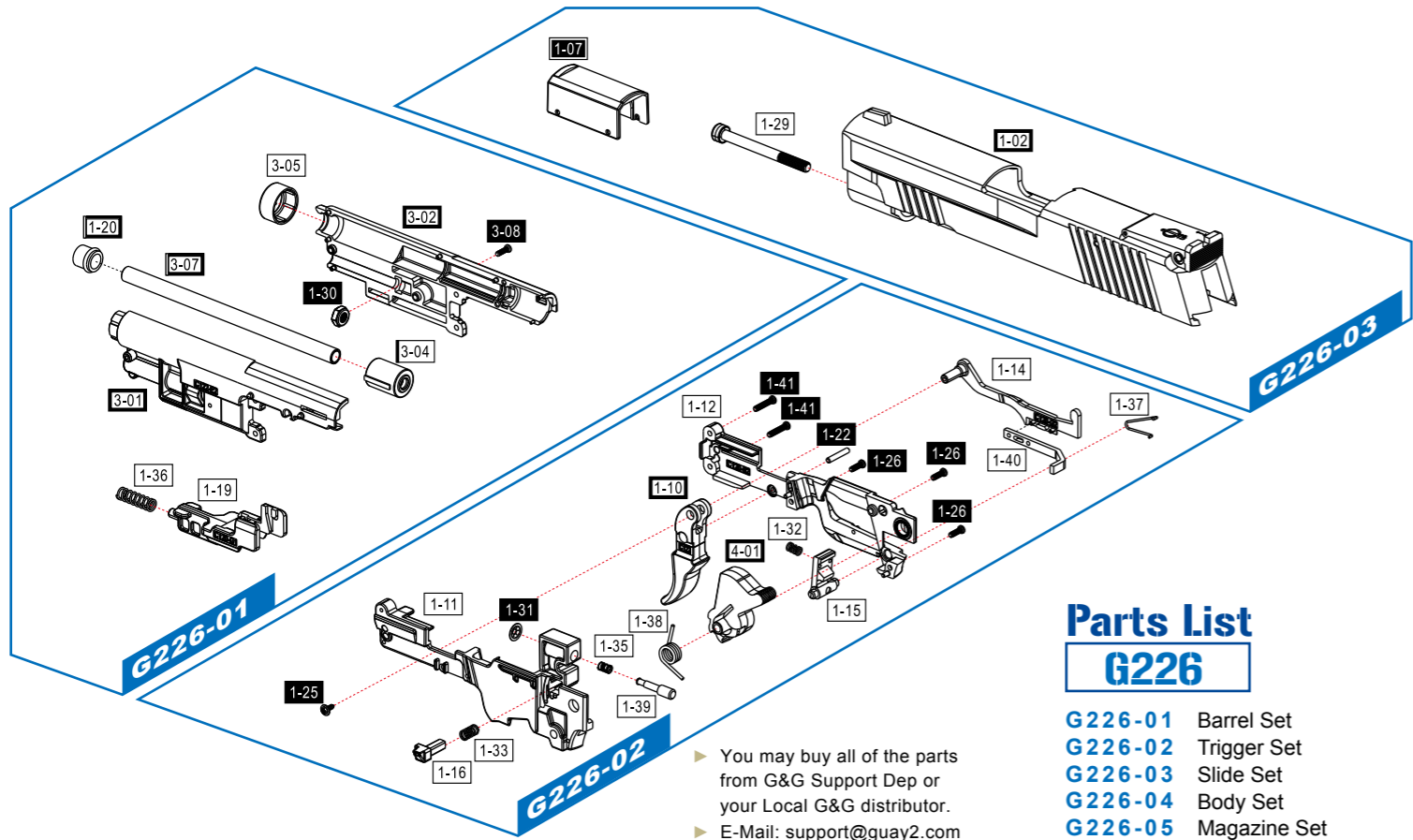


### Parts List G1911

- G1911-01** Barrel Set
- G1911-02** Trigger Set
- G1911-03** Slide Set
- G1911-04** Body Set
- G1911-05** Magazine Set

▶ You may buy all of the parts from G&G Support Dep or your Local G&G distributor.  
 ▶ E-Mail: support@guay2.com





**Parts List  
 G226**

- G226-01** Barrel Set
- G226-02** Trigger Set
- G226-03** Slide Set
- G226-04** Body Set
- G226-05** Magazine Set

- ▶ You may buy all of the parts from G&G Support Dep or your Local G&G distributor.
- ▶ E-Mail: [support@guay2.com](mailto:support@guay2.com)